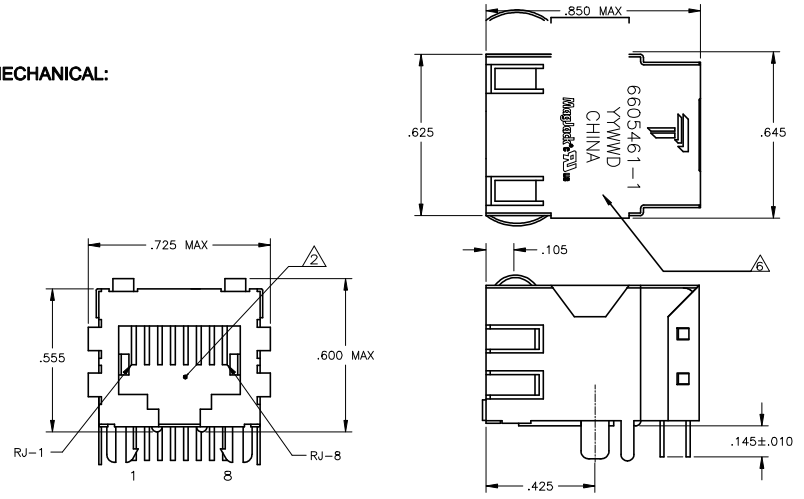


THIS DRAWING AND THE SUBJECT MATTER SHOWN THEREON ARE CONFIDENTIAL AND THE PROPERTY OF BEL/STEWART/TRP CONNECTOR AND SHALL NOT BE REPRODUCED, COPIED, OR USED IN ANY MANNER WITHOUT THE WRITTEN CONSENT OF TRP CONNECTOR.

PRODUCT MAY BE PROTECTED BY ONE OR MORE OF THE FOLLOWING US PATENTS:  
 5736910 5939955 6425781 6428361 6554638 6840817 7123117  
 7429195 7717749 7808751 6217391 6149050 7924130

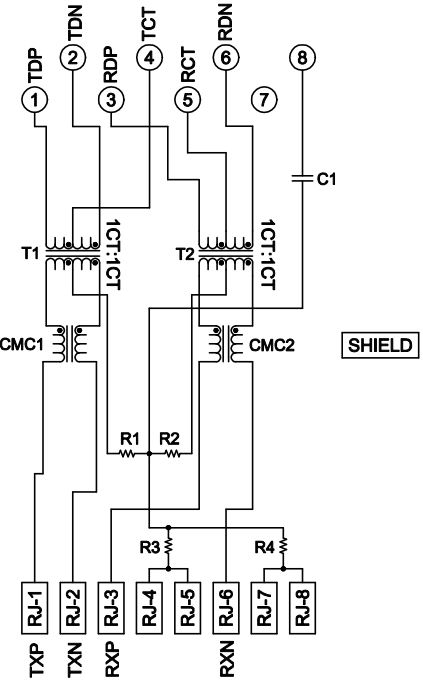
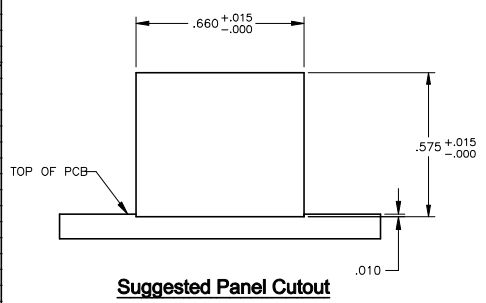
REVISIONS					
REV	DATE	DESCRIPTION	BY	CHK	APP
E	EC-1411035	COMPANY LOGO CHANGE		30DEC2014	ST TL

**MECHANICAL:**

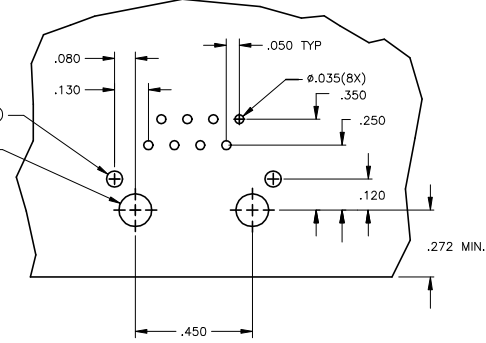
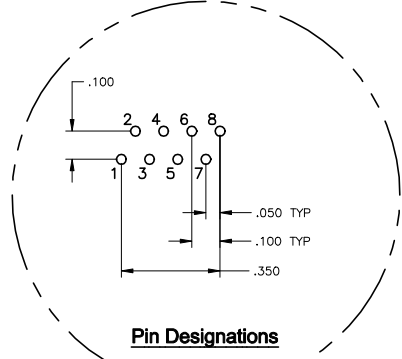


**ELECTRICAL:**

**426P13 MAGNETIC CIRCUIT**



C1 = 1000 pF, 2KV CAPACITOR  
 R1-R4 = 75 OHMS, 1/16 W RESISTORS



- 1 MATERIALS:  
 HOUSING - THERMOPLASTIC PET POLYESTER FLAMMABILITY RATING UL 94V-0.  
 SHIELD - .010" THICK, C26800 BRASS PREPLATED WITH 30μinch SEMI-BRIGHT NICKEL SOLDER TABS POST-DIPPED WITH SAC SOLDER.  
 MOD JACK CONTACTS - .0157" x .018" THICK, PHOSPHOR BRONZE, 50μinch MIN OVERALL NICKEL UNDERPLATE, WITH SELECT 50μinch MIN HARD GOLD FINISH PLATE. SOLDERDETAILS WITH 100μinch MIN MATTE TIN AND/OR SAC SOLDER DIP.
- △ RJ45 JACK CAVITY CONFORMS TO FCC RULES AND REGULATIONS PART 68, SUB PART F.
- △ MAGNETICS:  
 -APPLICATION: 10/100 BASE-T  
 -IMPEDANCE: 100 OHMS  
 -TURNS RATIO (CHIP:CABLE): TX = 1:1, RX = 1:1  
 -OPEN CIRCUIT INDUCTANCE (OCL): 350μH MIN @100kHz, 0.1VRMS, 8mADC BIAS FROM 0°C TO 70°C, TX AND RX  
 -PERFORMANCE @ 25°C:  
 INSERTION LOSS (IL): 1.1dB MAX FROM 0.5MHz TO 100MHz  
 RETURN LOSS (RL): 18dB MIN FROM 0.5MHz TO 30MHz  
 18-20LOG(f/30)dB MIN FROM 30.1MHz TO 60MHz  
 12dB MIN FROM 60.1MHz TO 80MHz  
 CROSSTALK ATTENUATION: 35dB MIN FROM 0.5MHz TO 40MHz  
 33-20LOG(f/50)dB MIN FROM 40.1MHz TO 100MHz  
 COMMON MODE REJECTION RATIO (CMRR): 30dB MIN FROM 0.5MHz TO 100MHz  
 -ISOLATION VOLTAGE: 2250VDC (MAX) FOR 60 SECONDS WITH A RISE TIME OF 500V/SEC.
- 4. OPERATING TEMPERATURE: FROM 0°C TO +70°C.
- △ INDICATED CONNECTIONS ARE FOR NIC CONFIGURATION. THE MAGNETICS ARE SYMMETRIC AND SUPPORT AUTO-MDI/MDIX.
- △ TRP CONNECTOR LOGO, PART NUMBER, DATE CODE, COUNTRY OF ORIGIN AND AGENCY APPROVAL MARKING IN APPROXIMATE LOCATION SHOWN.
- 7. THE PART IS RECOMMENDED FOR WAVE SOLDERING PROCESS, PREHEAT TEMPERATURE IS 120°C TO 160°C, 120 SECONDS TO 180 SECONDS, PEAK SOLDERING TEMPERATURE IS 260 °C MAX, 10 SECONDS MAX.

6605461-1  
 PART NUMBER

THIS DRAWING IS A CONTROLLED DOCUMENT:		REV	C. GILLETTE	SH000009
DIMENSIONS:		DESIGNED BY	C. GILLETTE	SH000009
INCHES		DESIGNED BY	D. HINDENLANG	SH000009
MILS		DESIGNED BY		
1/16" = .0625"		DATE	1X1 426P13 10/100 TAB DOWN W/O LED	
1/32" = .03125"		SIZE		
3/64" = .046875"		CODE		
1/16" = .0625"		DRWG NO	C-6605461	
1/32" = .03125"		DATE		
3/64" = .046875"		BY		
1/16" = .0625"		CHK		
1/32" = .03125"		APP		
3/64" = .046875"		CUSTOMER DRAWING		
1/16" = .0625"		SCALE	NTS	
1/32" = .03125"		SHEET	1	
3/64" = .046875"		REV		
1/16" = .0625"				