



The engineer's choice

ebmpapst

8506 VW-691

INDEX

1	General	3
2	Mechanics	3
2.1	GENERAL	3
2.2	CONNECTIONS.....	4
3	Operating Data	5
3.1	ELECTRICAL OPERATING DATA.....	5
3.2	OPERATING DATA - ELECTRICAL INTERFACE -OUTPUT.....	6
3.3	ELECTRICAL FEATURES.....	6
3.4	AERODYNAMIC.....	6
3.5	SOUND DATA.....	7
4	Environment	8
4.1	GENERAL	8
4.2	CLIMATIC REQUIREMENTS*).....	8
5	Safety	9
5.1	ELECTRICAL SAFETY	9
5.2	APPROVAL TESTS	9
6	Reliability	9
6.1	GENERAL	9

1 General

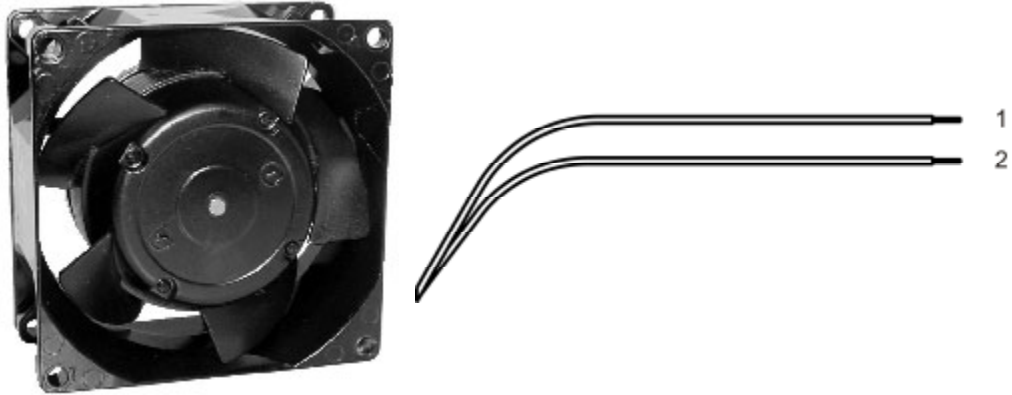
Fan type	Fan
Rotational direction looking at rotor	clockwise
Airflow direction	Air outlet over struts
Bearing system	Ball bearing
Mounting position	any
Balancing grade	2,5

2 Mechanics**2.1 General**

Width	80,0 mm	
Height	80,0 mm	
Depth	38,0 mm	
Diameter	0,0 mm	
Weight	0,490 kg	
Housing material	Metal	
Impeller material	Metal	
Max. torque when mounted across both mounting flanges	wire outlet corner: 50 Ncm remaining corners: 120 Ncm	
Screw size	ISO 4762 - M4 degreased, without an additional brace and without washer	

2.2 Connections

Electrical connection	Wires	
Length of lead wire	L = 1.530,0 mm	
Tolerance	+/- 20,0 mm	
Length of tube	see drawing	
Tolerance		
Wire gauge (AWG)	18	
Insulation diameter	2,06 mm	
Plug	see drawing	
Contact	see drawing	



	Colour	Operation
Wire 1	black	L
Wire 2	white	N

3 Operating Data

3.1 Electrical Operating Data

Measurement conditions: Normal air density = 1,2 kg/m³; Temperature 23°C +/- 3°C; Motor axis horizontal; warm-up time before measuring 5 minutes (unless otherwise specified).
In the intake and outlet area should not be any solid obstruction within 0,5 m.

$\Delta p = 0$: corresp. to free air flow (see section 3.4)

I: corresp. to RMS line current

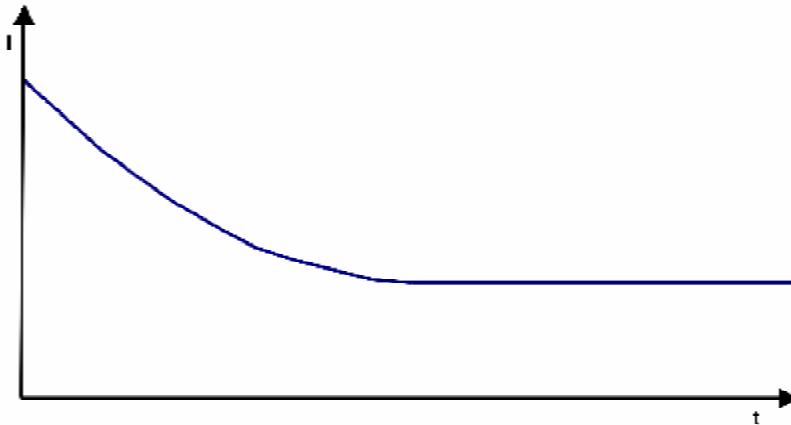
Features	Condition	Symbol	Values	
Frequency	$\Delta p = 0$	f	50 Hz	60 Hz
Nominal voltage Tolerance	$\Delta p = 0$	U_N	115,0 V +/- 10,0 %	115,0 V +/- 10,0 %
Power consumption Tolerance	$\Delta p = 0$	P	12,0 W + 5,0 % - 10,0 %	11,0 W + 5,0 % - 10,0 %
Speed Tolerance	$\Delta p = 0$	n	2.800 1/min +/- 3,0 %	3.300 1/min +/- 3,0 %

3.2 Operating Data - Electrical Interface -Output

Tacho type	None
------------	------

3.3 Electrical Features

Locked rotor protection	Impedance
Locked rotor current at U_n	



3.4 Aerodynamic

Measurement conditions: Measured with a double chamber intake rig acc. to DIN EN ISO 5801.
 Normal air density = 1,2 kg/m³; Temperature 23°C +/- 3°C;
 In the intake and outlet area should not be any solid obstruction within 0,5 m.
 The information is only valid under the specified test conditions and may be changed by the installation conditions. If there are deviations from the standard test conditions, the characteristic values must be checked under the installed conditions.

a.) Operation condition:

2.800 1/min at free air flow Frequency: 50 Hz

Max. free-air flow ($\Delta p = 0 / \dot{V} = \text{max.}$)	44,0 m ³ /h
Max. static pressure ($\Delta p = \text{max.} / \dot{V} = 0$)	43 Pa

b.) Operation condition:

3.300 1/min at free air flow Frequency: 60 Hz

Max. free-air flow ($\Delta p = 0 / \dot{V} = \text{max.}$)	53,0 m ³ /h
Max. static pressure ($\Delta p = \text{max.} / \dot{V} = 0$)	60 Pa

3.5 Sound Data

Measurement conditions: Sound pressure level: 1 Meter distance between microphone and the air intake.
 Sound power level: Acc. to DIN 45635 part 38 (ISO 10302)
 Measured in a semianchoic chamber with a background noise level of $L_p(A) < 5 \text{ dB(A)}$
 For further measurement conditions see section 3.4

a.) Operation condition:

2.800 1/min at free air flow

Frequency: 50 Hz

Optimal operating point	38,0 m ³ /h @ 7 Pa	
Sound power level at the optimal operating point	4,8 bel(A)	
Sound pressure level at free air flow, measured in rubber bands	31,0 dB(A)	

b.) Operation condition:

3.300 1/min at free air flow

Frequency: 60 Hz

Optimal operating point	46,0 m ³ /h @ 10 Pa	
Sound power level at the optimal operating point	5,2 bel(A)	
Sound pressure level at free air flow, measured in rubber bands	35,0 dB(A)	

4 Environment

4.1 General

Min. permitted ambient temperature TU min.	-40 °C / 50 Hz -40 °C / 60 Hz	
Max. permitted ambient temperature TU max.	90 °C / 50 Hz 95 °C / 60 Hz	
Min. permitted storage temperature TL min.	-40 °C	
Max. permitted storage temperature TL max.	100 °C	

4.2 Climatic requirements *)

Humidity requirements	humid heat, constant; according to DIN EN 60068-2-78, 14 days	
Water exposure	None	
Radiation exposure	None	
Dust requirements	None	
Salt fog requirements	None	
Harmful gas requirements	None	

*) Permitted application area:

The product is intended for use in sheltered rooms with controlled temperature and controlled humidity. Directly exposure to water must be avoided.

Pollution degree 1 (according DIN EN 60664-1)

There is either no pollution or it occurs only dry, non-conductive pollution. The pollution has no negative impact.

5 Safety

5.1 Electrical Safety

Dielectric strength DIN EN 60950 (VDE 0805) and DIN EN 60335 (VDE 0700) A.) Type test Measuring conditions: After 48h of storage at 95% R.H. and 25°C. No arcing or breakdown is allowed! All connections together to ground. B.) Routine test Measuring conditions: At indoor climate. No arcing or breakdown is allowed! All connections together to ground.	1000 VAC / 1 Min. 1500 VAC / 1 Sec.
Isolation resistance Measuring conditions: After 48h of storage at 95% R.H. and 25°C measured with U=500 VDC for 1 min.	RI > 50 MOhm
clearance / creepage distance	2,0 mm / 1,1 mm
Protection class	I

5.2 Approval Tests

CE	Yes
UL	Yes / UL507, Electric Fans
VDE	Yes / Approval acc. to EN 60950 (VDE 0805) - Information technology equipment
CSA	Yes / C22.2 No. 113 Fans and Ventilators
CCC	Yes / GB 12350 Safety Requirements for small Power Motors

The approval tests are observed to:

U approval max.: 115 V / f: 60 Hz @ TU approval max.: 95 °C

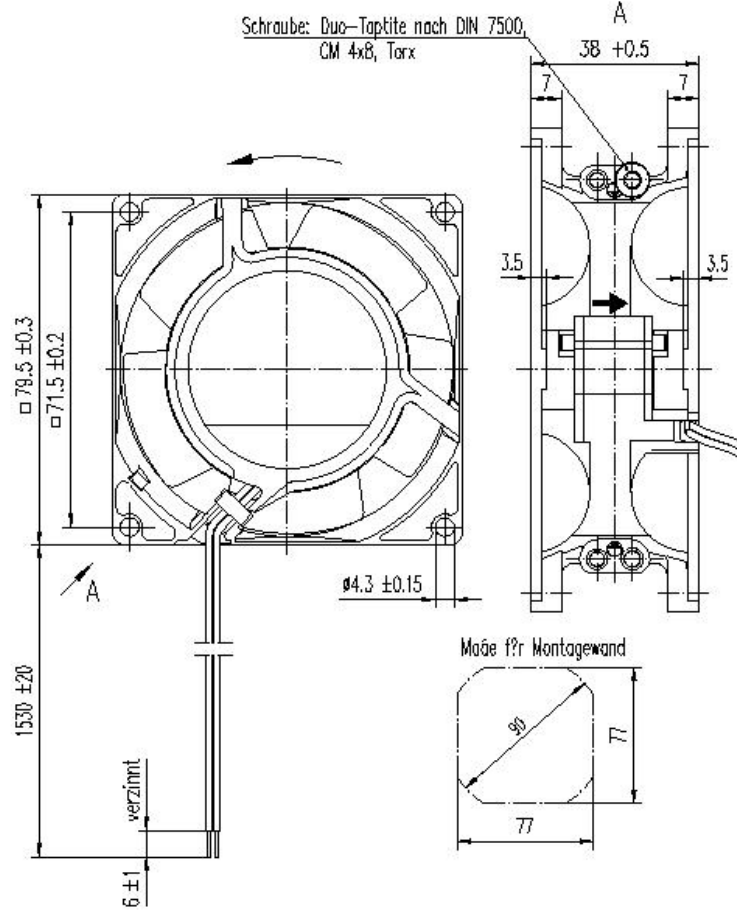
6 Reliability

6.1 General

Life expectancy L10 at TU = 40 °C	52.500 h / 50 Hz 55.000 h / 60 Hz	
Life expectancy L10 at TU max.	15.000 h / 50 Hz 15.000 h / 60 Hz	

Copies of this document, and giving it to others and the use or communication of
 the contents hereof, are forbidden without express authority. Violation can lead to
 the payment of damages. All rights are reserved. In the event of the grant of a
 patent or the registration of a utility model or design.

Schutzmerk nach DIN 34 besetzen



Axialspiel bei
 Kugellagerung (K) : Ø (mit Federausgleich)
 Gleitlagerung (G) : 0.1 - 0.6

516
240
235
232
210
082

Allgemeinkennzeichen		gRt ffr: 924 4014 690(K) 8556VW-690 924 4014 691(K) 8506VW-691	
Tolerierung DIN 7187	Lithymaße: Winkel, Form u. Lage: DIN ISO 2768-mK		
	Datum	Name	Artikel
	Erstellt: 27.05.97	Kieninger	Axialflüter
	Geprf: 08.06.97	Koletzki M.	
	PAPST		Zchg.-Nr.
	PAPST-MOTOREN GmbH & Co KG D-78112 St. Georgen Germany		924 4014 690
Zur Verwendung im Verteiler freigegeben von Koletzki M. am 09.06.97		Ers.f.Zchg: K 3,924\4014\	
		Blatt 2	

+