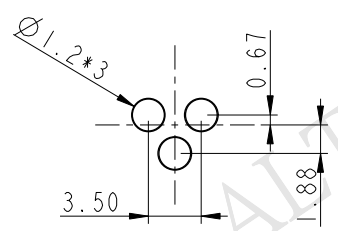
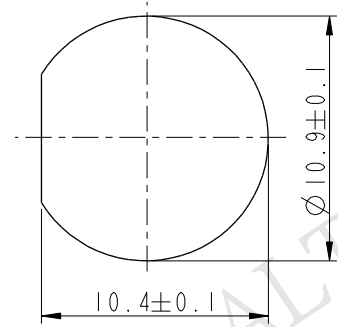


THIS DOCUMENT IS SUBJECT TO CHANGE WITHOUT NOTICE. IT IS CONFIDENTIAL AND A PROPERTY OF Amphenol LTW. DISCLOSURE TO THIRD PARTY HAS TO BE AUTHORIZED BY Amphenol LTW.

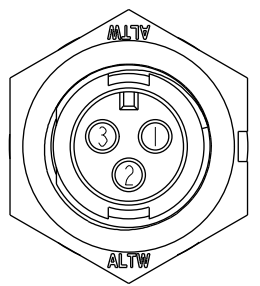
REV.	ECN NO.	DATE	SIGN	DESCRIPTION
B	LEN-750108	2007/04/23	A.F. Valentino	Changed Precision Of Dimensions And Applied New Format
C	LEN-8A0134	2008/09/15	Shin	Add Notes
D	LEN1640065	2016/03/30	Vicky	Update Logo



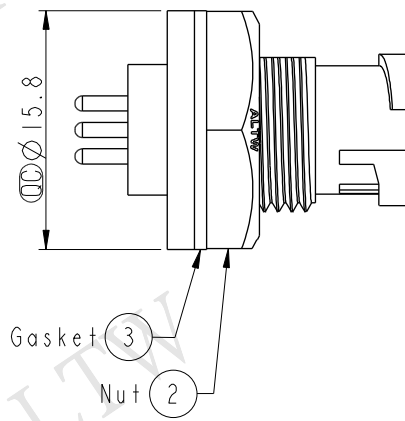
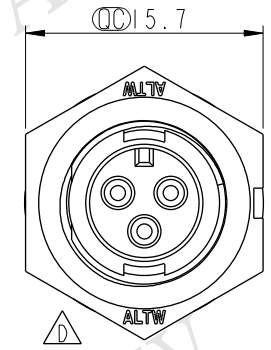
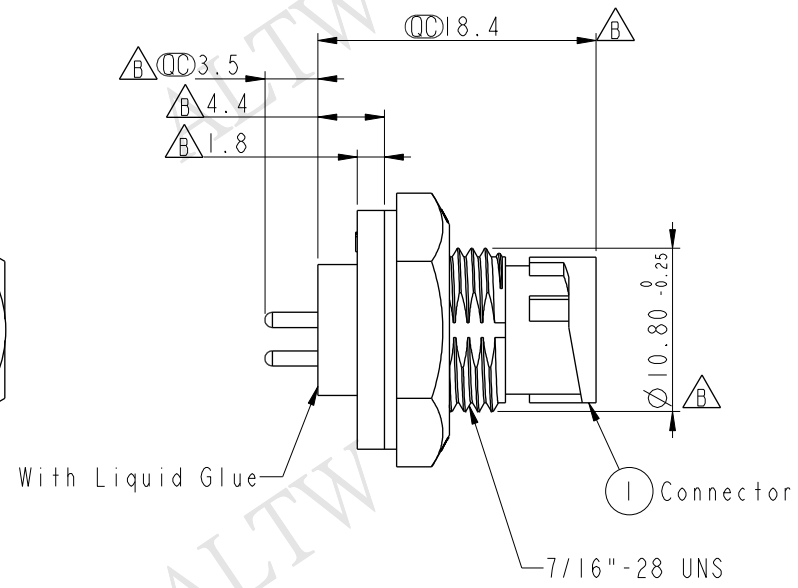
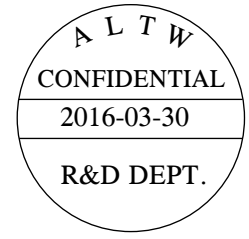
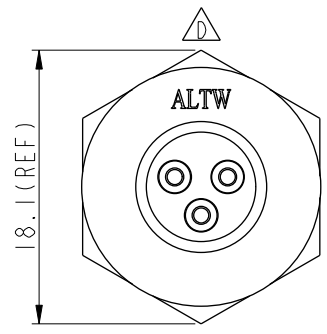
PCB Layout



Recommended Panel Cut-Out



Pin Assignments Front View



- Note:
- \*  $\varnothing$  Important Dimension
  - \* Waterproof Rate: IP67
  - \* Housing: Nylon+GF, Black
  - \* Male Pin: Copper Alloy, Gold Plated
  - \* Nut: Nylon+GF, Black
  - \* Gasket: EPDM, Black
  - \* Use with waterproof cap or dust cap  
Panel thickness max: 2.5mm
  - \* Use without waterproof cap or dust cap  
Panel thickness max: 3.5mm

UNIT:mm	
TOLERANCE	
.X	±0.25
.XX	±0.1
.XXX	±0.05
ANGLES	±1°

TITLE Mini Panel Lock 3Pin M Conn. M Pin			
SCALE 2:1	SIZE A4	SHEET 1 OF 1	
REV. D	WC-REV. A.1	$\varnothing$ : Inspection item	

**Amphenol LTW**  
安費諾亮泰企業股份有限公司

ITEM NO. AD-03PMMP-LC7001	DRAWN BY Vicky	DATE 2016-03-30
DWG NO. AD-03PMMP-LC7001	CHECKED BY Rita	DATE 2016-03-30
CUSTOMER ALTW	APPROVED BY Lisa	DATE 2016-03-30

