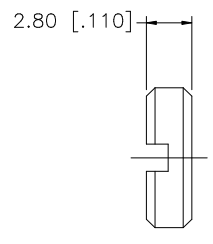
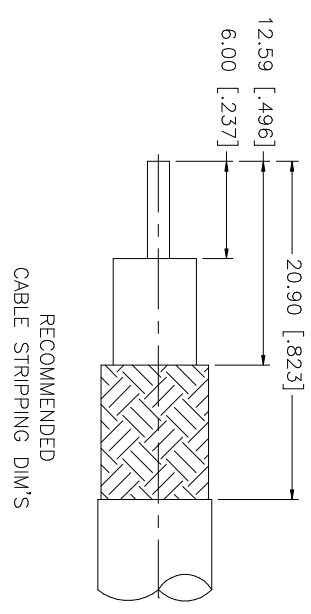
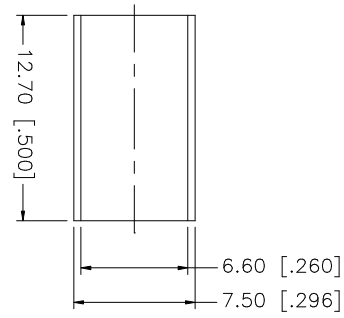
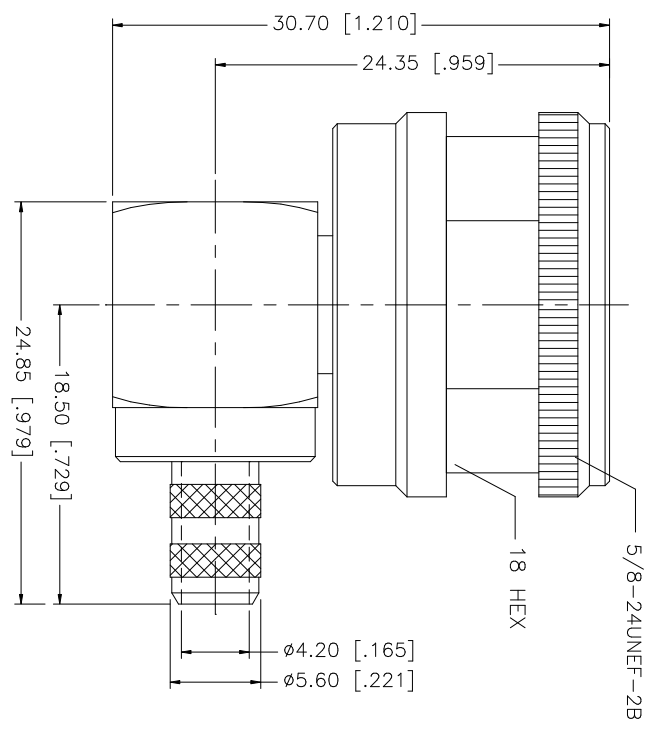


REV.	DATE	DESCRIPTION
NC	07/10/06	INITIAL RELEASE



- NOTES:
1. CRIMPED FERRULE HEX CRIMP SIZE. 255"
 2. CONTACT PIN TO SOLDER.

QTY	DESCRIPTION	MATERIAL	FINISH	QTY	DO NOT SCALE DRAWING	APPROVALS	DATE	PART DESCRIPTION	DWG. NO.	REV.	NC	SIZE	SCALE
1	FERRULE	COPPER	NEXCOTE	1				Amphenol Connex N R/A CRIMP PLUG - HEX COUPLING NUT (FOR RG-LMR240, 8X CABLE)	172219-10.DWG	NC	A	NA	
1	NUT	BRASS	NEXCOTE	1									
1	CONTACT PIN	BRASS	GOLD	1									
1	INSULATOR	TEFLON	NATURAL	1									
1	BODY	BRASS	NEXCOTE	1									
UNLESS OTHERWISE SPECIFIED DIMENSIONS ARE INCHES AND FOR CUSTOMER REFERENCE ONLY. TOLERANCES FOR MILLIMETERS ARE: 0.5 - 8mm ± 0.20mm 8 - 30mm ± 0.40mm 30 - 120mm ± 0.50mm UNLESS OTHERWISE SPECIFIED DIMENSIONS FOR INCHES ARE: .020 - .315 = ± 0.007" .315 - 1.180 = ± 0.015" 1.180 - 4.724 = ± 0.020"						CAD FILE	C:/172/172219-10.DWG						