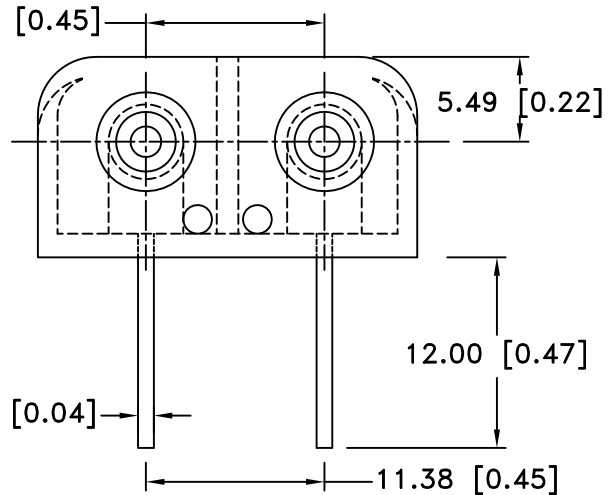
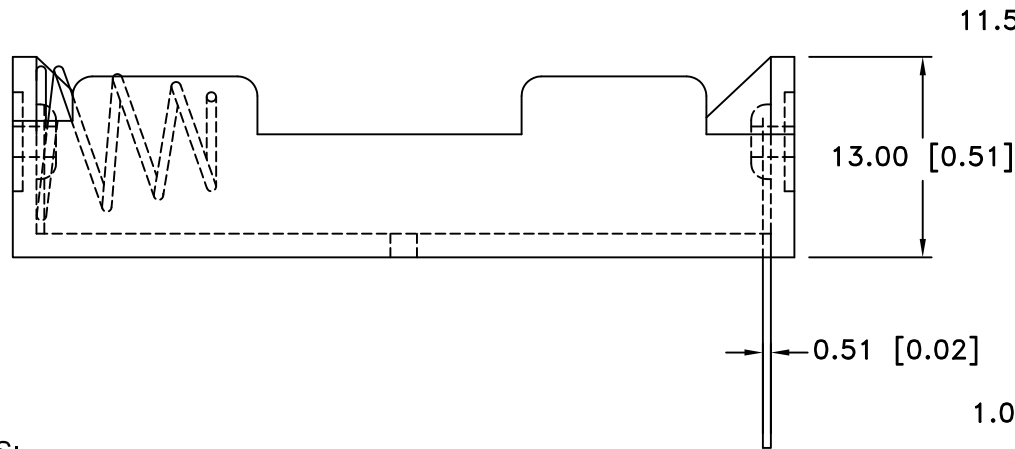
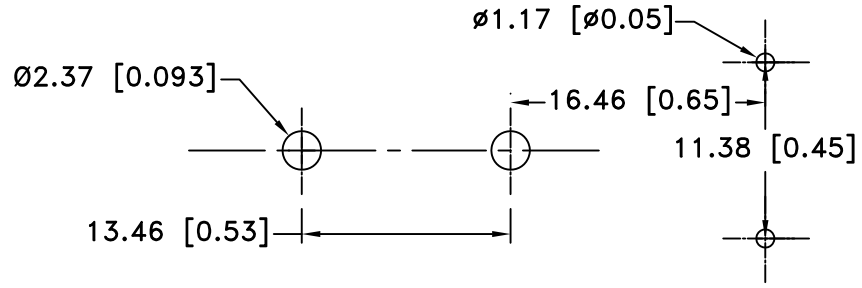
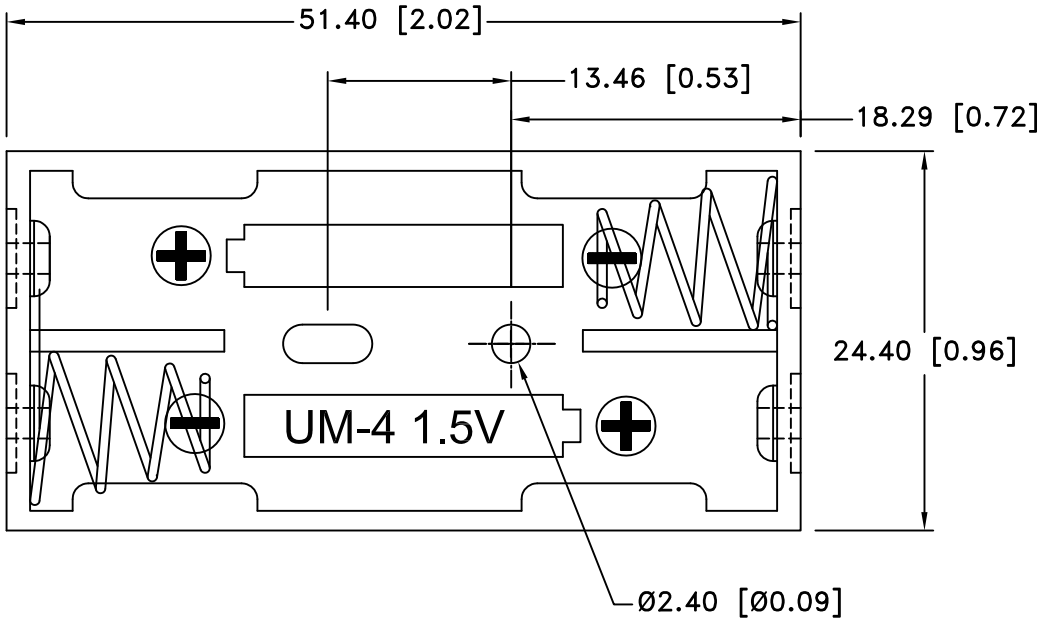


Date	SYM	REVISION RECORD	AUTH	DR.	CK.
3/26/10	F	DIM. 51.40 WAS 51.56 DIM. 24.40 WAS 24.51 DIM. 13.00 WAS 12.7 DIM. Ø2.40 WAS Ø2.49	T.B.	B.S.	
4/16/10	F	DIM. Ø2.40 WAS 1 PLACE DIM. 13.30 WAS 14.22	T.B.	B.S.	
07/29/11	G	DIM. Ø2.40 WAS 2 PLACE	T.B.	B.S.	




NOTES:

1. MATERIAL:

HOUSING : BLACK POLYPROPYLENE
 FLAMMABILITY RATING -UL94-HB, UL FILE NO. E216959
 TEMPERATURE RANGE: -10°C to +100°C
 RIVETS: BRASS, NICKLE PLTD.
 SPRING: SPRING STEEL, NICKLE PLTD.
 CONTACTS: SPRING STEEL, NICKLE PLTD.
 CONTACT RESISTANCE: UNDER 50mΩ FOR +/- CONTACTS PER
 EIA-540J000

ROHS COMPLIANT

Tolerance (Except as noted)	 Memory Protection Devices, Inc 200 Broad Hollow Road, Farmingdale, New York 11735	Scale	Drawn By B.S.
			Approved By T.B.
decimal ±.5 (.020)	Title TWO "AAA" CELL HOLDER	Date 07/29/11	
Fractional ± .8 (.030)		Drawing Number BC2AAAPC	
Angular ± 3°			