

THE INFORMATION CONTAINED HEREIN IS CONSIDERED "PROPRIETARY" TO BEL FUSE INC. AND SHALL NOT BE COPIED, REPRODUCED OR DISCLOSED WITHOUT THE WRITTEN APPROVAL OF BEL FUSE INC.

RoHS
2002/95/EC



ELECTRICAL CHARACTERISTICS @ 25°C

OPERATING TEMPERATURE RANGE: 0°C TO +70°C

- 1.0 TURNS RATIO: (P3-P2):(J2-J1) : 1CT:1CT±3%
- (P5-P4):(J6-J3) : 1CT:1CT±3%
- (P7-P6):(J5-J4) : 1CT:1CT±3%
- (P9-P8):(J8-J7) : 1CT:1CT±3%

- 2.0 INDUCTANCE: (P3-P2):(P5-P4) : 350uH MIN. @ 0.1V, 100kHz, 8mA DC BIAS
- (P7-P6):(P9-P8) : 350uH MIN. @ 0.1V, 100kHz, 8mA DC BIAS

- 3.0 LEAKAGE INDUCTANCE: P3-P2(WITH J2 AND J1 SHORT) : 0.3uH MAX. @ 1 MHz
- P5-P4(WITH J6 AND J3 SHORT) : 0.3uH MAX. @ 1 MHz
- P7-P6(WITH J5 AND J4 SHORT) : 0.3uH MAX. @ 1 MHz
- P9-P8(WITH J8 AND J7 SHORT) : 0.3uH MAX. @ 1 MHz

- 4.0 INTERWINDING CAPACITANCE: (P3-P2):(J2-J1) : 85pF MAX @ 1MHz
- (P5-P4):(J6-J3) : 85pF MAX @ 1MHz
- (P7-P6):(J5-J4) : 85pF MAX @ 1MHz
- (P9-P8):(J8-J7) : 85pF MAX @ 1MHz

- 5.0 DC RESISTANCE:(J6-J3)=(J2-J1)=(J4-J5)=(J7-J8) : 1.2 OHMS MAX

- 6.0 RETURN LOSS:1MHz TO 30MHz : 18dB MIN.
- 30MHz TO 80MHz : 12-20 LOG($\frac{F}{80MHz}$)

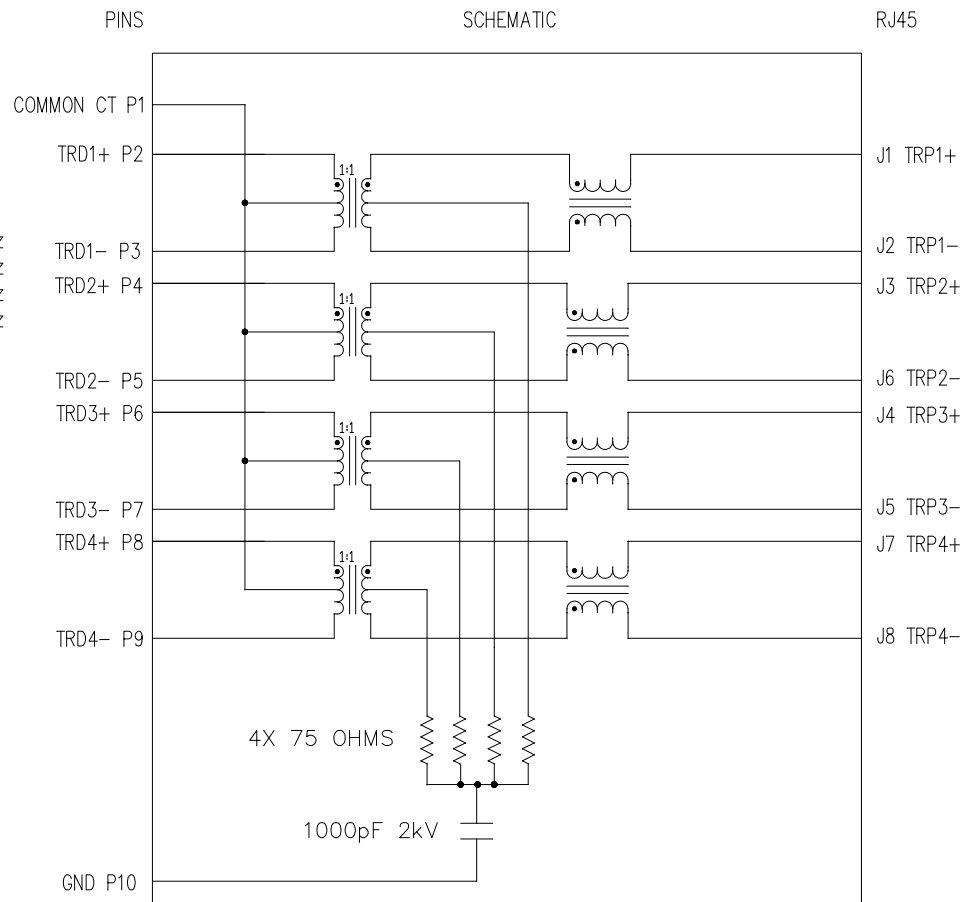
- 7.0 DIELECTRIC WITHSTAND:(J1,J2) TO (P2,P3) ; (J5,J4) TO (P6-P5) : 1500 Vrms
- (J3,J6) TO (P7,P4) ; (J8,J7) TO (P9, P8) : 1500 Vrms

- 8.0 INSERTION LOSS:RS=RL=100 ohms
- 100kHz TO 100MHz : 1.1 dB MAX

- 9.0 RISE TIME:RS=100 OHMS AND RL = 100 OHMS
- OUTPUT VOLTAGE = 1 V peak : 3.0 nS MAX
- PULSE WIDTH= 112nS : 3.0 nS MAX

- 10.0 CROSS TALK:1-60 MHz : 35 dB MIN
- 60-100 MHz : 25 dB MIN

- 11.0 COMMON TO COMMON MODE ATTENUATION:1MHz TO 100MHz : 35dB TYP



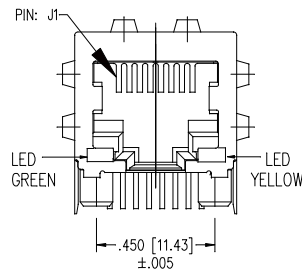
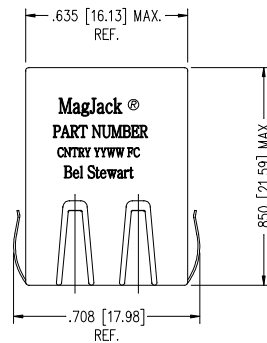
NOTES: PINS WITHOUT ELECTRICAL CONNECTION ARE OMITTED.

ORIGINATED BY	DATE	TITLE	PART NO. / DRAWING NO.	STANDARD DIM.	[] METRIC DIM. AS REFERENCE	
Bain Liu	10-21-08	MagJack® 10/100/1000BT TAB DOWN, SHIELDED	SI-61001-F	TOL. IN INCH	UNIT : INCH [mm]	REV. : B
DRAWN BY	DATE		FILE NAME	.X	SCALE : N/A	SIZE : A4
L.W. Yuan	10-21-08		SI-61001-F.DWG	.XX		PAGE : 1
				.XXX	±0.005	

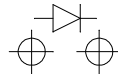


THE INFORMATION CONTAINED HEREIN IS CONSIDERED "PROPRIETARY" TO BEL FUSE INC. AND SHALL NOT BE COPIED, REPRODUCED OR DISCLOSED WITHOUT THE WRITTEN APPROVAL OF BEL FUSE INC.

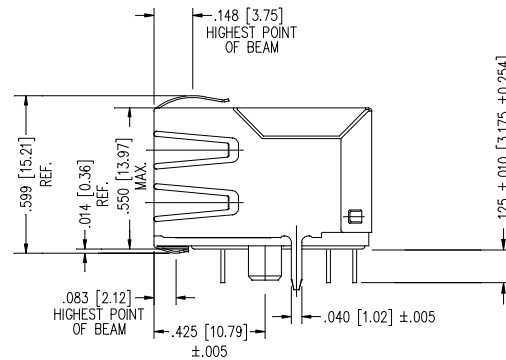
RoHS
2002/95/EC



LED POLARITY
(ENLARGED VIEW)

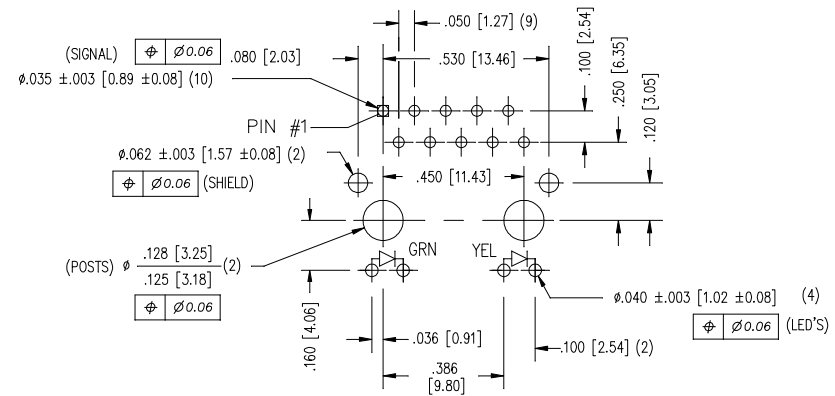


SINGLE COLOR LED



LED SPECIFICATION			
STANDARD LED	WAVELENGTH	FORWARD V (MAX)	* (TYP)
GREEN	565 nm	2.5 V	2.2 V
YELLOW	590 nm	2.5 V	2.1 V

*WITH A FORWARD CURRENT OF 20 mA (TYP)



P.C.B. RECOMMENDED HOLE LAYOUT
SEEN FROM COMPONENT SIDE

ALL CENTERLINE DIMENSIONS ARE BASIC.

NOTES:

- CONNECTOR MATERIALS:
HOUSING: THERMOPLASTIC UL94 V-0
CONTACT/SHIELD: COPPER ALLOY
SHIELD PLATING: NICKEL OR TIN
CONTACT PLATING: SELECTIVE GOLD,
50 MICRO-INCHES MIN. IN CONTACT AREA.
- PIN NOT ELECTRICALLY CONNECTED MAYBE OMITTED.
SEE ELECTRICAL DRAWING FOR OMITTED PINS.
- TOLERANCES COMPLY WITH F.C.C. DIMENSION REQUIREMENTS.
- ALL TOLERANCES NOT OTHERWISE SPECIFIED TO BE ±.005 [0.13]
- REFLOW AND WAVE SOLDER COMPATIBLE-260°C FOR 10 SECONDS MAX.

ORIGINATED BY Bain Liu	DATE 10-21-08
DRAWN BY L.W. Yuan	DATE 10-21-08

TITLE MagJack® 10/100/1000BT TAB DOWN, SHIELDED

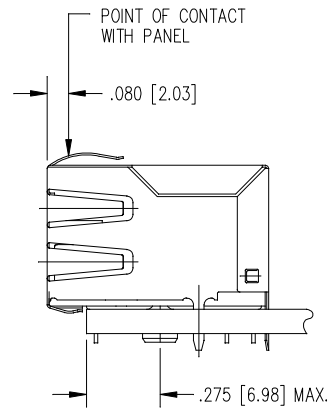
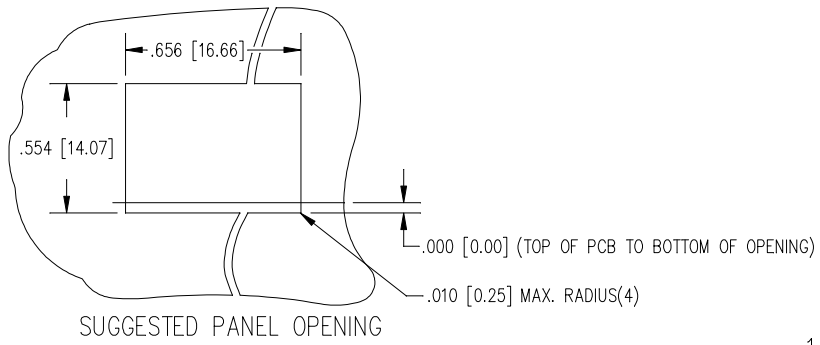
PART NO. / DRAWING NO. SI-61001-F
FILE NAME SI-61001-F.DWG

STANDARD DIM. TOL. IN INCH
.X
.XX
.XXX ±0.005

[] METRIC DIM. AS REFERENCE
UNIT : INCH [mm]
SCALE : N/A
REV. : B
SIZE : A4
PAGE : 2



THE INFORMATION CONTAINED HEREIN IS CONSIDERED "PROPRIETARY" TO BEL FUSE INC. AND SHALL NOT BE COPIED, REPRODUCED OR DISCLOSED WITHOUT THE WRITTEN APPROVAL OF BEL FUSE INC.



1. THE SUGGESTED PANEL OPENING IS INTENDED TO GIVE THE USER THE ABILITY TO HAVE REASONABLE JACK / PANEL CLEARANCES YET MAINTAIN RELIABLE GROUNDING CAPABILITY.
2. ALL TOLERANCES NOT OTHERWISE SPECIFIED TO BE ± 0.005 [0.13]

ORIGINATED BY Bain Liu	DATE 10-21-08	TITLE MagJack® 10/100/1000BT TAB DOWN, SHIELDED	PART NO. / DRAWING NO. SI-61001-F	STANDARD DIM. TOL. IN INCH	[] METRIC DIM. AS REFERENCE		bel COMPONENTS FOR A CONNECTED PLANET
DRAWN BY L.W. Yuan	DATE 10-21-08		FILE NAME SI-61001-F.DWG	.X .XX .XXX	UNIT : INCH [mm] SCALE : N/A ±0.005	REV. : B SIZE : A4 PAGE : 3	