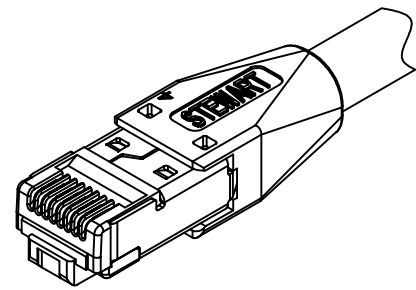
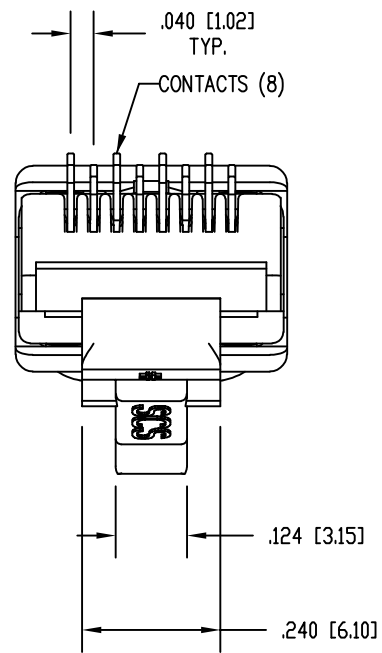
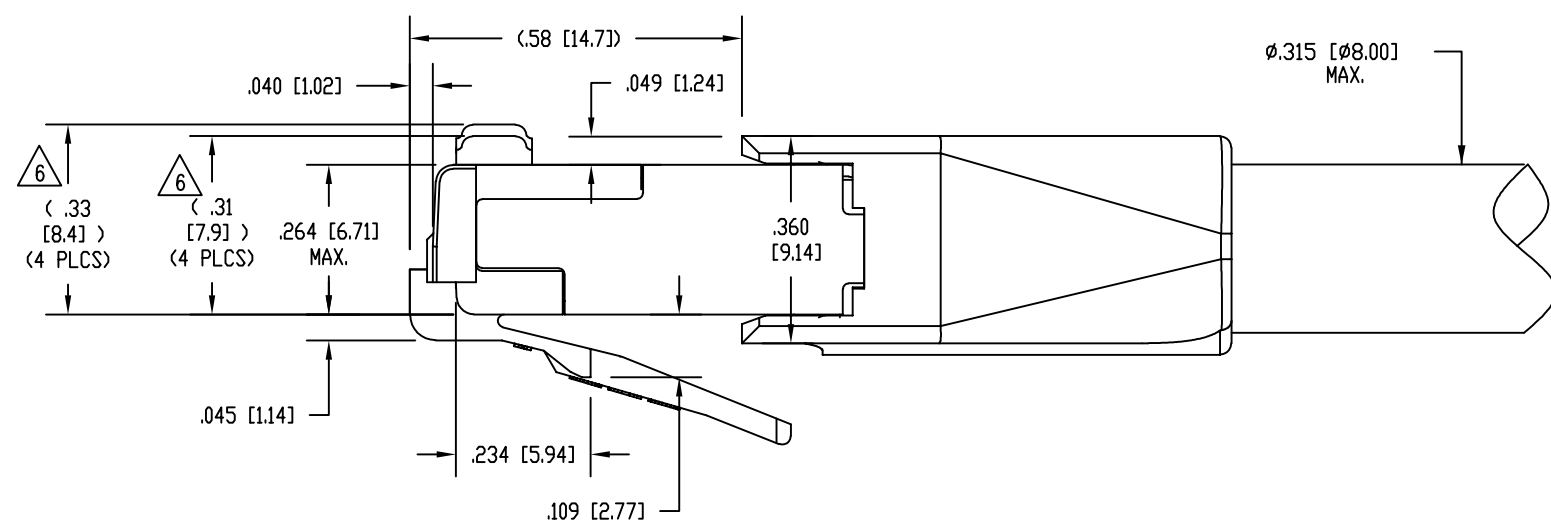
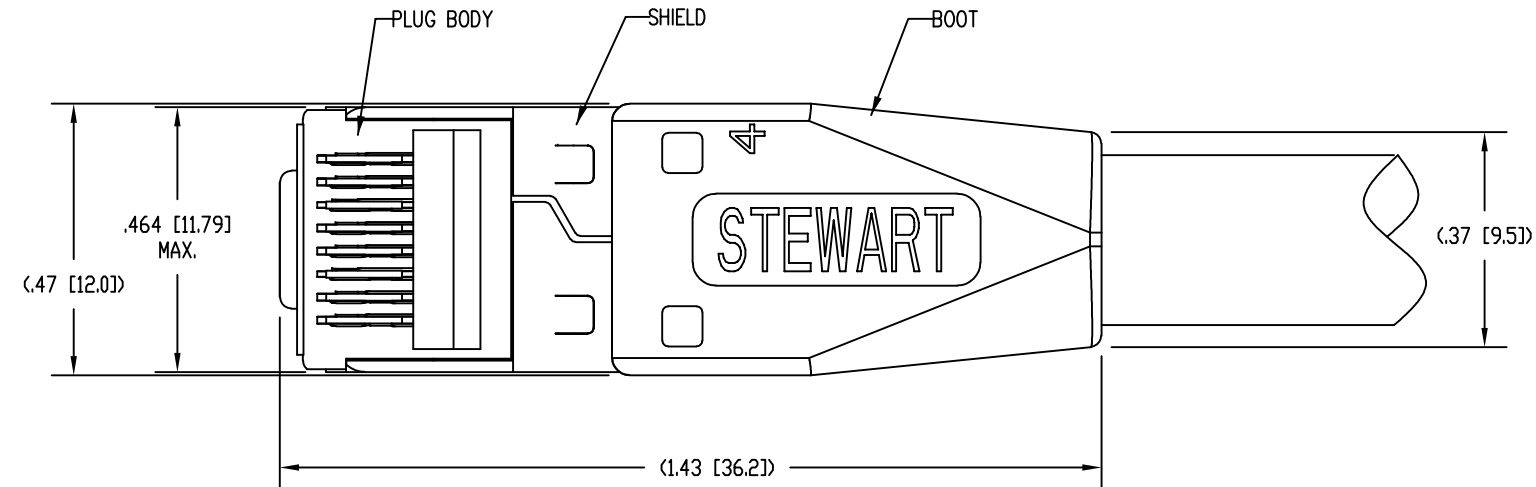


DATE	REV	ECN	APP'D. BY
4-20-17	A0	-	TRM



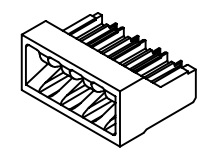
ISOMETRIC VIEW OF TERMINATED PLUG



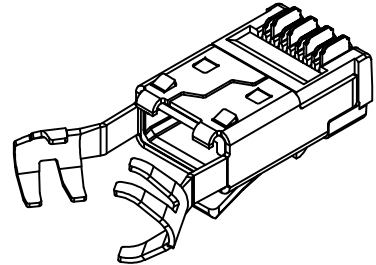
NOTES:

1. PLUG KIT CONSISTS OF:  
PRE-INSERTED PLUG BODY WITH SHIELD  
LOAD BAR  
BOOT
2. MATERIALS:  
PLUG BODY: CLEAR POLYCARBONATE, UL 94-V0  
BOOT : BLACK POLYCARBONATE, UL 94-V0  
LOAD BAR: CLEAR POLYCARBONATE, UL 94-V0  
CONTACTS: COPPER ALLOY, SELECTIVE GOLD PLATING  
SHIELD: COPPER ALLOY, NICKEL PLATE
3. FOR PRODUCT SPECIFICATION SEE PR026-01.
4. CONTACTS TERMINATE SOLID OR STRANDED CONDUCTORS BETWEEN .056 [1.42] TO .062 [1.57] OUTSIDE DIAMETER OF INSULATION.
5. CRIMP IS FOR CABLES WITH OUTSIDE NOMINAL DIAMETERS OF .270 [6.86] TO .315 [8.00].
6. CONTACT HEIGHT BEFORE TERMINATION. AFTER TERMINATION, THE CONTACT HEIGHT IS .237 [6.02] ±.005 [0.13].
7. DIMENSIONS AND TOLERANCES COMPLY WITH TIA-1096 STANDARD FORMERLY FCC/CFR 47, PART 68.
8. INDIVIDUALLY BAGGED PLUG KITS (1 EACH PLUG BODY, LOAD BAR, AND BOOT) PACKAGED 25 PER BOX.

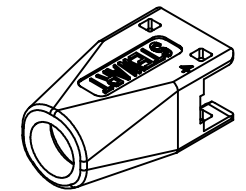
BULK	50 MICRO-INCHES [1.27um]	SS-39200-064
BAGGED	50 MICRO-INCHES [1.27um]	SS-39200-063
PACKAGING	CONTACT PLATING IN MATING AREA	PART NUMBER



LOAD BAR  
39200-933



PRE-INSERTED PLUG  
BODY WITH SHIELD  
39200-321



BOOT  
39200-926



THIRD ANGLE PROJECTION 	 stewart CONNECTOR a bel group	11118 Susquehanna Trail South Glen Rock, PA 17327-9199 (717) 235-7512 <a href="http://www.stewartconnector.com">http://www.stewartconnector.com</a>
DO NOT SCALE DRAWING DRAWING IS SUBJECT TO CHANGE WITHOUT NOTICE	TITLE: 8 CONDUCTOR, 8 POSITION SHIELDED PLUG, WITH BOOT, FOR .062 MAX DIA WIRE, .315 (8mm) MAX CABLE	
DIMENSIONS: INCHES [METRIC]	THIS DRAWING AND THE SUBJECT MATTER SHOWN THEREON ARE CONFIDENTIAL AND THE PROPRIETARY PROPERTY OF STEWART CONNECTOR AND SHALL NOT BE REPRODUCED, COPIED, OR USED IN ANY MANNER WITHOUT PRIOR WRITTEN CONSENT OF STEWART CONNECTOR. ONE OR MORE U.S. PATENTS MAY APPLY TO THIS PRODUCT. FOR DETAILS, PLEASE VISIT: <a href="http://BELFUSE.COM/STEWART/STEWART_PATENTS/">HTTP://BELFUSE.COM/STEWART/STEWART_PATENTS/</a>	DRN BY: DHG      DATE 4-20-17
UNLESS OTHERWISE SPECIFIED TOLERANCES ARE ±.005 [0.13] ANGLES ARE ± 1°		APPD BY: TRM      DATE 4-20-17
SHEET NO. 1 OF 1	DWG NO. CT390183	REV. A0