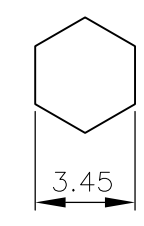


THIS DRAWING IS UNPUBLISHED. RELEASED FOR PUBLICATION APRIL, 2004.
 © COPYRIGHT 2004 By - ALL RIGHTS RESERVED.

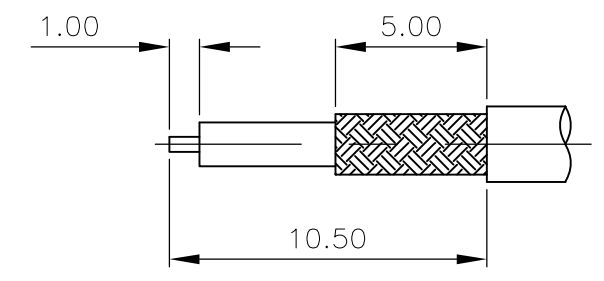
LOC	DIST	REVISIONS			
P	LTR	DESCRIPTION	DATE	DWN	APVD
E	B	A1	REVISED PER ECO-11-005033	01APR11	RK HMR

- NOTES:
- 1 SINGLE PACK IN ACCORDANCE WITH SPEC 107-3275
 - 2 100 TRAY PACK IN ACCORDANCE WITH SPEC 107-3275
 - 3 0.08µm Au PLATING OVER 1.27µm Ni PLATING
 - 4 0.08µm Au PLATING OVER 1.27µm Ni PLATING OVER 0.76µm Cu PLATING
 - 5 0.76µm Au PLATING OVER 1.27µm Ni PLATING OVER 0.76µm Cu PLATING
 - 6 PASSIVATED
 - 7 WHITE BRONZE PLATING
 - 8 PLATING AS PER BODY, EXCEPT FOR PASSIVATED WHICH IS NICKEL PLATED
 - 9 HAND TOOL 9-1478240-0
 - 10 DIE SET 9-1478248-0
 - 11 FOR TECHNICAL DATA REFER TO YOUR LOCAL TE CONNECTIVITY SALES OFFICE
 - 12 ALL DIMENSIONS ARE NOMINAL FOR REFERENCE ONLY UNLESS OTHERWISE STATED

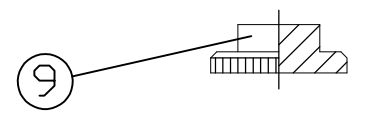
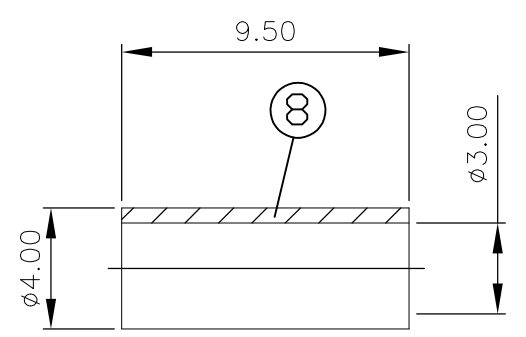
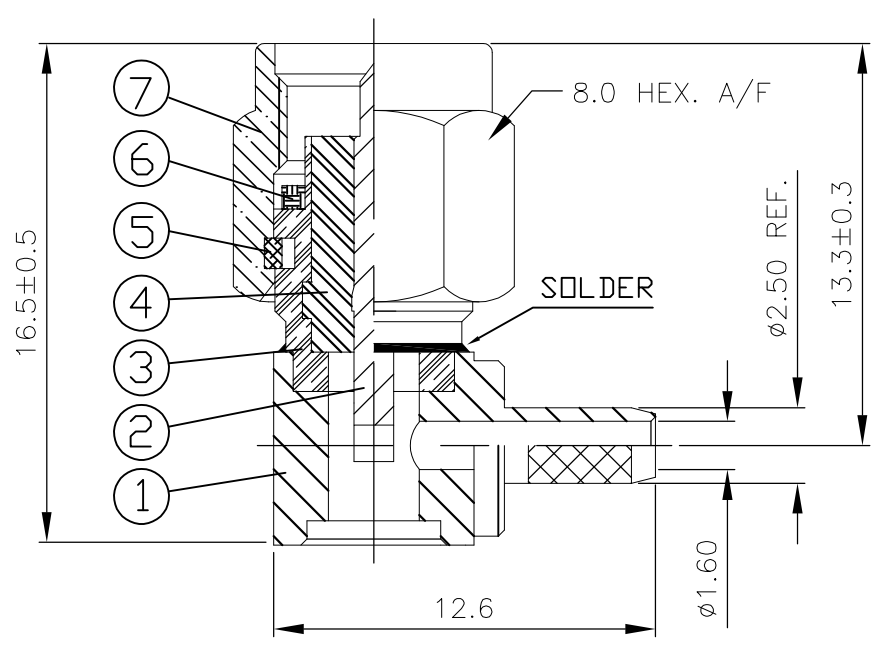
RECOMMENDED
CRIMP SLEEVE
A/F HEX



RECOMMENDED
CABLE STRIPPING DIM'S



QTY	LOC	DIST	PLC	PLC	PLC	PLC	PLC	PLC	PLC	MATERIAL	DESCRIPTION	ITEM
1	1	-	-	-	-	-	-	-	-	BRASS	7 CAP	9
-	-	1	1	-	-	-	-	-	-	BRASS	4 CAP	9
-	-	-	-	1	1	-	-	-	-	STAINLESS STEEL	6 CAP	9
-	-	-	-	-	-	1	1	-	-	STAINLESS STEEL	3 CAP	9
1	1	1	1	1	1	1	1	-	-	BRASS	8 CRIMP SLEEVE	8
1	1	-	-	-	-	-	-	-	-	BRASS	7 SHELL	7
-	-	1	1	-	-	-	-	-	-	BRASS	4 SHELL	7
-	-	-	-	1	1	-	-	-	-	STAINLESS STEEL	6 SHELL	7
-	-	-	-	-	-	1	1	-	-	STAINLESS STEEL	3 SHELL	7
1	1	1	1	1	1	1	1	-	-	SILICON	GASKET	6
1	1	1	1	1	1	1	1	-	-	STAINLESS STEEL	CIRCLIP	5
1	1	1	1	1	1	1	1	-	-	PTFE	INSULATOR	4
1	1	-	-	-	-	-	-	-	-	BRASS	7 BODY	3
-	-	1	1	-	-	-	-	-	-	BRASS	4 BODY	3
-	-	-	-	1	1	-	-	-	-	STAINLESS STEEL	6 BODY	3
-	-	-	-	-	-	1	1	-	-	STAINLESS STEEL	3 BODY	3
1	1	1	1	1	1	1	1	-	-	BRASS	5 CENTER CONTACT	2
1	1	-	-	-	-	-	-	-	-	BRASS	7 BODY	1
-	-	1	1	-	-	-	-	-	-	BRASS	4 BODY	1
-	-	-	-	1	1	-	-	-	-	STAINLESS STEEL	6 BODY	1
-	-	-	-	-	-	1	1	-	-	STAINLESS STEEL	3 BODY	1
4--1	4--0	3--1	3--0	2--1	2--0	1--1	1--0	MATERIAL		DESCRIPTION	ITEM	
2	1	2	1	2	1	2	1					



THIS DRAWING IS A CONTROLLED DOCUMENT.		DWN R.SMITH 04FEB04	TE Connectivity		
DIMENSIONS: mm		CHK S.PARLOW 04FEB04			
TOLERANCES UNLESS OTHERWISE SPECIFIED:		APVD F.WHEELER-KING 04FEB04	NAME		
0 PLC ± -		PRODUCT SPEC	SMA RIGHT ANGLE CRIMP ATTACHMENT		
1 PLC ± -		108-3460	CAPTIVE CONTACT		
2 PLC ± -		APPLICATION SPEC	RG174A/U, 188A/U, 316/U, KX3B, KX22A		
3 PLC ± -		411-3276	SIZE	CAGE CODE	DRAWING NO
4 PLC ± -		WEIGHT	A3	00779	C-1478924
ANGLES ± -		CUSTOMER DRAWING	RESTRICTED TO	-	
FINISH		SCALE	1:1	SHEET	1 OF 1
SEE TABLE		REV	A1		