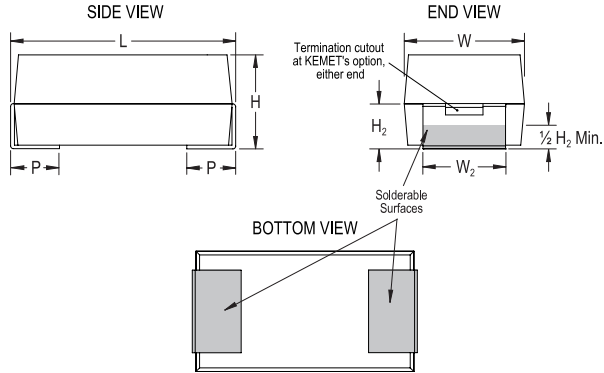


**KEMET Part Number: CWR11KC475KB**  
(T492C475K025BC)

T492\_CWR11, Tantalum, MnO2 Tantalum, Military/High Reliability, 4.7 uF, 10%, 25 VDC, SMD, MnO2, Molded, Military Equivalent, B (0.1%/1000 Hrs), 2.5 Ohms, 6032, Height Max = 2.8mm



Dimensions	
Footprint	6032
L	6mm +/-0.3mm
W	3.2mm +/-0.3mm
H	2.5mm +/-0.3mm
T	0.13mm REF
S	1.3mm +/-0.3mm
F	2.2mm +/-0.1mm
A	3.1mm MIN
B	0.5mm +/-0.15mm
E	2.4mm REF
G	2.8mm REF
K	1mm MIN
P	0.5mm MIN
R	1mm REF
X	0.1mm +/-0.1mm

Packaging Specifications	
Weight:	224.2 mg
Packaging:	T&R, 178mm
Packaging Quantity:	2500

General Information	
Supplier:	KEMET
Series:	T492_CWR11
Dielectric:	MnO2 Tantalum
Style:	SMD Chip
Description:	SMD, MnO2, Molded, Military Equivalent
RoHS:	No
Termination:	Hot Solder Dipped
Qualifications:	MIL-PRF-55365/8, CWR11 Style
Notes:	Note: When Option C Is Selected For Lead Material, Add An Additional 0.38mm To The Tolerances For "L", "W", "H", "K", "F" And "S". P And R Dimensions Represents The Minimum Solderable Area Of The Termination Surface Entirely Below Cutout (If One Is Present)

Specifications	
Capacitance:	4.7 uF
Capacitance Tolerance:	10%
Voltage DC:	25 VDC (85C), 16.75 VDC (125C)
Temperature Range:	-55/+125C
Rated Temperature:	85C
Dissipation Factor:	6.00%
Failure Rate:	B (0.1%/1000 Hrs)
Resistance:	2.5 Ohms (100kHz)
Leakage Current:	1.2 uA (20C)
Testing and Reliability:	Standard Testing Only