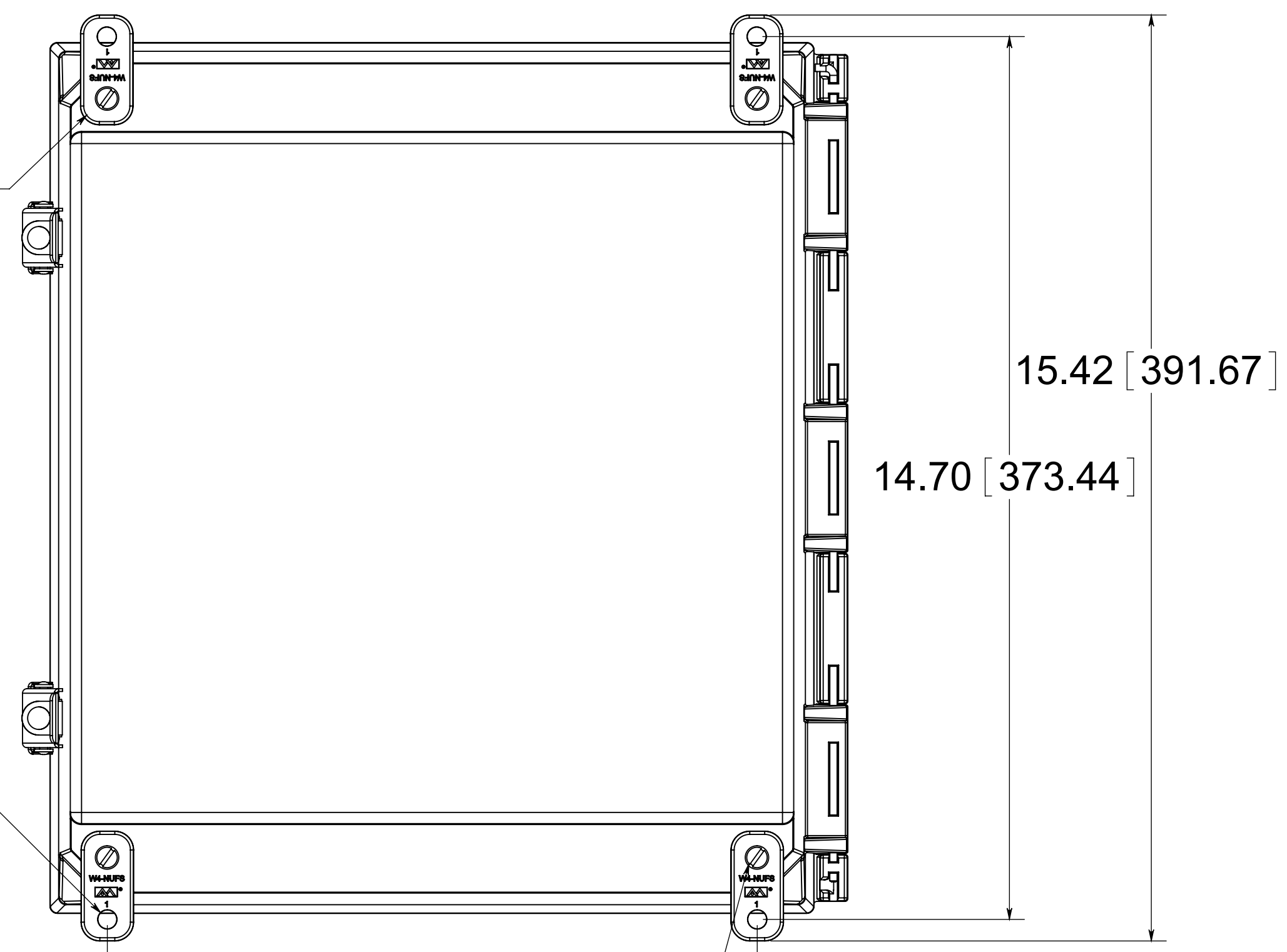


OPTIONAL BACK PANEL
 0.100 [2.54] TH'K- ALUMINUM
 0.075 [1.91] TH'K- WHITE STEEL & GALVANNEALED
 0.125 [3.18] TH'K- FIBERGLASS

(4) POLYCARBONATE FEET

.10 [2.54]
 6.05 [153.54]

BACK VIEW



(4) Ø.31 [7.95]

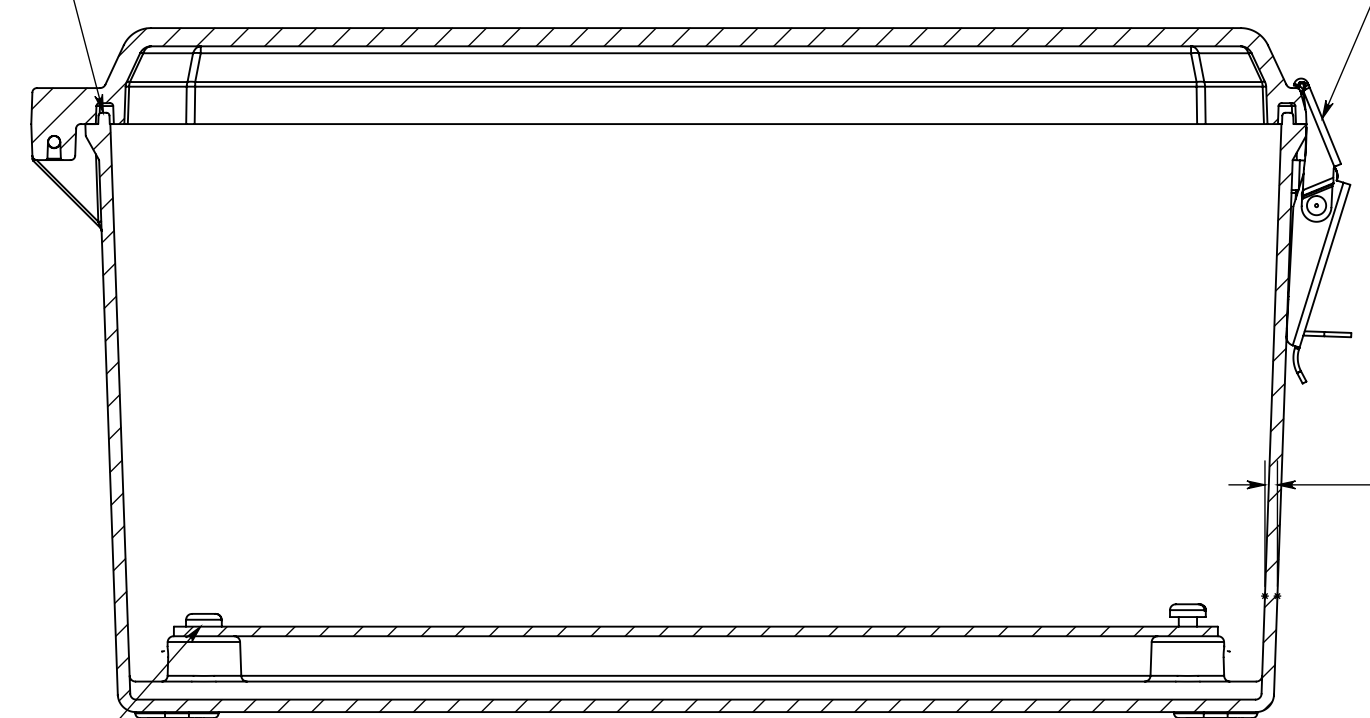
FRONT VIEW
 WITH COVER REMOVED
 AND BACK PANEL DISPLAYED

STAINLESS STEEL HINGE PIN

CLOSED CELL NEOPRENE GASKET

(2) STAINLESS STEEL LOCKABLE SNAP LATCHES

(4) EACH #10-32 BRASS INSERTS, AND STAINLESS STEEL FLANGE AND FEET SCREWS



(4) EACH #10-32 BRASS INSERTS AND PLATED CARBON STEEL SCREWS

12.75 [323.85]

12.25 [311.15]

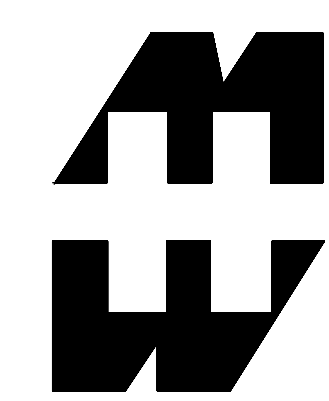
10.88 [276.23]

14.05 [356.87]

10.25 [260.35]

12.27 [311.66]

MATERIAL:
 BOX-COMPRESSION MOLDED FIBERGLASS REINFORCED POLYESTER
 COVER- COMPRESSION MOLDED FIBERGLASS REINFORCED POLYESTER
 CLEAR COVER AND WINDOWS- POLYCARBONATE



PART No. PJU14126CCL
 for more information visit www.hammfg.com
 Data subject to change without notice
 Drawing Not to Scale