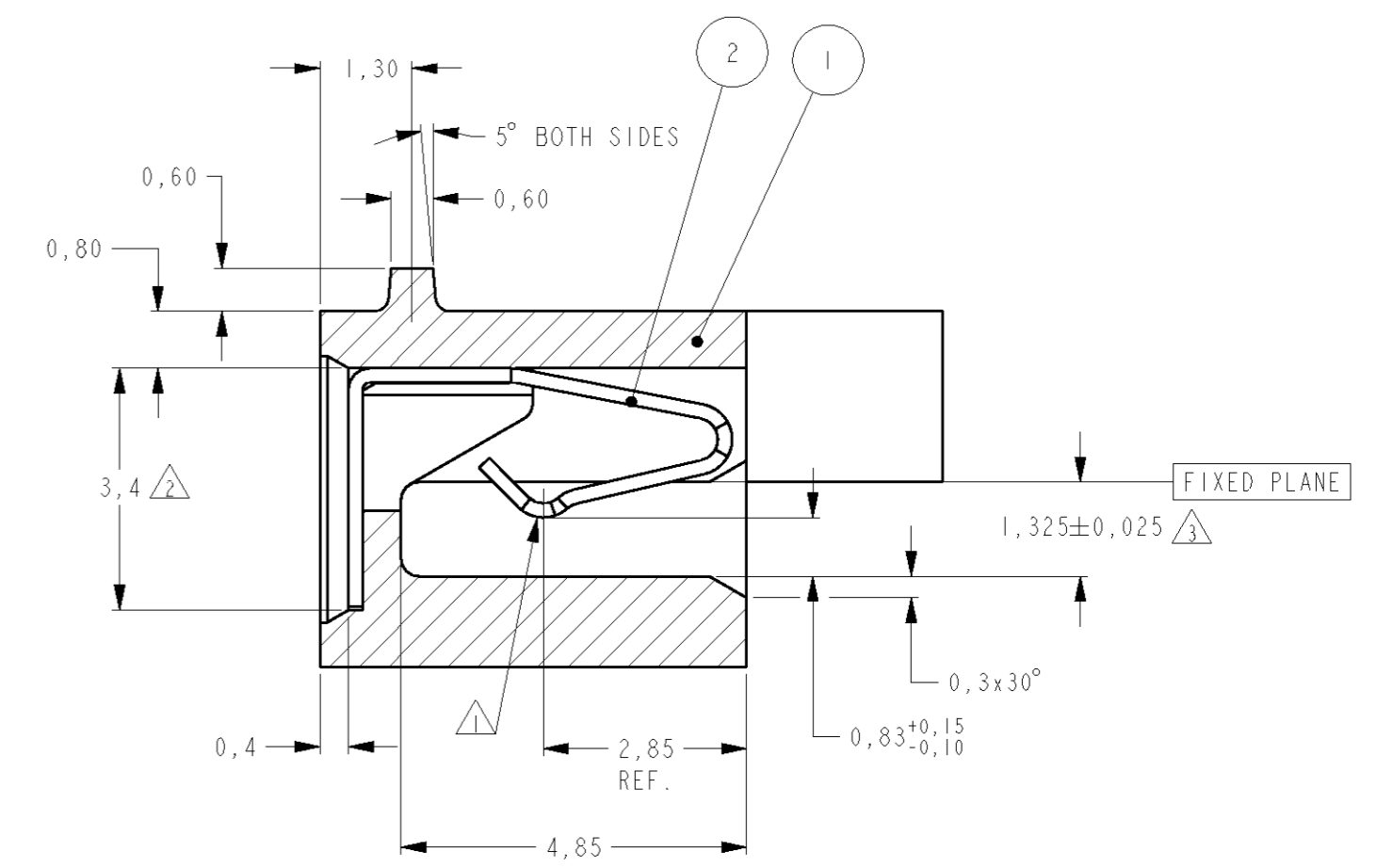
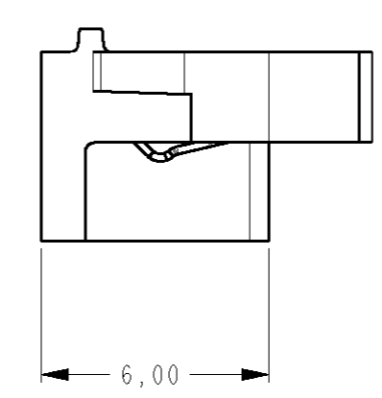
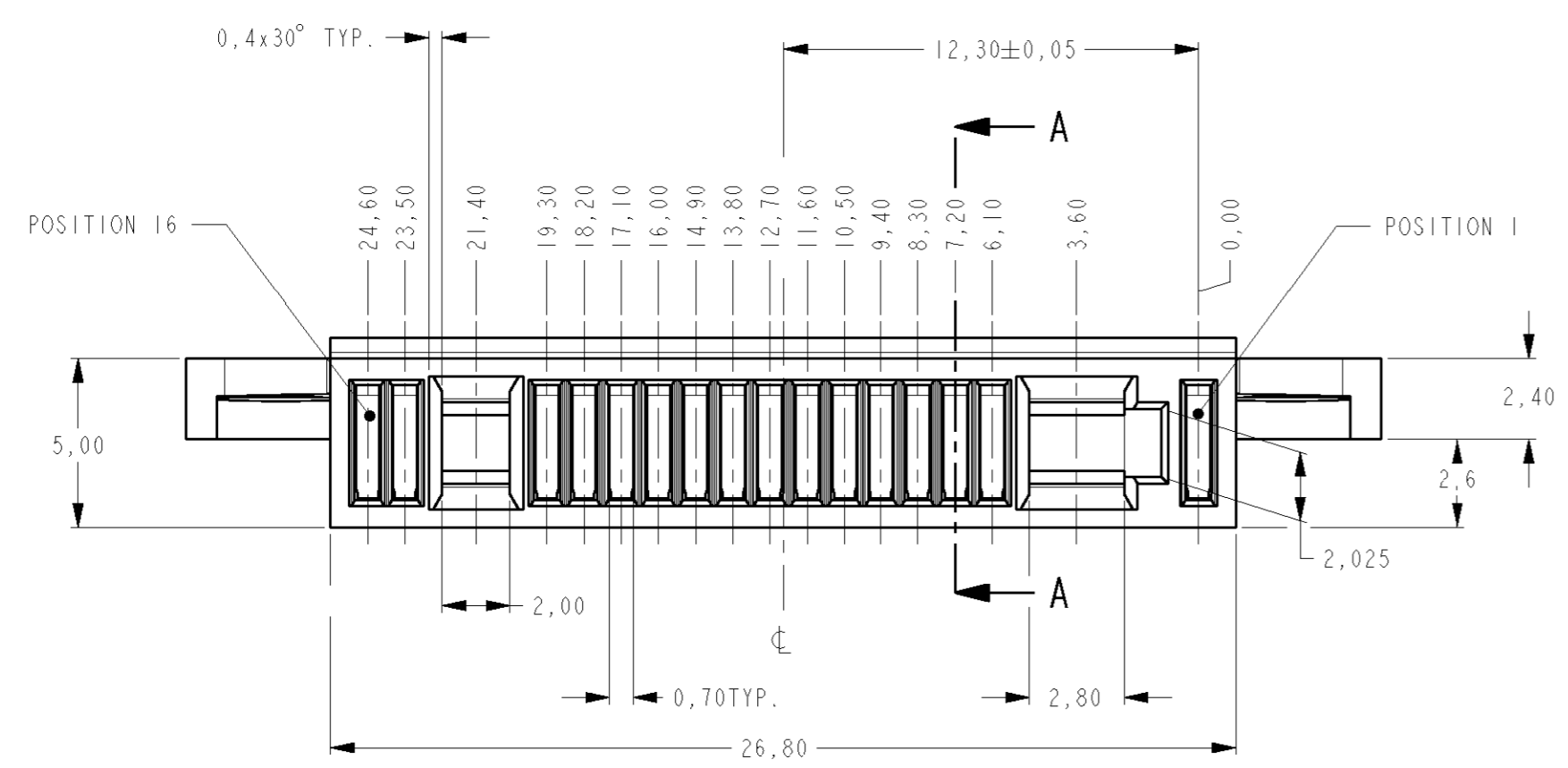
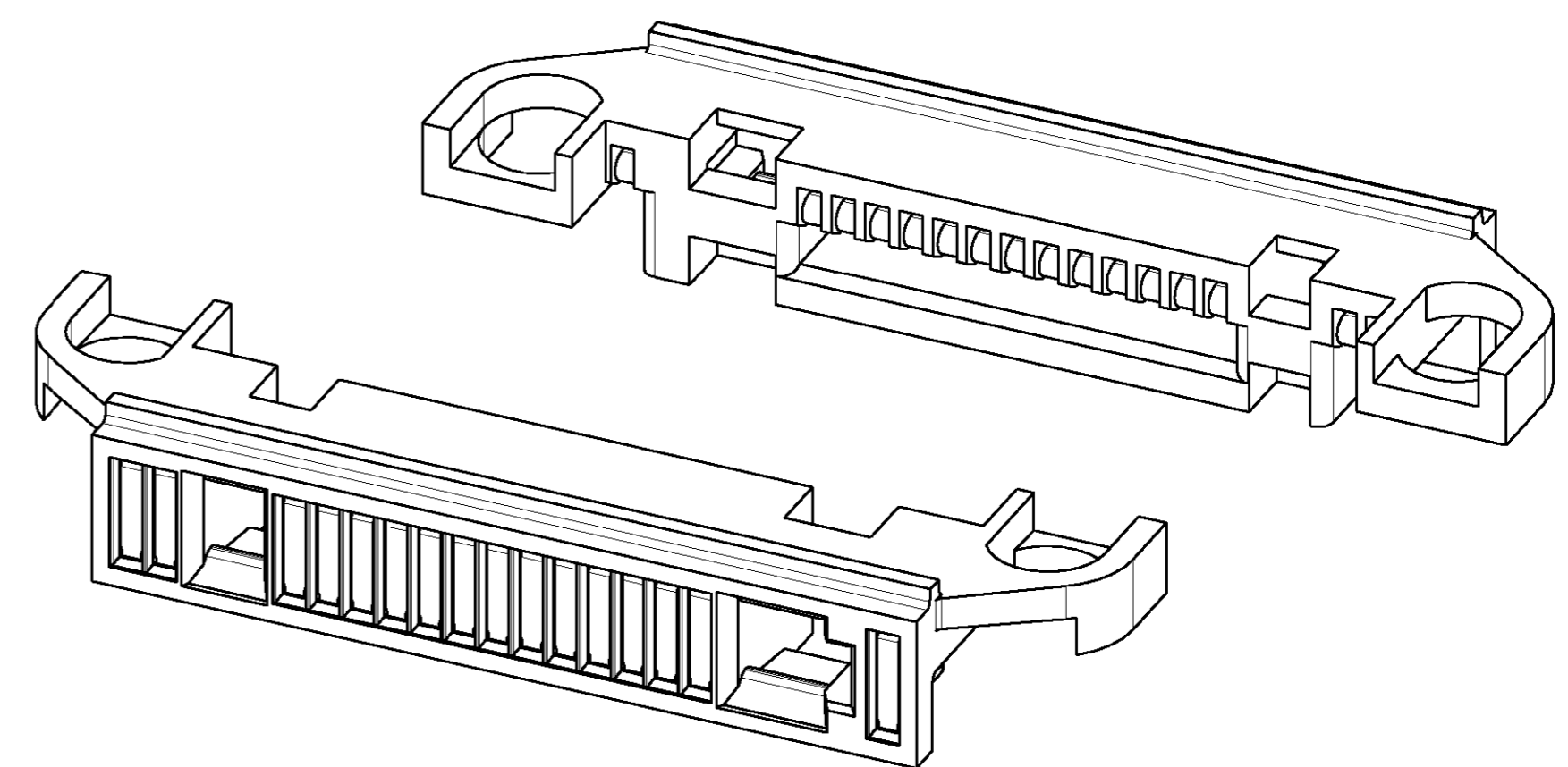
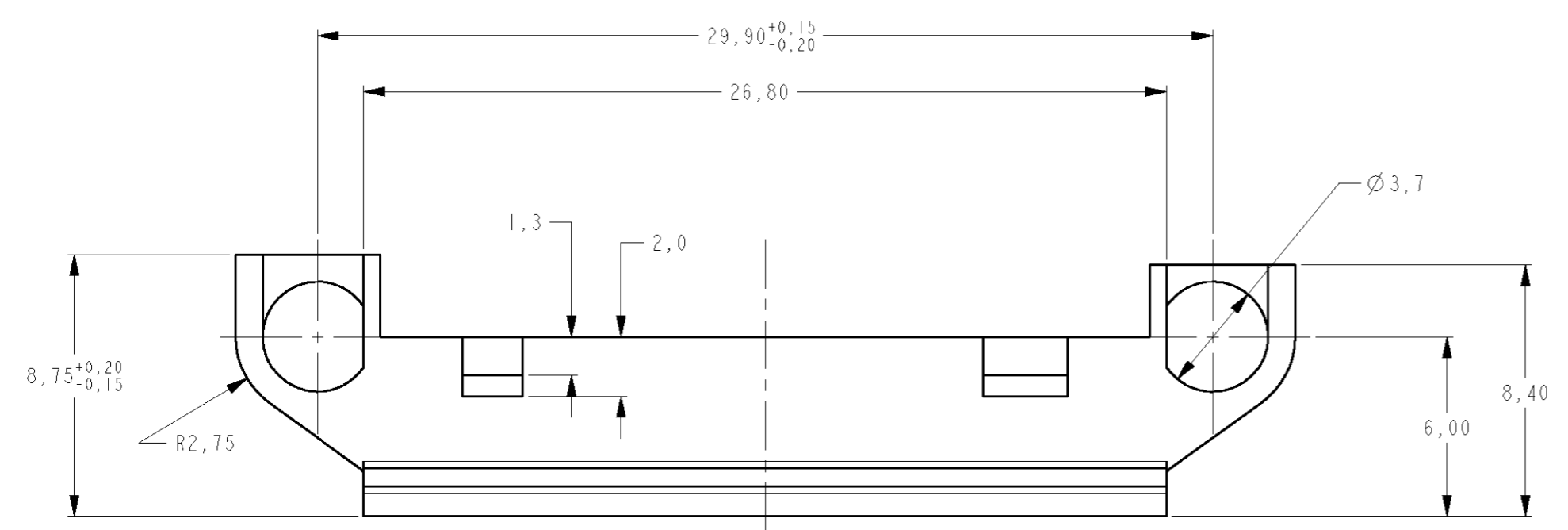
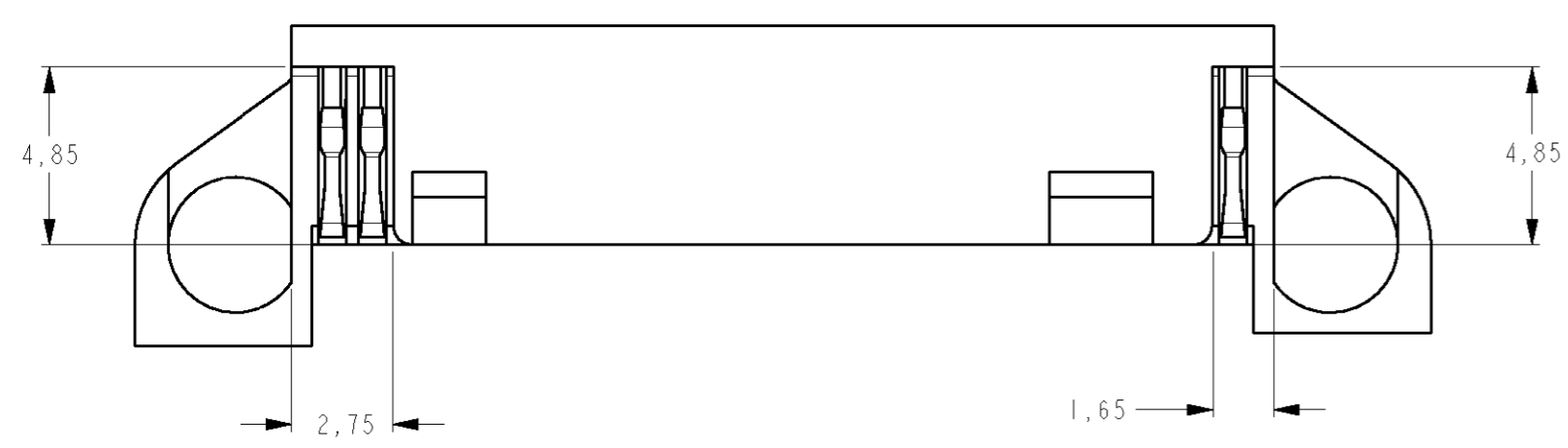


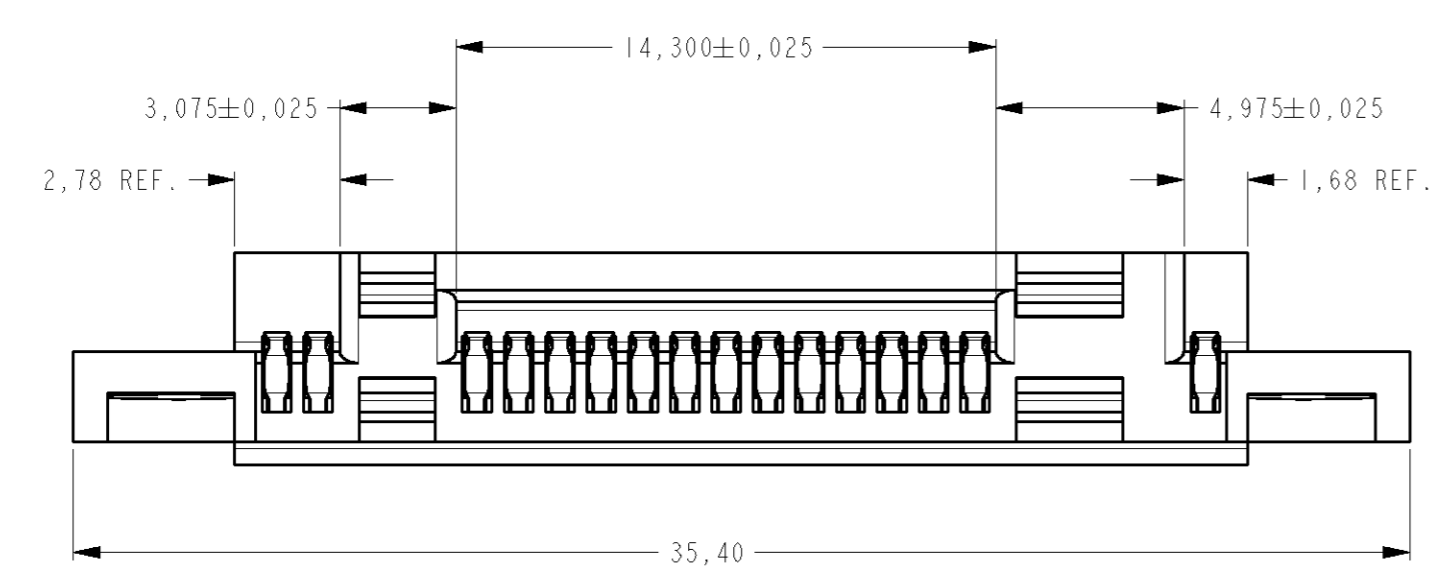
LOC	DIST	LTR	REVISION RECORD	DATE	APVD
H	-	A	EH00-1620-00	22 OCT 99	CvT
		B	EH00-0219-01	06 MRT 01	JvdH
		-	-	-	-



SECTION A-A
SCALE 10:1



- NOTES :
- △ 0,2 µm GOLD OVER 1,3 µm NICKEL IN CONTACTAREA.
 - △ 0,8 µm GOLD OVER 1,3 µm NICKEL IN CONTACTAREA.
 - △ SUITABLE FOR 1,2+/-0,1mm PCB THICKNESS.



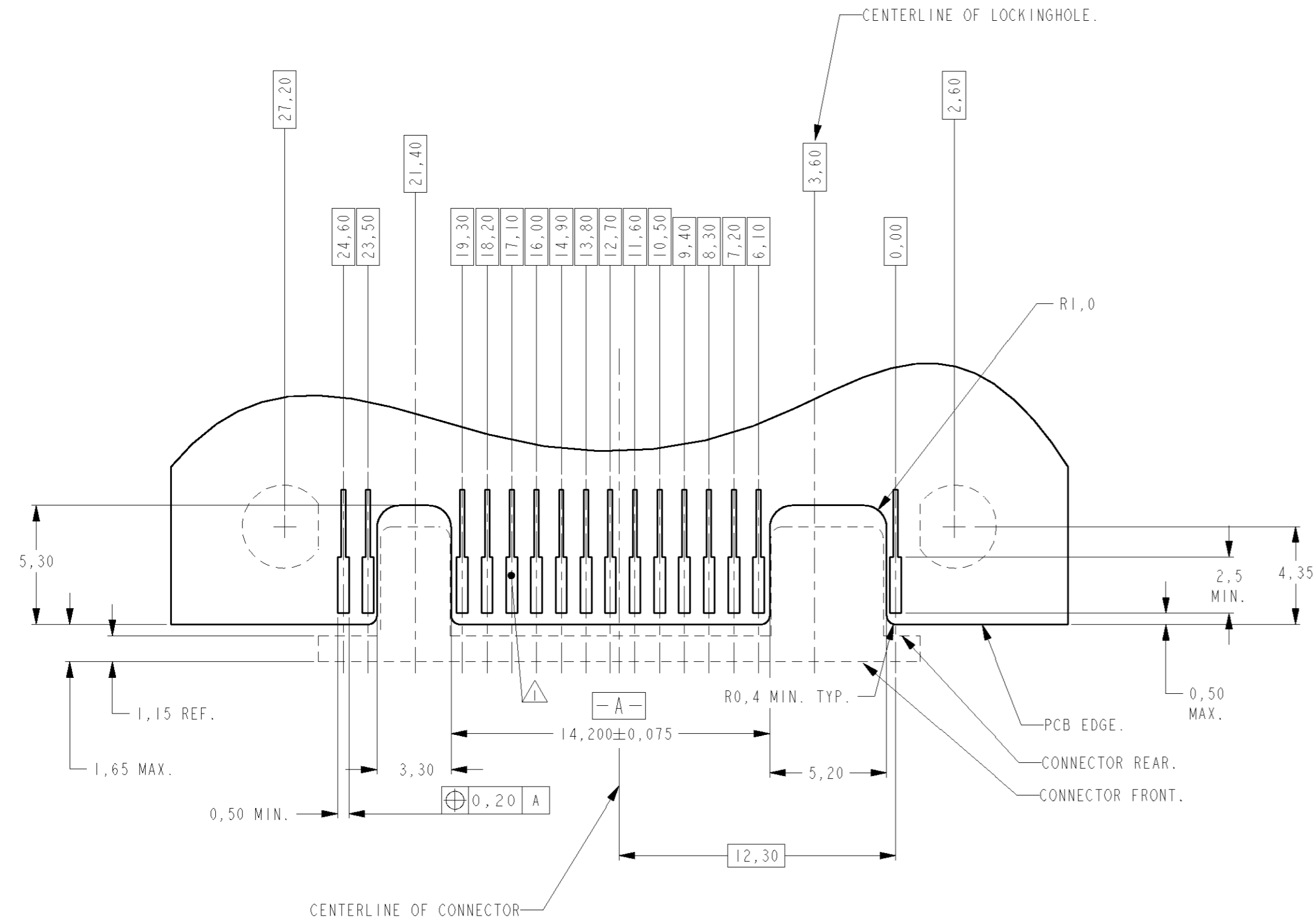
ORDERNUMBER 1-338967-2

Item #	Description	Material	Finish
2	IN-PHONE CONTACT	PHOSPHOR BRONZE	GOLD PLATED
1	SYSTEM CONN. HOUSING	LCP GF	BLACK

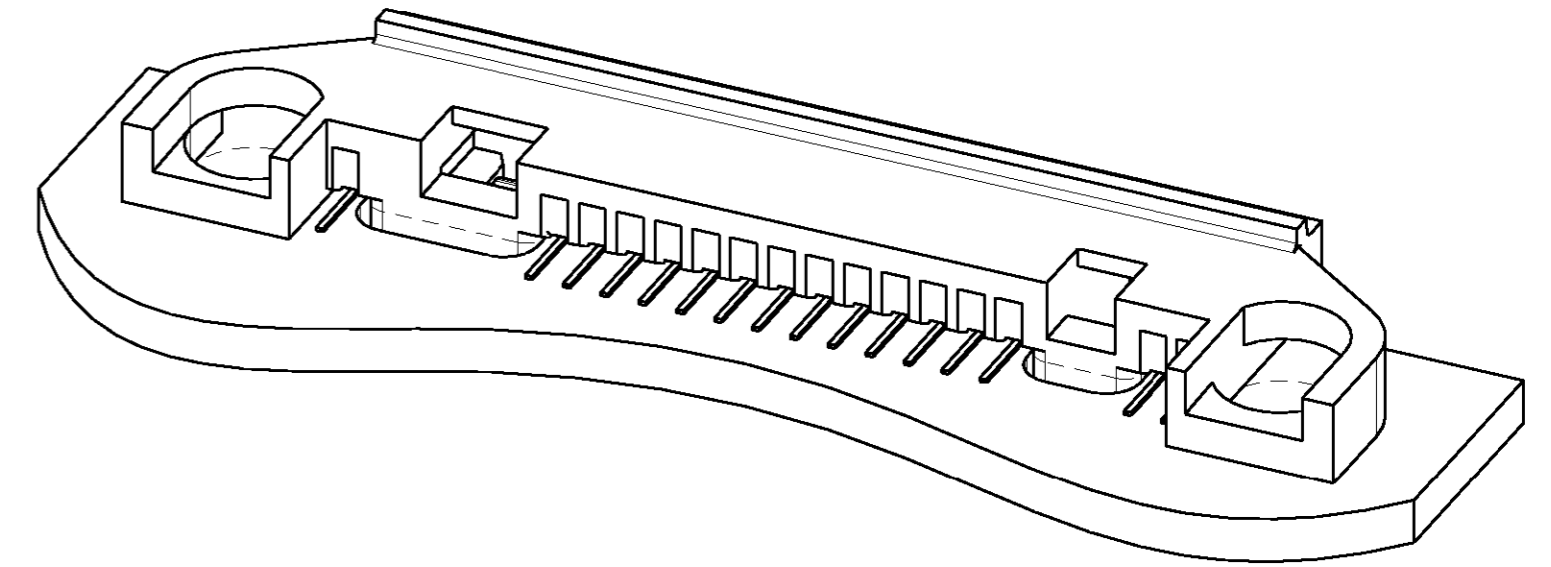
THIS DRAWING IS A CONTROLLED DOCUMENT FOR TYCO ELECTRONICS NEDERLAND B.V. IT IS SUBJECT TO CHANGE AND THE CONTROLLING ENGINEERING ORGANIZATION SHOULD BE CONTACTED FOR THE LATEST REVISION.	
DIMENSIONS: mm	TOLERANCES UNLESS OTHERWISE SPECIFIED:
	0 PLC ± 0,2
	1 PLC ± 0,15
	2 PLC ± 0,10
	3 PLC ± -
	4 PLC ± -
ANGLES ± 1°	
MATERIAL	FINISH
-	-

DWN	J.V.D.HEIJDEN. 10 APR 99	TYCO ELECTRONICS NEDERLAND B.V. 's-HERTOGENBOSCH, THE NETHERLANDS
CHR	C.V.TILBURG.	
APVD	-	NAME
PRODUCT SPEC	-	I/O CONNECTOR 16 POSITION + 2 LOCKING HOLES + KEYING.
APPLICATION SPEC	-	SIZE
WEIGHT	-	A2
CUSTOMER DRAWING		CAGE CODE
		00779
		DRAWING NO
		C-338967
		RESTR TO
		-
		SCALE
		5:1
		SHEET
		1 OF 2
		REV
		B

LOC	DIST	LTR	REVISION RECORD	DATE	APVD
H	-	-	SEE SHEET 1	-	-
-	-	-	-	-	-
-	-	-	-	-	-



RECOMMENDED PCB-LAYOUT
FOR I/O CONNECTOR.



NOTE:

- ▲ PLATING OF CONTACT AREA:
MIN. 0,20 µm GOLD OVER MIN. 1,3 µm Ni.
- 2 NO SOLDERMASK PERMITTED IN MOUNTING AREA OF CONNECTOR.
(BOTH SIDES OF THE BOARD).

<small>THIS DRAWING IS A CONTROLLED DOCUMENT FOR TYCO ELECTRONICS NEDERLAND B.V. IT IS SUBJECT TO CHANGE AND THE CONTROLLING ENGINEERING ORGANIZATION SHOULD BE CONTACTED FOR THE LATEST REVISION.</small>		DWN J.V.D.HEIJDEN, 10 MRT 99		AMP TYCO ELECTRONICS NEDERLAND B.V. 's-HERTOGENBOSCH, THE NETHERLANDS	
DIMENSIONS: mm		TOLERANCES UNLESS OTHERWISE SPECIFIED: 0 PLC ± - 1 PLC ± - 2 PLC ± - 3 PLC ± - 4 PLC ± - ANGLES ± -		CHR R.DAAMEN.	
		MATERIAL -		APVD - PRODUCT SPEC - APPLICATION SPEC - WEIGHT -	
		FINISH -		NAME PCB-LAYOUT FOR I/O CONNECTOR 16 POSITION + 2 LOCKING HOLES + KEYING.	
		SIZE A2		CAGE CODE 00779	
		DRAWING NO C-338967		RESTR TO -	
		CUSTOMER DRAWING		SCALE 5:1 SHEET 2 OF 2 REV B	