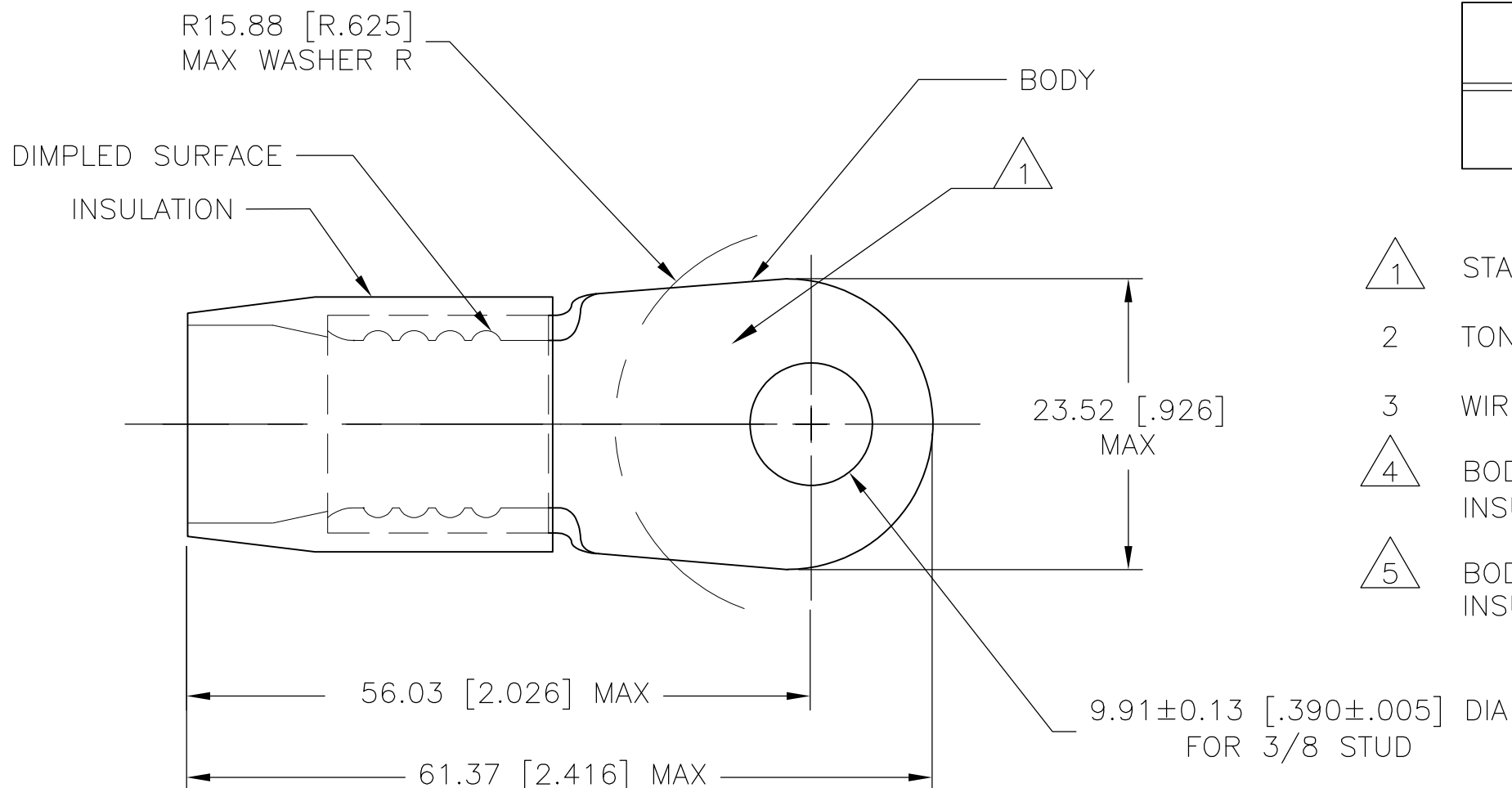


THIS DRAWING IS UNPUBLISHED. RELEASED FOR PUBLICATION
 © COPYRIGHT - By - ALL RIGHTS RESERVED.

LOC	DIST	REVISIONS					
		P	LTR	DESCRIPTION	DATE	DWN	APVD
G	14		F2	REVISED PER ECO-12-002084	06FEB12	KH	DR



AMP WIRE RANGE
2/0 AWG STRANDED

- △1 STAMP AMP 2/0 W*, LOCATE APPROX AS SHOWN
- 2 TONGUE MATERIAL THK 2.03±0.08 [.080±.003]
- 3 WIRE INSULATION DIA 15.49 [.610] MAX
- △4 BODY: COPPER PER ASTM B-152
INSULATION: NYLON (MIL-M-20693) TYPE I
- △5 BODY: TIN PLATED PER ASTM B-545
INSULATION: COLOR-YELLOW

MS25036-136 CLASS 2	-	LOOSE PC	324084
MILITARY P/N AND CLASS	QTY	PACKAGE TYPE	PART NO

MAX RECOMMENDED OPERATING TEMPERATURE: 105°C	THIS DRAWING IS A CONTROLLED DOCUMENT.		DWN S.S. GOULDEN 9-28-93	STE TE Connectivity			
	VOLTAGE RATING: -	DIMENSIONS: mm [INCHES]	TOLERANCES UNLESS OTHERWISE SPECIFIED:				
CIRCULAR MIL AREA: 60.6-76.3mm ² [119,500-150,500] STRANDED	MATERIAL △4	FINISH △5	0 PLC ± -	APVD 9-28-93	PRODUCT SPEC NOT AVAILABLE		RESTRICTED TO -
			1 PLC ± -	2 PLC ± 0.20[.008]	3 PLC ± -	4 PLC ± -	
			WEIGHT -	SIZE A3	CAGE CODE 00779	DRAWING NO C-324084	
CUSTOMER DRAWING				SCALE NTS	SHEET 1 OF 1	REV F2	