


REV	ECN NO	REVISIONS	DRN	CKD	APP	QA	CM	DATE
A	—	NEW RELEASE	BP					

DIALIGHT PART NO.	LED COLOR	OPERATING VOLTAGE (SEE TABLE)	REFER TO FIGURE	PIECE/PART MARKING
677-2112-321F	HIGH BRIGHT RED	6VDC	1	DIALIGHT 6V
677-2115-321F	HIGH BRIGHT RED	6VDC	4	
677-2212-322F	HIGH BRIGHT GREEN	6VDC	1	
677-2215-322F	HIGH BRIGHT GREEN	6VDC	4	
677-2312-323F	HIGH BRIGHT ORANGE	6VDC	1	
677-2315-323F	HIGH BRIGHT ORANGE	6VDC	4	
677-2412-324F	HIGH BRIGHT BLUE	6VDC	1	
677-2415-324F	HIGH BRIGHT BLUE	6VDC	4	
677-1112-321F	HIGH BRIGHT RED	6VDC	2	
677-1115-321F	HIGH BRIGHT RED	6VDC	5	
677-1212-322F	HIGH BRIGHT GREEN	6VDC	2	
677-1215-322F	HIGH BRIGHT GREEN	6VDC	5	
677-1312-323F	HIGH BRIGHT ORANGE	6VDC	2	
677-1315-323F	HIGH BRIGHT ORANGE	6VDC	5	
677-1412-324F	HIGH BRIGHT BLUE	6VDC	2	
677-1415-324F	HIGH BRIGHT BLUE	6VDC	5	
677-3132-321F	HIGH BRIGHT RED	6VDC	3	
677-3135-321F	HIGH BRIGHT RED	6VDC	6	
677-3232-322F	HIGH BRIGHT GREEN	6VDC	3	
677-3235-322F	HIGH BRIGHT GREEN	6VDC	6	
677-3332-323F	HIGH BRIGHT ORANGE	6VDC	3	
677-3335-323F	HIGH BRIGHT ORANGE	6VDC	6	
677-3432-324F	HIGH BRIGHT BLUE	6VDC	3	
677-3435-324F	HIGH BRIGHT BLUE	6VDC	6	
677-2112-331F	HIGH BRIGHT RED	12VDC	1	DIALIGHT 12V
677-2115-331F	HIGH BRIGHT RED	12VDC	4	
677-2212-332F	HIGH BRIGHT GREEN	12VDC	1	
677-2215-332F	HIGH BRIGHT GREEN	12VDC	4	
677-2312-333F	HIGH BRIGHT ORANGE	12VDC	1	
677-2315-333F	HIGH BRIGHT ORANGE	12VDC	4	
677-2412-334F	HIGH BRIGHT BLUE	12VDC	1	
677-2415-334F	HIGH BRIGHT BLUE	12VDC	4	
677-1112-331F	HIGH BRIGHT RED	12VDC	2	
677-1115-331F	HIGH BRIGHT RED	12VDC	5	
677-1212-332F	HIGH BRIGHT GREEN	12VDC	2	
677-1215-332F	HIGH BRIGHT GREEN	12VDC	5	
677-1312-333F	HIGH BRIGHT ORANGE	12VDC	2	
677-1315-333F	HIGH BRIGHT ORANGE	12VDC	5	
677-1412-334F	HIGH BRIGHT BLUE	12VDC	2	
677-1415-334F	HIGH BRIGHT BLUE	12VDC	5	
677-3132-331F	HIGH BRIGHT RED	12VDC	3	
677-3135-331F	HIGH BRIGHT RED	12VDC	6	
677-3232-332F	HIGH BRIGHT GREEN	12VDC	3	
677-3235-332F	HIGH BRIGHT GREEN	12VDC	6	
677-3332-333F	HIGH BRIGHT ORANGE	12VDC	3	
677-3335-333F	HIGH BRIGHT ORANGE	12VDC	6	
677-3432-334F	HIGH BRIGHT BLUE	12VDC	6	
677-3435-334F	HIGH BRIGHT BLUE	12VDC	3	

DIALIGHT PART NO.	LED COLOR	OPERATING VOLTAGE (SEE TABLE)	REFER TO FIGURE	PIECE/PART MARKING
677-2112-341F	HIGH BRIGHT RED	24VDC	1	DIALIGHT 24V
677-2115-341F	HIGH BRIGHT RED	24VDC	4	
677-2212-342F	HIGH BRIGHT GREEN	24VDC	1	
677-2215-342F	HIGH BRIGHT GREEN	24VDC	4	
677-2312-343F	HIGH BRIGHT ORANGE	24VDC	1	
677-2315-343F	HIGH BRIGHT ORANGE	24VDC	4	
677-2412-344F	HIGH BRIGHT BLUE	24VDC	1	
677-2415-344F	HIGH BRIGHT BLUE	24VDC	4	
677-1112-341F	HIGH BRIGHT RED	24VDC	2	
677-1115-341F	HIGH BRIGHT RED	24VDC	5	
677-1212-342F	HIGH BRIGHT GREEN	24VDC	2	
677-1215-342F	HIGH BRIGHT GREEN	24VDC	5	
677-1312-343F	HIGH BRIGHT ORANGE	24VDC	2	
677-1315-343F	HIGH BRIGHT ORANGE	24VDC	5	
677-1412-344F	HIGH BRIGHT BLUE	24VDC	2	
677-1415-344F	HIGH BRIGHT BLUE	24VDC	5	
677-3132-341F	HIGH BRIGHT RED	24VDC	3	
677-3135-341F	HIGH BRIGHT RED	24VDC	6	
677-3232-342F	HIGH BRIGHT GREEN	24VDC	3	
677-3235-342F	HIGH BRIGHT GREEN	24VDC	6	
677-3332-343F	HIGH BRIGHT ORANGE	24VDC	3	
677-3335-343F	HIGH BRIGHT ORANGE	24VDC	6	
677-3432-344F	HIGH BRIGHT BLUE	24VDC	3	
677-3435-344F	HIGH BRIGHT BLUE	24VDC	6	

RoHS COMPLIANT C18278

Part Numbers with the "F" suffix ending are RoHS Compliant. Packaging is marked with "RoHS Compliant" label or equivalent markings. Parts can be wave soldered, dip soldered or hand soldered using typical lead-free soldering process with max 260°C temp. for 5 sec.

THIS DRAWING AND THE CONTENTS HEREIN ARE CONFIDENTIAL AND THE SOLE PROPERTY OF DIALIGHT. REPRODUCTION OF THIS DRAWING OR CONSTRUCTION OF ANY PARTS WITHIN THIS DRAWING ARE FORBIDDEN WITHOUT THE WRITTEN CONSENT OF DIALIGHT.		
SCALE: 3.000 ALL DIM'S IN: INCHES (MM)	DRAWING NUMBER C-18278	REV A
TOLERANCES: UNLESS OTHERWISE SPECIFIED FRACTIONS: ±1/64 DECIMALS (.XX): ±.01 DECIMALS (.XXX): ±.005 DECIMALS (.XXXX): ±.0005 ANGLES: ±1°	TITLE 7mm HIGH BRIGHT LED PMI	
FINISH: -	MATERIAL -	
FSCM 83330	 1501 ROUTE 34 SOUTH FARMINGDALE, NJ 07727	
SHEET 1 OF 4 FAMILY TABLE:		

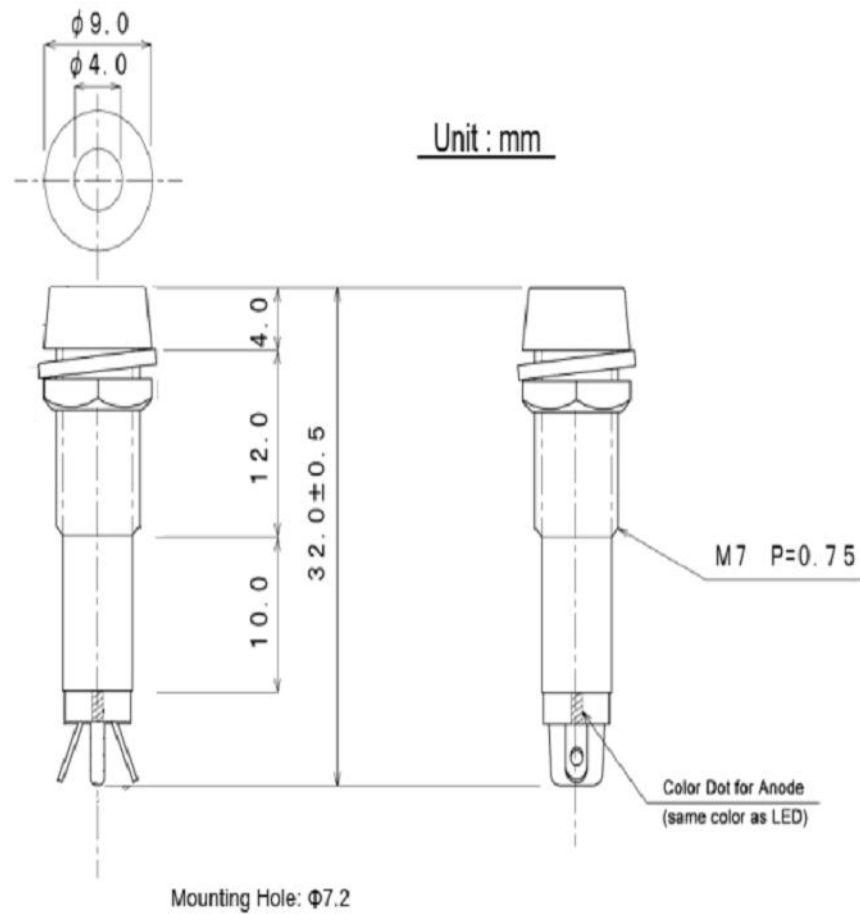


FIGURE 1

NOTES:

- 1, MOUNTING HOLE SIZE: 0.283" (7.2 MM)
- 2, MAX PANEL THICKNESS: FIG 1 AND 4: 0.366" (8.50 MM)
FIG 2 AND 5: 0.265" (6.76 MM)
FIG 3 AND 6: 0.187" (4.25 MM)
- 3, MATERIALS:
 - 3.1, METAL HOUSING: BRASS, CHROME PLATED FOR FIG 1, FIG 2, FIG 4 AND FIG 5.
HOUSING: POLYCARBONATE FOR FIG 3 AND FIG 6
 - 3.2, MOUNTING HEX NUT: BRASS, NICKEL PLATED.
 - 3.3, SPLIT LOCK WASHER: STEEL, UNI-CHROME PLATED.
 - 3.4, HEADER/INSULATOR: POLYCARBONATE, COLOR: BLACK
- 4, SOLDERABILITY: PER ANSI/IPC-S-805, METHOD A.
- 5, RECOMENDED MOUNTING TORQUE:
 - FIG 1,2,4 AND 5: 0.362 LBS/FT (5 KG/CM)
 - FIG 3 AND 6: 0.217 LBS/FT (3 KG/CM)

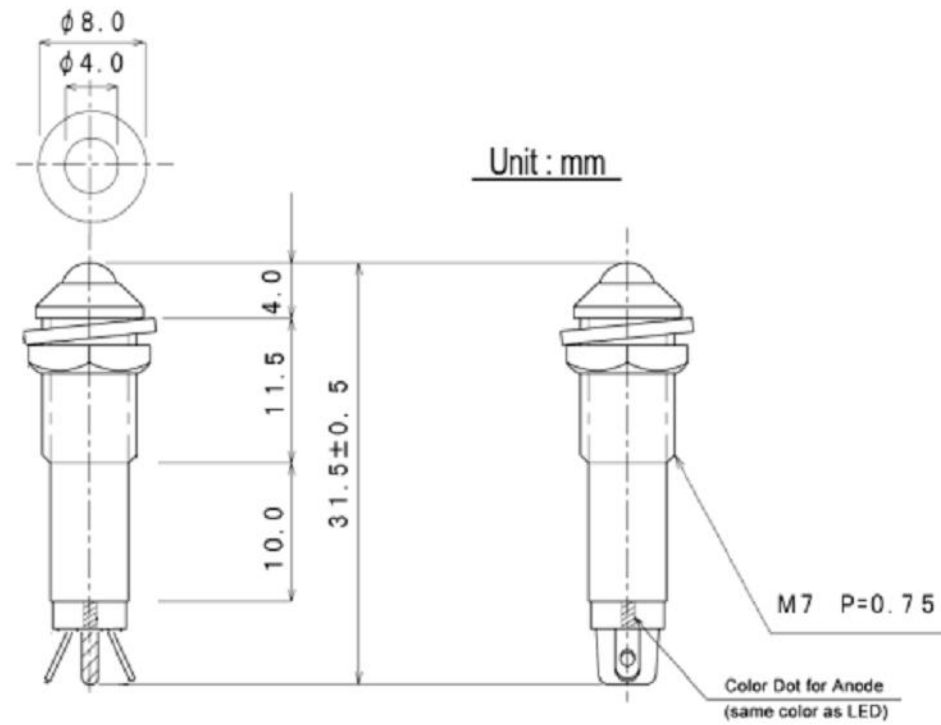
RoHS COMPLIANT C18278

Part Numbers with the "F" suffix ending are RoHS Compliant. Packaging is marked with "RoHS Compliant" label or equivalent markings. Parts can be wave soldered, dip soldered or hand soldered using typical lead-free soldering process with max 260°C temp. for 5 sec.

LED Specifications

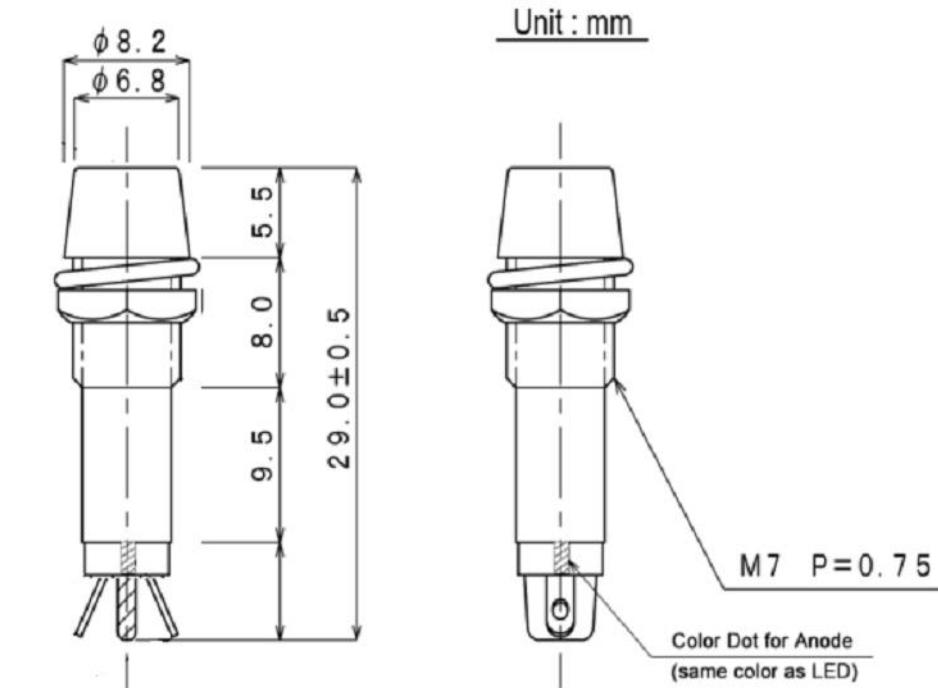
Color	Absolute Maximum Ratings					IF : 20mA Electro-Optical Characteristics					
	Forward Current IF (mA)	Reverse Voltage VR (V)	Power Dissipation PD (mW)	Operating Temp. Topr (°C)	Storage Temp. Tstg (°C)	Forward Voltage VF (V)	Reverse Current IR(μA)	Luminous Intensity Iv (mcd)	Wave Length λ d(nm)	LineHalf-width Δλ (nm)	Angle (Ref.) 2θ 1/2
Red	30	10	72	-30 ~ +85	-40 ~ +100	2.05	10	3000	624	20	25
Green	30	7	108	-30 ~ +85	-40 ~ +100	3.3	10	12000	525	30	25
Orange	30	10	72	-30 ~ +85	-40 ~ +100	2.05	10	3500	605	17	25
Blue	30	7	108	-30 ~ +85	-40 ~ +100	3.3	10	3000	470	22	25
White	30	7	108	-30 ~ +85	-40 ~ +100	3.3	10	6500	**x = 0.31, y=0.29		50

THIS DRAWING AND THE CONTENTS HEREIN ARE CONFIDENTIAL AND THE SOLE PROPERTY OF DIALIGHT. REPRODUCTION OF THIS DRAWING OR CONSTRUCTION OF ANY PARTS WITHIN THIS DRAWING ARE FORBIDDEN WITHOUT THE WRITTEN CONSENT OF DIALIGHT.		
SCALE: 3.000 ALL DIM'S IN: INCHES (MM)	DRAWING NUMBER C-18278	REV A
TOLERANCES: UNLESS OTHERWISE SPECIFIED FRACTIONS: ±1/64 DECIMALS (.XX): ±.02 DECIMALS (.XXX): ±.015	TITLE 7mm HIGH BRIGHT LED PMI	
ANGLES: ±3° FINISH:	MATERIAL	
FSCM 83330	Dialight	1501 ROUTE 34 SOUTH FARMINGDALE, NJ 07727
SHEET 2 OF 4 FAMILY TABLE:		




Mounting Hole: $\Phi 7.2$

FIGURE 2



Mounting Hole: $\Phi 7.2$

FIGURE 3

THIS DRAWING AND THE CONTENTS HEREIN ARE CONFIDENTIAL AND THE SOLE PROPERTY OF DIALIGHT. REPRODUCTION OF THIS DRAWING OR CONSTRUCTION OF ANY PARTS WITHIN THIS DRAWING ARE FORBIDDEN WITHOUT THE WRITTEN CONSENT OF DIALIGHT.		
SCALE: 3.000 ALL DIM'S IN: INCHES (MM)	DRAWING NUMBER C-18278	REV A
TOLERANCES: UNLESS OTHERWISE SPECIFIED FRACTIONS: $\pm 1/64$ DECIMALS (.XX): $\pm .01$ DECIMALS (.XXX): $\pm .005$ DECIMALS (.XXXX): $\pm .0005$ ANGLES: $\pm 1^\circ$	TITLE 7mm HIGH BRIGHT LED PMI	
FINISH: -	MATERIAL -	
FSCM 83330	 1501 ROUTE 34 SOUTH FARMINGDALE, NJ 07727	
SHEET 3 OF 4		FAMILY TABLE:

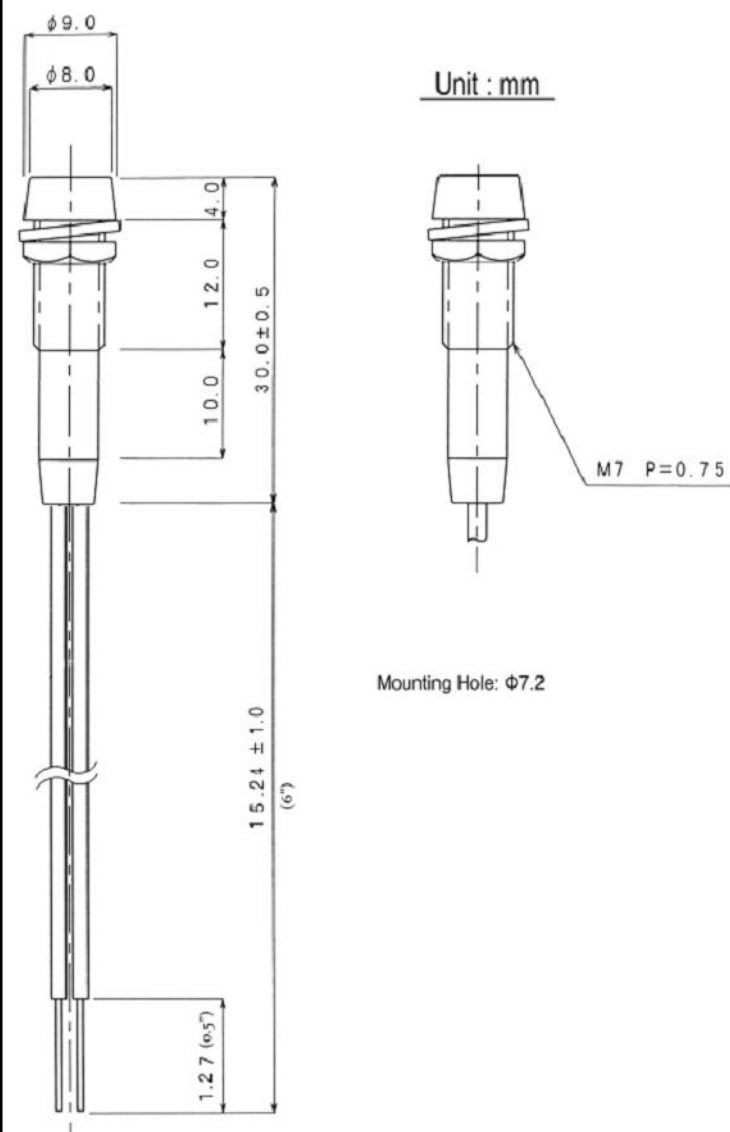


FIGURE 4

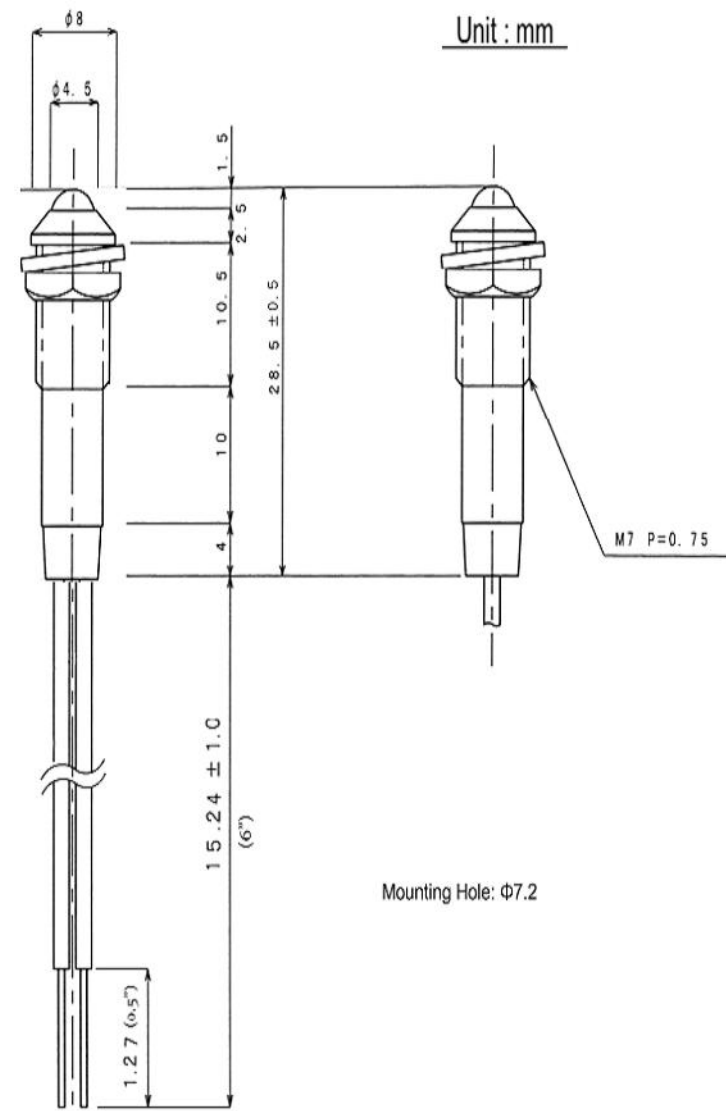


FIGURE 5

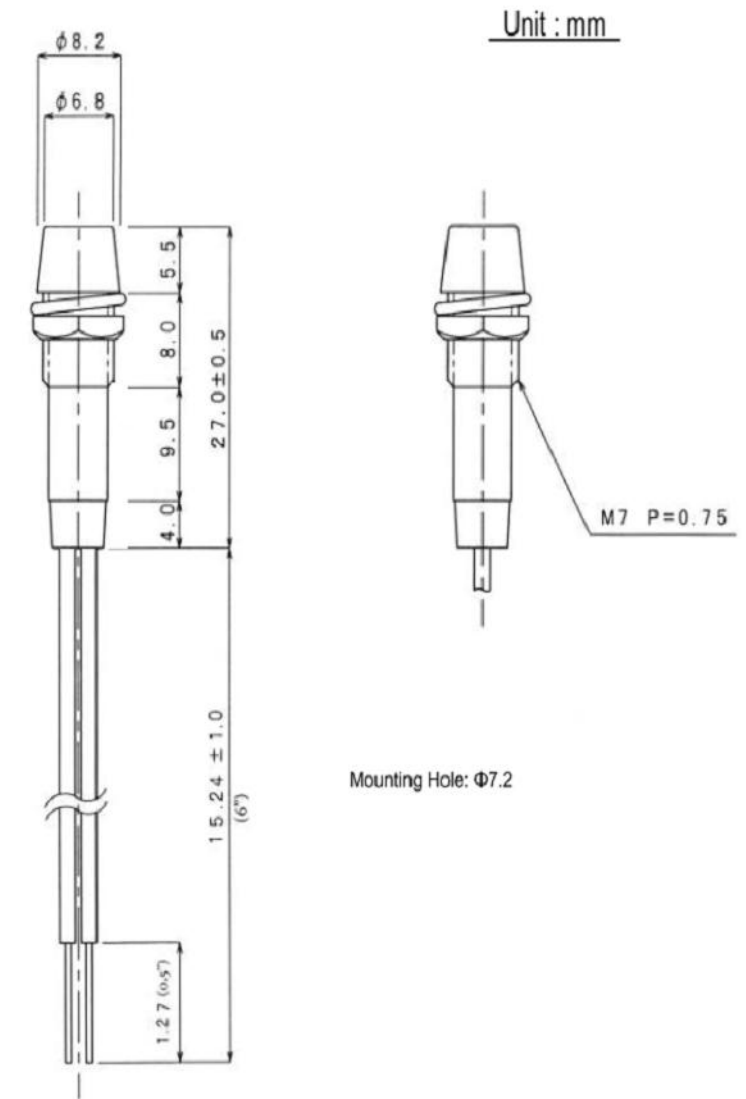



FIGURE 6

THIS DRAWING AND THE CONTENTS HEREIN ARE CONFIDENTIAL AND THE SOLE PROPERTY OF DIALIGHT. REPRODUCTION OF THIS DRAWING OR CONSTRUCTION OF ANY PARTS WITHIN THIS DRAWING ARE FORBIDDEN WITHOUT THE WRITTEN CONSENT OF DIALIGHT.		
SCALE: DRAWING SCALE ALL DIM'S IN: INCHES (MM)	DRAWING NUMBER C-18278	REV A
TOLERANCES: UNLESS OTHERWISE SPECIFIED FRACTIONS: ±1/64 DECIMALS (.XX): ±.01 DECIMALS (.XXX): ±.005 DECIMALS (.XXXX): ±.0005 ANGLES: ±1°	TITLE 7mm HIGH BRIGHT LED PMI	
FINISH:	MATERIAL	
FSCM 83330	 1501 ROUTE 34 SOUTH FARMINGDALE, NJ 07727	
SHEET 4 OF 4		FAMILY TABLE: