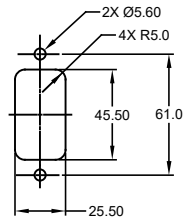
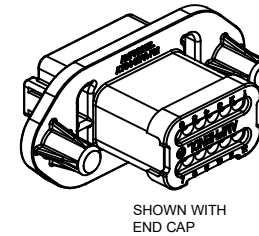
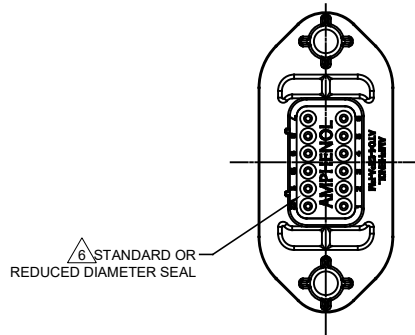
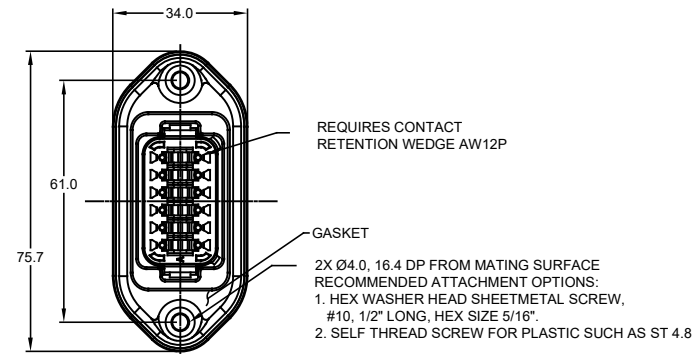
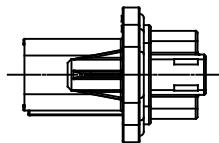
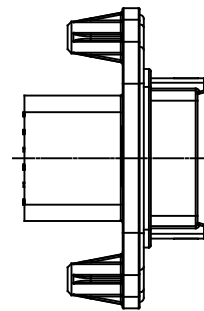
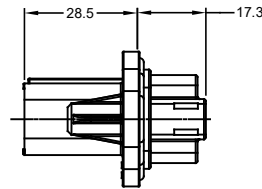


REVISIONS

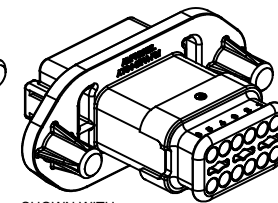
REV	ECO	DESCRIPTION	DATE	BY	APPR
A1	-	RELEASE	14JUL15	JAH	
A2	-	UPDATE	27OCT15	JARRY	TOMMY
A3	-	ADDED -15 & -16 OPTIONS ADDED COLORS TO NOTE #1	23MAR18	JAH	



MOUNTING PLATE SIZE



SHOWN WITH END CAP



SHOWN WITH STRAIN RELIEF

NOTES: UNLESS OTHERWISE SPECIFIED

- MATERIAL:
HOUSING: THERMOPLASTIC; COLOR: PER KEY OPTION
END CAP: THERMOPLASTIC; COLOR: BLACK
STRAIN RELIEF CAP: THERMOPLASTIC; COLOR: BLACK
SEALS: SILICONE RUBBER; COLOR: RED
- MODIFICATIONS: FLANGE, GASKET, END CAP (OPT), STRAIN RELIEF CAP (OPT), REDUCED DIAMETER SEAL (OPT).
- SPECIFICATIONS:
3.1 CURRENT RATING: 13 AMPS
3.2 OPERATING TEMPERATURE: -55°C TO +125°C
3.3 DIELECTRIC WITHSTANDING VOLTAGE: LESS THAN 2 MILLIAMPS CURRENT LEAKAGE @ 1500 VOLTS AC.
3.4 INSULATION RESISTANCE: 1000 MEGOHMS MIN @ 25°C.
3.5 MOISTURE RESISTANCE: IP67 (MATED CONDITION)
3.6 MATING CYCLE DURABILITY: 100 CYCLES
3.7 RoHS COMPLIANT
- MATING PART: AT06-12SX* PLUG
(X = A,B,C,D KEYS; * = MODIFICATIONS AND COLORS)
- ALL DIMENSIONS ARE FOR REFERENCE USE ONLY.

CONTACT SIZE AND REAR SEAL WIRE RANGE

REDUCED DIAMETER SEAL:

CONTACT SIZE	MIN. INSUL O.D.	MAX. INSUL O.D.	TYPICAL WIRE RANGE
16	1.35 mm (.053 in)	3.05 mm (.120 in)	14 - 20 AWG

STANDARD SEAL:

CONTACT SIZE	MIN. INSUL O.D.	MAX. INSUL O.D.	TYPICAL WIRE RANGE
16	2.24 mm (.088 in)	3.68 mm (.145 in)	14 - 20 AWG

SEE SHEET 2 FOR KEYS		PART NUMBER		DESCRIPTION		ITEM
QUANTITY						
MATERIALS LIST						
UNLESS OTHERWISE SPECIFIED		SIGNATURES		DATE		
1) All dimensions are in metric (mm)		DRAWN: J. HEAD		14JUL15		
2) Tolerances are as follows:		CHECKED:				
1 PL DEC ±0.30		ENGINEER:				
2 PL DEC ±0.15		APPROVAL:				
3 PL DEC ±0.08		CUSTOMER:				
3) Note reference =		THIS DRAWING IS SUPPLIED FOR INFORMATION ONLY. DESIGN FEATURES, SPECIFICATIONS AND PERFORMANCE DATA SHOWN HEREON ARE THE PROPERTY OF THE AMPHENOL CORPORATION. NO RIGHTS OF REPRODUCTION ARE IMPLIED. ALL DIMENSIONS ARE SUBJECT TO NORMAL MANUFACTURING VARIATIONS.		<p>Amphenol</p> <p>Sine Systems - www.amphenol-sine.com 44724 Morley Drive Clinton Township, MI 48036</p>		
MATERIAL SPECIFICATIONS:		CUSTOMER:		RECEPTACLE, 12 PIN, AT SERIES, W/FLANGE		
PROCESS SPECIFICATIONS:		NEXT ASSY:		SIZE: B	TYPE: C-	DWG NO: AT04-12PX-PMXX
				SCALE: NONE	REVISION: A3	SHEET 1 OF 2

TITLE: RECEPTACLE, 12 PIN, AT SERIES, W/FLANGE
DWG NO: AT04-12PX-PMXX
REV: A3
SHEET 1 OF 2

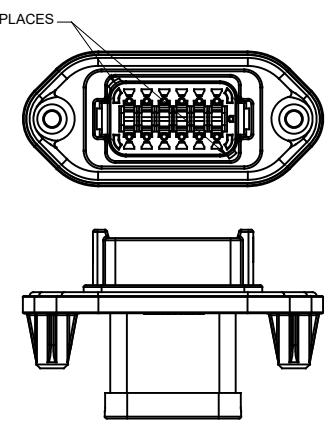
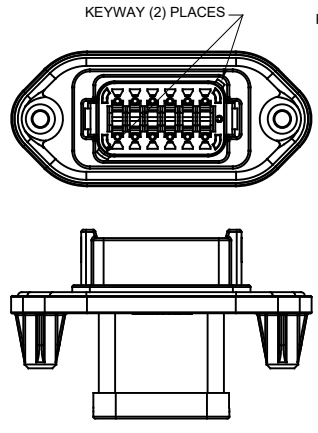
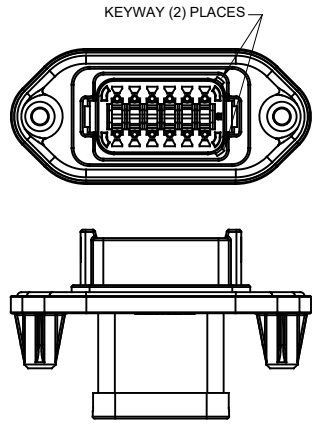
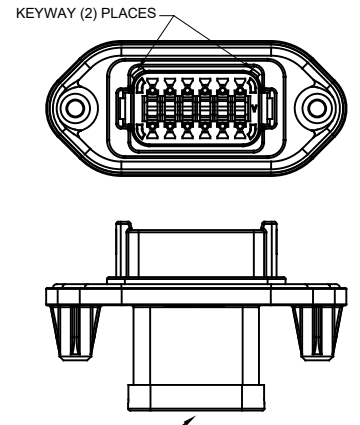
REVISIONS					
REV	ECO	DESCRIPTION	DATE	BY	APPR
A1	-	RELEASE	14JUL15	JAH	
A2	-	UPDATE	27OCT15	JARRY	TOMMY
A3	-	ADDED -15 & -16 OPTIONS ADDED COLORS TO NOTE #1	23MAR18	JAH	

P/N AT04-12PA-PMXX
KEY-A CONFIGURATION
STANDARD HOUSING COLOR: GREY

P/N AT04-12PB-PMXX
KEY-B CONFIGURATION
STANDARD HOUSING COLOR: BLACK

P/N AT04-12PC-PMXX
KEY-C CONFIGURATION
STANDARD HOUSING COLOR: GREEN

P/N AT04-12PD-PMXX
KEY-D CONFIGURATION
STANDARD HOUSING COLOR: BROWN



KEY-A CONFIGURATION

PART NUMBER	SEAL	END CAP	STRAIN RELIEF
AT04-12PA-PM11	STANDARD	NO	NO
AT04-12PA-PM12	REDUCED DIA.	NO	NO
AT04-12PA-PM13	STANDARD	YES	NO
AT04-12PA-PM14	REDUCED DIA.	YES	NO
AT04-12PA-PM15	STANDARD	NO	YES
AT04-12PA-PM16	REDUCED DIA.	NO	YES

KEY-B CONFIGURATION

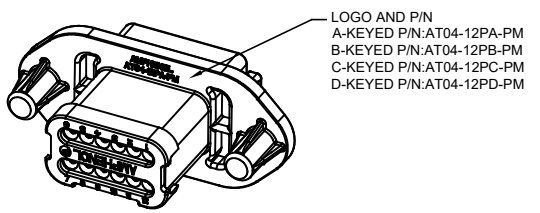
PART NUMBER	SEAL	END CAP	STRAIN RELIEF
AT04-12PB-PM11	STANDARD	NO	NO
AT04-12PB-PM12	REDUCED DIA.	NO	NO
AT04-12PB-PM13	STANDARD	YES	NO
AT04-12PB-PM14	REDUCED DIA.	YES	NO
AT04-12PB-PM15	STANDARD	NO	YES
AT04-12PB-PM16	REDUCED DIA.	NO	YES

KEY-C CONFIGURATION

PART NUMBER	SEAL	END CAP	STRAIN RELIEF
AT04-12PC-PM11	STANDARD	NO	NO
AT04-12PC-PM12	REDUCED DIA.	NO	NO
AT04-12PC-PM13	STANDARD	YES	NO
AT04-12PC-PM14	REDUCED DIA.	YES	NO
AT04-12PC-PM15	STANDARD	NO	YES
AT04-12PC-PM16	REDUCED DIA.	NO	YES

KEY-D CONFIGURATION

PART NUMBER	SEAL	END CAP	STRAIN RELIEF
AT04-12PD-PM11	STANDARD	NO	NO
AT04-12PD-PM12	REDUCED DIA.	NO	NO
AT04-12PD-PM13	STANDARD	YES	NO
AT04-12PD-PM14	REDUCED DIA.	YES	NO
AT04-12PD-PM15	STANDARD	NO	YES
AT04-12PD-PM16	REDUCED DIA.	NO	YES



TITLE: RECEPTACLE, 12 PIN, AT SERIES, W/FLANGE
DWG. NO.: AT04-12PX-PMXX
REV: A3
SH: 2
OF: 2

QUANTITY	PART NUMBER	DESCRIPTION	ITEM
MATERIALS LIST			
UNLESS OTHERWISE SPECIFIED 1) All dimensions are in metric (mm). 2) Tolerances are as follows: 1 PL DEC ±0.30 Fractions ± 1/64 2 PL DEC ±0.15 Angles ±1° 3 PL DEC ±0.08		SIGNATURES DATE	
DRAWN: J.HEAD		14JUL15	
CHECKED:		ENGINEER:	
APPROVAL:		CUSTOMER:	
MATERIAL SPECIFICATIONS:		THIS DRAWING IS SUPPLIED FOR INFORMATION ONLY. DESIGN FEATURES, SPECIFICATIONS AND PERFORMANCE DATA SHOWN HEREON ARE THE PROPERTY OF THE AMPHENOL CORPORATION. NO RIGHTS OF REPRODUCTION ARE IMPLIED. ALL DIMENSIONS ARE SUBJECT TO NORMAL MANUFACTURING VARIATIONS.	
PROCESS SPECIFICATIONS:		SIZE: B C-	DWG NO: AT04-12PX-PMXX
NEXT ASSY:		SCALE: NONE	REVISION: A3
		SHEET 2 OF 2	

Amphenol

Sine Systems - www.amphenol-sine.com
44724 Morley Drive
Clinton Township, MI 48036

RECEPTACLE, 12 PIN, AT SERIES,
W/FLANGE