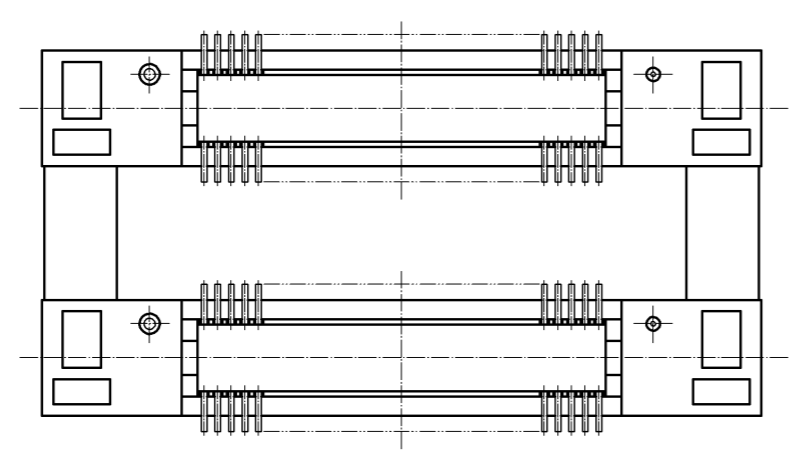
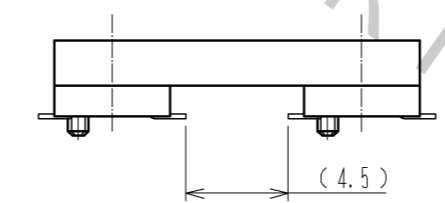
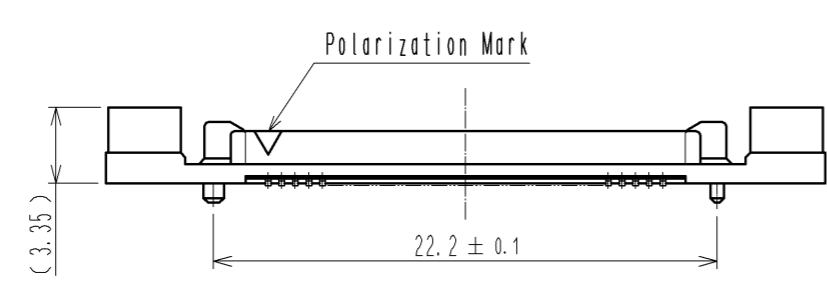
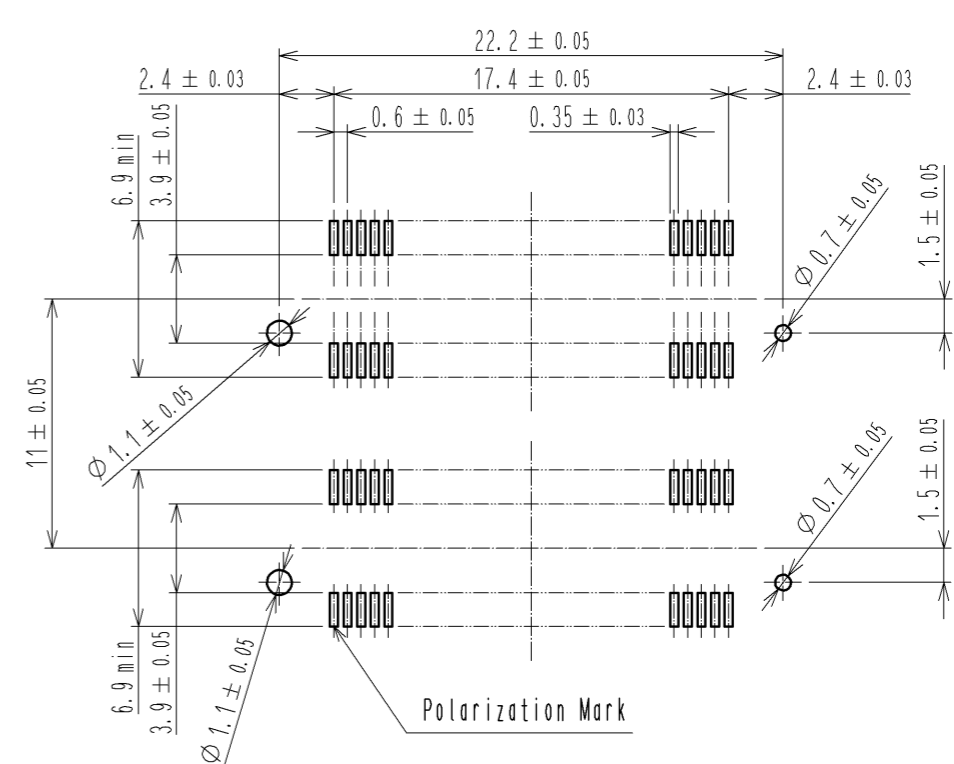


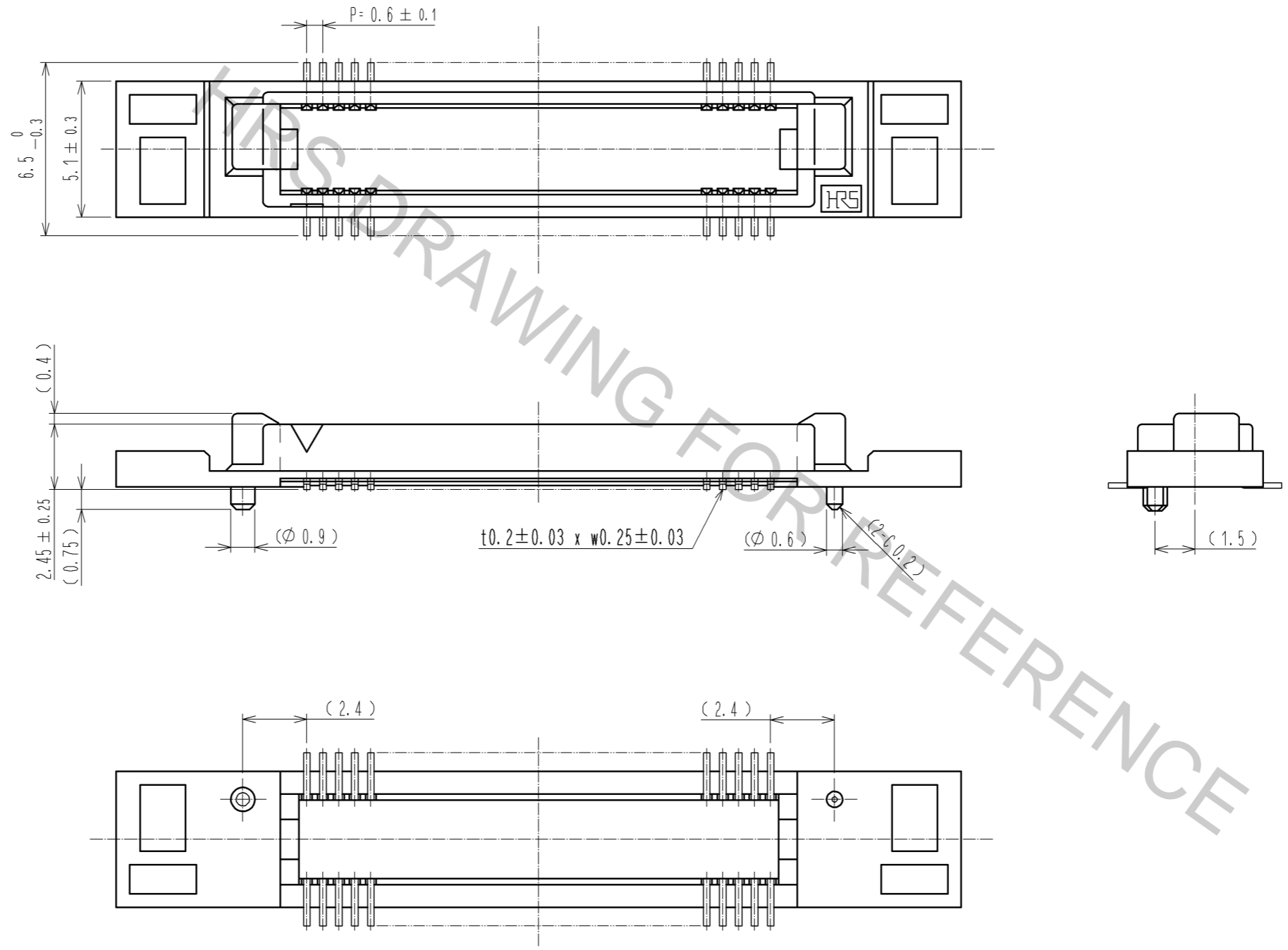
Recommended land pattern dimensions of PCB
(Mounting Side)



- NOTES
- 1 Lead Co-Planarity shall be 0.1mm max.
 - 2 After mounting board, ref.No.3 shall be removed.
 - 3 For modification, etc., preventive hole for sink mark may be added depends on circumstances.
 - 4 The dimensions in parentheses are for reference.

1. 3 PPS		LIGHT BROWN(CUL94V-0)		3	PHOSPHOR BRONZE	CONTACT AREA: Au0.1 μm min.
NO.		MATERIAL		FINISH . REMARKS		LEAD AREA : Au FLASH
						UNDER PLATING: Ni0.5 μm min.
UNITS		SCALE		COUNT		DESCRIPTION OF REVISIONS
mm		Free		△		DESIGNED
						CHECKED
						DATE
HRS HIROSE ELECTRIC CO., LTD.		APPROVED : HS. OKAWA		14. 05. 19		DRAWING NO. EDC3-150684-25
		CHECKED : HT. YAMAGUCHI		14. 05. 19		PART NO. FX8-60/60P11-SVJ(71)
		DESIGNED : KJ. NISHIWAKI		14. 05. 16		CODE NO. CL578-0101-0-71
		DRAWN : KJ. NISHIWAKI		14. 05. 16		△ 1/1

DETAIL AFTER REMOVING JOINT



HRS	DRAWING NO.	EDC3-150684-25
	PART NO.	FX8-60/60P11-SVJ(71)
	CODE NO.	CL578-0101-0-71
		\triangle 2/1