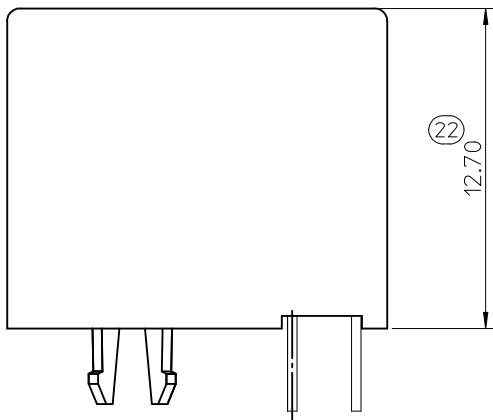


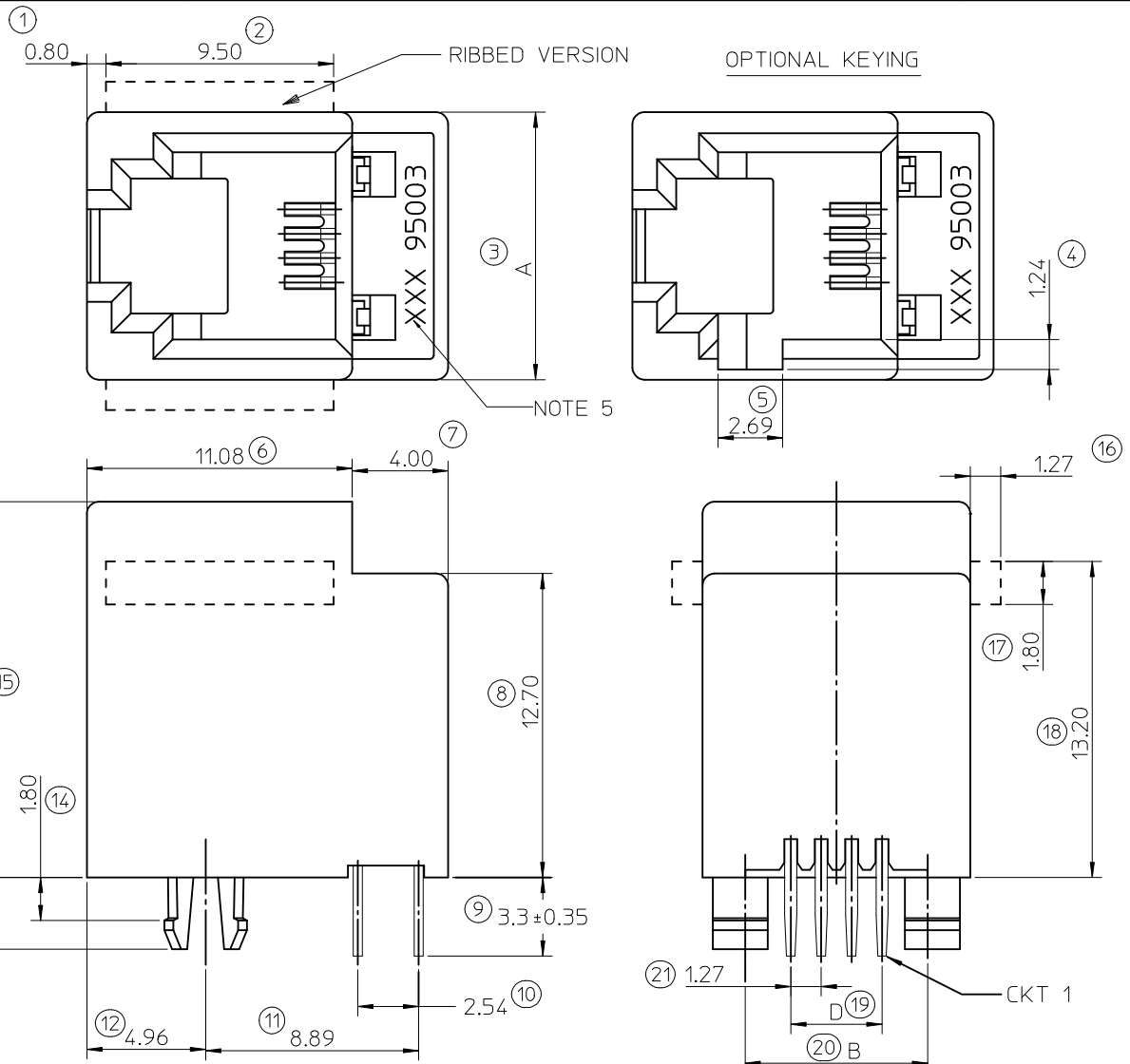
**NOTES :**

- 1- MATERIAL:  
 -HOUSING: LCP FIBER GLASS FILLED UL 94-V0  
 COLOR BLACK.  
 -TERMINAL: COPPER ALLOY  
 - BASE FINISH: NICKEL  
 - CONTACT SURFACE FINISH  
 GOLD  
 OR  
 GOLD FLASH OVER PALLADIUM NICKEL  
 EXCEEDS PRODUCT REQUIREMENTS BASED ON PS-95503-001
- 2- JACK FOR MATING WITH F.C.C. 68 PLUGS  
 90075 MOLEX SERIES.
3. P.C.B. THICKNESS: 1.57
- 4- PRODUCT SPECIFICATION PS-95503-001
- 5- PACKAGING SPECIFICATION:  
 - STANDARD PACKAGING PK-95003 SHEET 1.  
 - TUBE PACKAGING FOR SMT VERSION PK-95003 SHEET 2.  
 - TUBE PACKAGING FOR THROUGH HOLE VERSION  
 PK-95003 SHEET 3.  
 - TAPE AND REEL PACKAGING FOR THROUGH HOLE PK-95503-001.
- 6- MANUFACTURING I.D. CAN BE MXF, MG OR MXI.  
 INSPECTION NUMBERS USED: 1 - 50  
 LAST INSPECTION NUMBER: 22

TYPE \ DIM.	POS. 4	POS. 6		POS. 8
	4 CKTS.	4 CKTS.	6 CKTS.	8 CKTS.
A	11.18	13.21	13.21	15.24
B	7.62	10.16	10.16	11.43
D	3.81	3.81	6.35	8.89



SHORT VERSION



<b>MODIFIED PLATING OPTION</b> EC NO: IPG2012-0589 DRW:DBYRNES 2012/03/29 CHKD:MSHAHAN 2012/03/30 APPR:EFOLAN 2012/06/28	QUALITY SYMBOLS	GENERAL TOLERANCES (UNLESS SPECIFIED)	DIMENSION STYLE	SCALE	DESIGN UNITS	THIRD ANGLE PROJECTION
	▼=0 ◻=0	mm    INCH 4 PLACES ± --- ± --- 3 PLACES ± --- ± --- 2 PLACES ± 0.15 ± --- 1 PLACE ± 0.25 ± --- ANGULAR ± .5 °	MM ONLY	5:1	METRIC	
	DESCRIPTION	DRAFT WHERE APPLICABLE MUST REMAIN WITHIN DIMENSIONS	DRAWN BY: TMARTIN    DATE: 2005/06/15 CHECKED BY: FCARABETTA    DATE: 2005/06/15 APPROVED BY: KNOLLER    DATE: 2005/06/15	TITLE: <b>LOW PROFILE TOP ENTRY JACK (THROUGH HOLE VERSION)</b> MOLEX INCORPORATED		
	REV	SIZE: A3	MATERIAL NO. SEE SHT 4,5	DOCUMENT NO. SD-95503-003	SHEET NO. 1 OF 5	

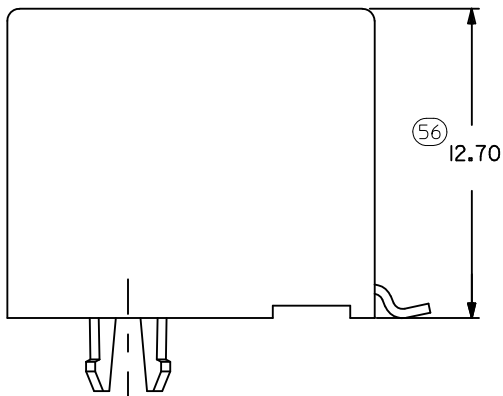
10 9 8 7 6 5 4 3 2 1

**NOTES :**

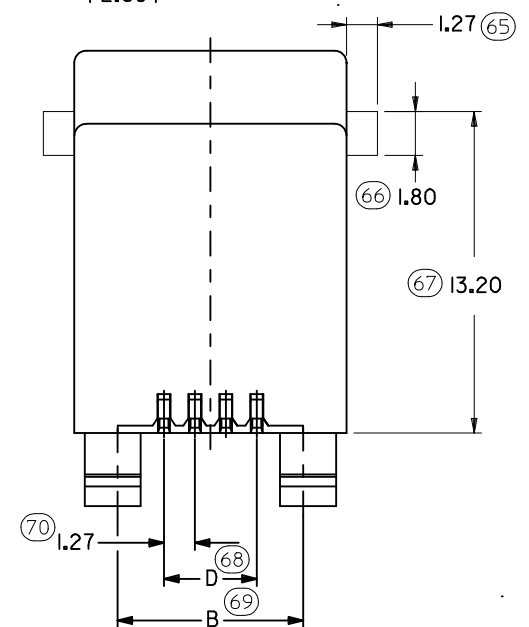
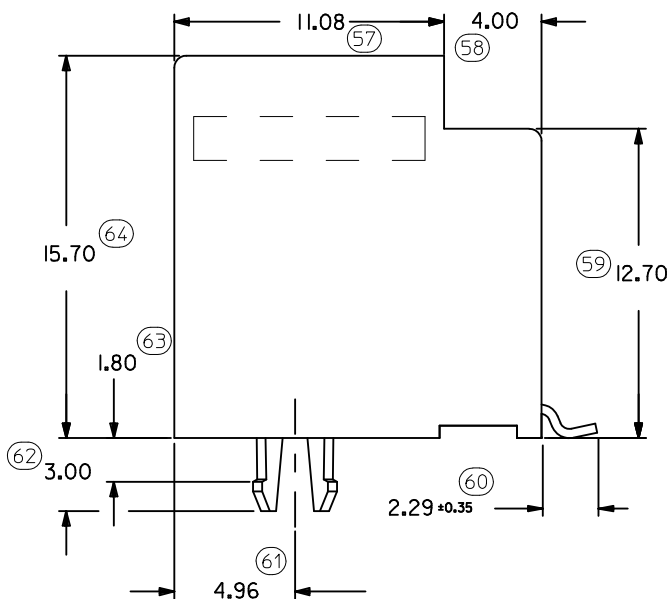
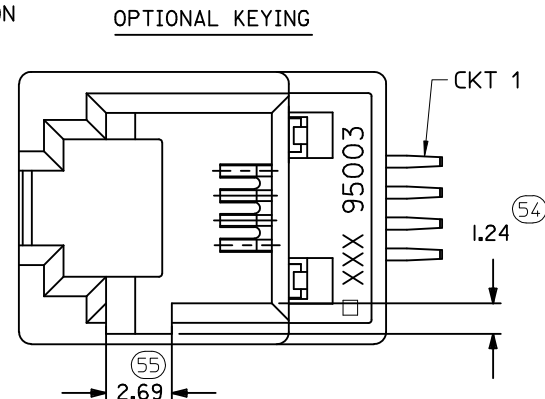
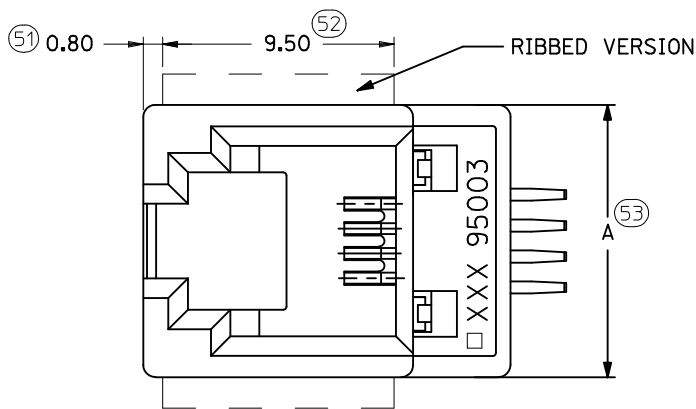
**1- MATERIAL:**

- HOUSING: LCP FIBER GLASS FILLED UL 94-V0  
COLOR BLACK
- 2-APPLICATION SPECIFICATION: AS-85513-001 (SMT)
- 3- SEE OTHER NOTES SHEET 1.
- 4- COPLANARITY OF SIGNAL TAILS 0.1mm MAX  
RELEVANT TO EACH OTHER.

INSPECTION NUMBERS USED: 51 - 100  
LAST INSPECTION NUMBER: 70



SHORT VERSION



DIM.	TYPE	POS. 6		POS. 8
		4 CKTS.	4 CKTS.	8 CKTS.
A		11.18	13.21	15.24
B		7.62	10.16	11.43
D		3.81	3.81	8.89

REMOVED INCHES  
EC NO: E2012-0079  
DRAWN: JOCNOR 2011/03/04  
CHKD:  
APPR: EFOLAN 2011/09/28

QUALITY SYMBOLS

GENERAL TOLERANCES (UNLESS SPECIFIED)

	mm	INCH
4 PLACES	± ---	± ---
3 PLACES	± ---	± ---
2 PLACES	± 0.15	± ---
1 PLACE	± 0.25	± ---
ANGULAR ± .5 °		

DRAFT WHERE APPLICABLE  
MUST REMAIN  
WITHIN DIMENSIONS

DIMENSION STYLE  
**MM ONLY**

DRAWN BY	DATE
TMARTIN	2005/06/19
CHECKED BY	DATE
FCARABETTA	2005/06/19
APPROVED BY	DATE
KNOLLER	2005/06/19

SCALE 5:1  
DESIGN UNITS METRIC  
THIRD ANGLE PROJECTION

**LOW PROFILE T/E JACK (SMT VERSION)**

MOLEX INCORPORATED

MATERIAL NO. SEE SHT. 4, 5  
DOCUMENT NO. SD-95503-003  
SHEET NO. 2 OF 5

THIS DRAWING CONTAINS INFORMATION THAT IS PROPRIETARY TO MOLEX INCORPORATED AND SHOULD NOT BE USED WITHOUT WRITTEN PERMISSION

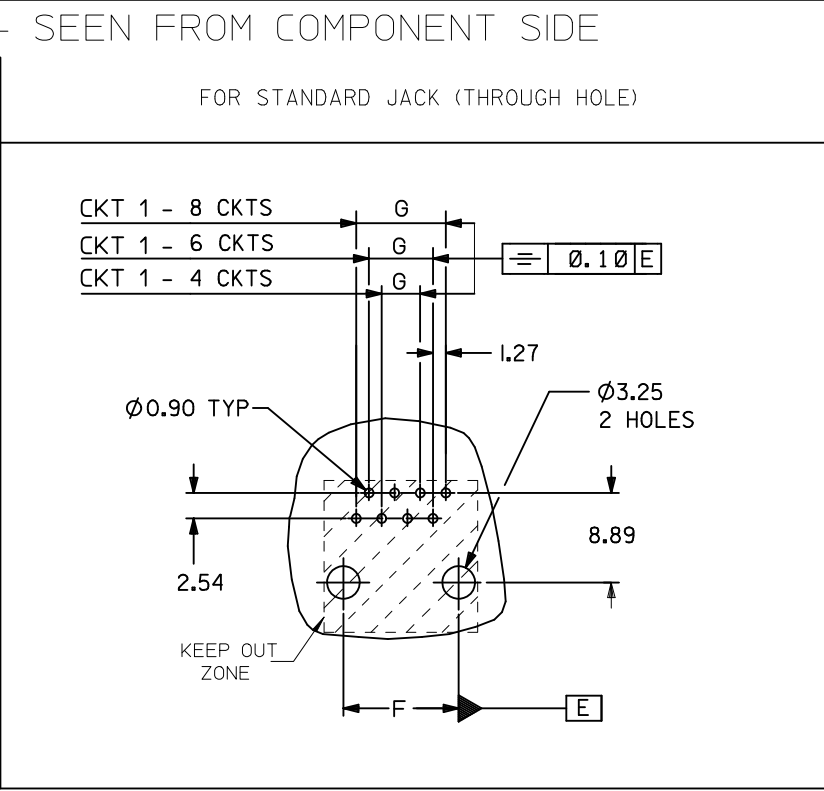
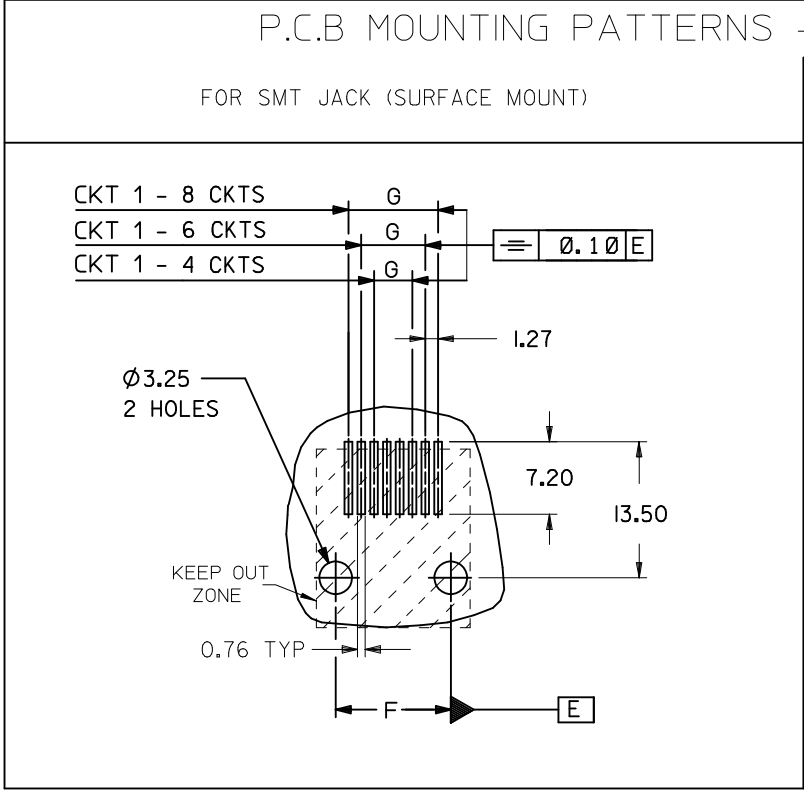
9 8 7 6 5 4 3 2 1

TYPE DIM.	POS. 4	POS. 6		POS. 8
	4 CKTS.	4 CKTS.	6 CKTS.	8 CKTS.
F ±0.05	7.62	10.16	10.16	11.43
G ±0.05	3.81	3.81	6.35	8.89

P.C.B MOUNTING PATTERNS - SEEN FROM COMPONENT SIDE

FOR SMT JACK (SURFACE MOUNT)

FOR STANDARD JACK (THROUGH HOLE)



NOTES:

ALL DIMENSIONS REF DIMENSIONS

REMOVED INCHES EC NO: E2012-0079 DRWN: JCONNOR CHKD: APPR: EFOLAN	DESCRIPTION 2011/03/04 2011/09/28	QUALITY SYMBOLS	GENERAL TOLERANCES (UNLESS SPECIFIED)	DIMENSION STYLE	SCALE	DESIGN UNITS	THIRD ANGLE PROJECTION	
		$\nabla=0$ $\square=0$	mm    INCH 4 PLACES ± --- ± --- 3 PLACES ± --- ± --- 2 PLACES ± 0.15 ± --- 1 PLACE ± 0.25 ± --- ANGULAR ± .5 °	MM ONLY	1:1	METRIC		
			DRAFT WHERE APPLICABLE MUST REMAIN WITHIN DIMENSIONS	DRAWN BY: TMARTIN    DATE: 2005/06/15 CHECKED BY: FCARABETTA    DATE: 2005/06/15 APPROVED BY: KNOLLER    DATE: 2005/06/15	TITLE	LOW PROFILE T/E JACK		
				MATERIAL NO. SEE SHT. 4, 5	DOCUMENT NO. SD-95503-003	MOLEX INCORPORATED SHEET NO. 3 OF 5		

TUBE PACKAGING, SEE PACKAGING SPEC. PK 95003  
SHEET 2

HOUSING SIZE	LOADED CONTACTS
4	4
6	4
6	6
8	8

PART NO FOR JACK ASSEMBLY S.M.T. STANDARD VERSION							
LCP FIBER GLASS FILLED 94V0, COLOR BLACK.							
NO KEY	TOOLED	KEY	TOOLED	NO KEY	TOOLED		TOOLED
NO RIB	TOOLED	NO RIB	TOOLED	RIB	TOOLED		TOOLED
95503-6451	X						
95503-6651	X						
95503-6671	X						
95503-6891	X			95503-6887	X		

PART NO FOR JACK ASSEMBLY S.M.T. SHORT VERSION							
LCP FIBER GLASS FILLED 94V0, COLOR BLACK.							
NO KEY	TOOLED	KEY	TOOLED	NO KEY	TOOLED		TOOLED
NO RIB	TOOLED	NO RIB	TOOLED	RIB	TOOLED		TOOLED
95503-6894	X						

TOOLED	X
NOT TOOLED	

NOTES:  
PLATING: SEE SHEET ONE

<b>ADDED OPTIONS</b> EC NO: IPG2012-0589 DRW:DBR/MS 2012/03/29 CHKD:MSH/AHAN 2012/03/30 APPR:EFOLAN 2012/06/28	QUALITY SYMBOLS ▽=0 ◻=0	GENERAL TOLERANCES (UNLESS SPECIFIED) mm INCH 4 PLACES ± --- ± --- 3 PLACES ± --- ± --- 2 PLACES ± --- ± --- 1 PLACE ± --- ± --- ANGULAR ± ---°	DIMENSION STYLE <b>MM ONLY</b> DRAWN BY DATE TMARTIN 2005/06/16 CHECKED BY DATE FCARABETTA 2005/06/16 APPROVED BY DATE KNOLLER 2005/06/16	SCALE --- DESIGN UNITS METRIC THIRD ANGLE PROJECTION	TITLE LOW PROFILE T/E JACK SMT VERSION
	DRAFT WHERE APPLICABLE MUST REMAIN WITHIN DIMENSIONS		MATERIAL NO. SEE CHART	DOCUMENT NO. SD-95503-003	SHEET NO. 5 OF 5
	THIS DRAWING CONTAINS INFORMATION THAT IS PROPRIETARY TO MOLEX INCORPORATED AND SHOULD NOT BE USED WITHOUT WRITTEN PERMISSION				
	MOLEX INCORPORATED				