

10115240- X X X X X LF

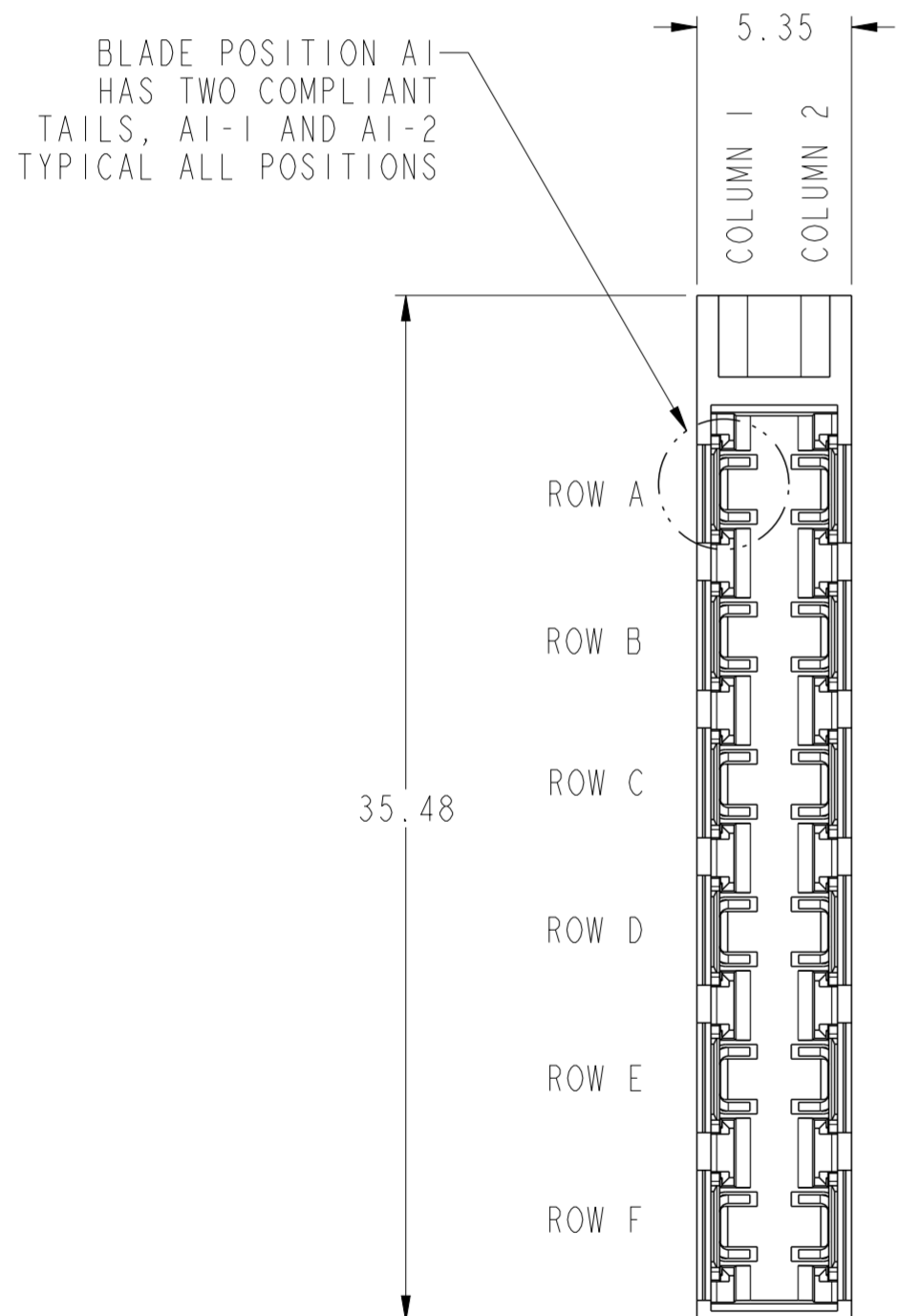
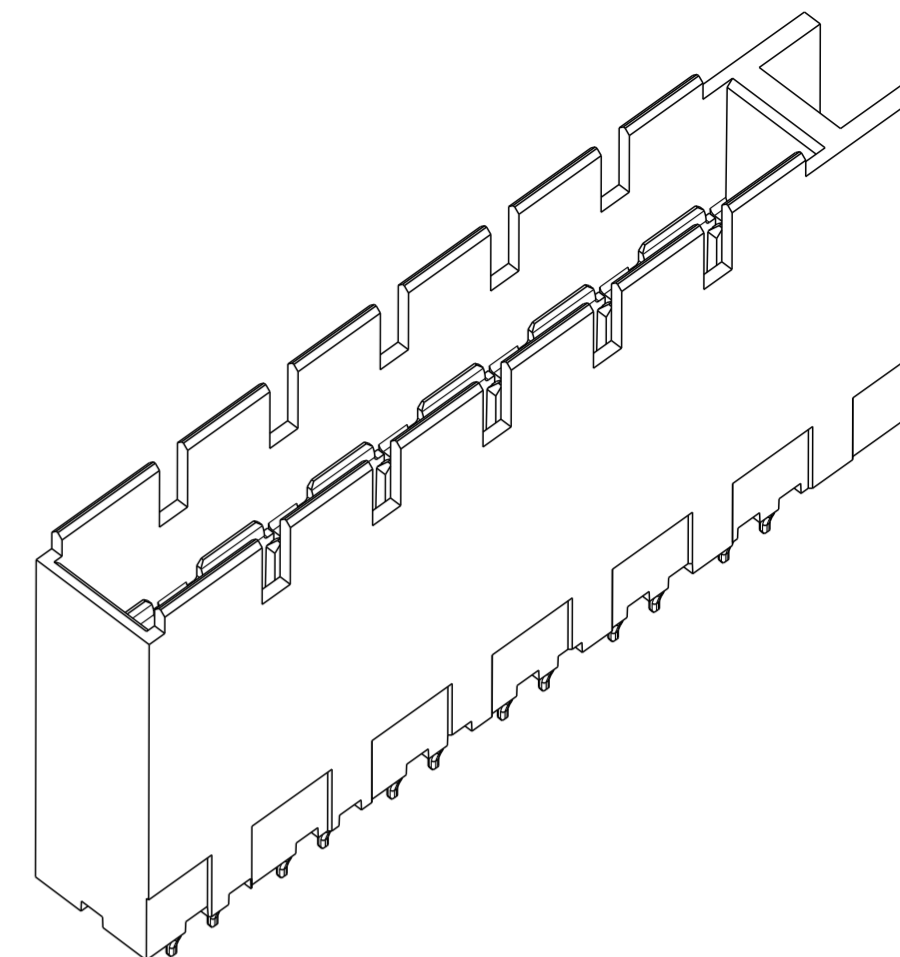
LEAD-FREE DESIGNATION ADDED ONLY WHEN APPLICABLE.

SEQUENTIALLY ASSIGNED FOR CUSTOM LOADING CONFIGURATIONS (SEE TABLE, SHEET 5)
"00" FOR STANDARD LOADING (UNIFORM CONTACT LENGTH, ALL POSITION)

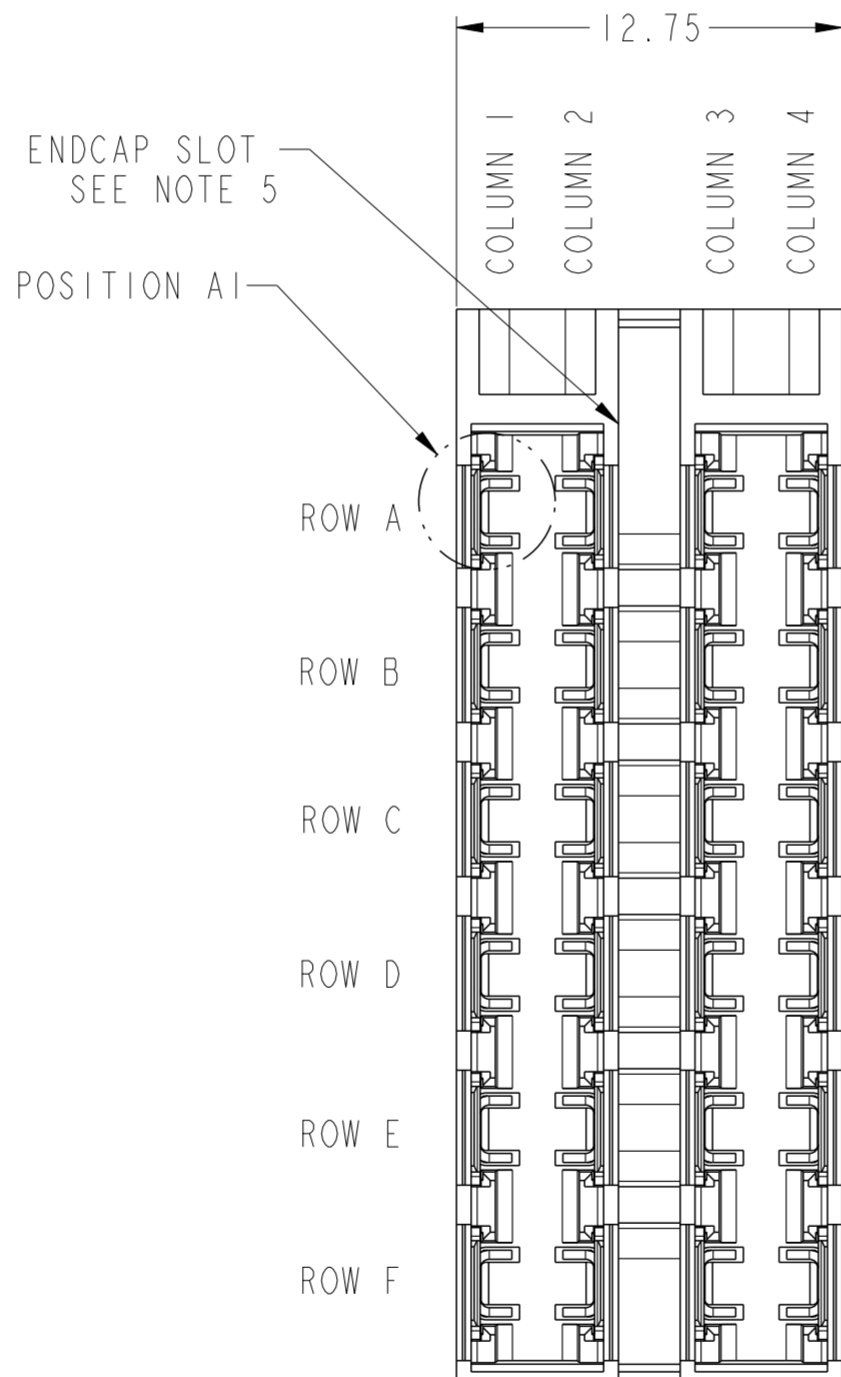
PLATING CODE	
I	SEPARABLE INTERFACE: PERFORMANCE-BASED PLATING, TELCORDIA CO (SEE NOTE 2) PRESS-FIT TAILS: TIN OR TIN-LEAD BASED ON LEAD-FREE "LF" SUFFIX
5	SEPARABLE INTERFACE: PERFORMANCE-BASED PLATING, TELCORDIA UE (SEE NOTE 2) PRESS-FIT TAIL: TIN OR TIN-LEAD ON BASED ON LEAD-FREE "LF" SUFFIX
D	SEPARABLE INTERFACE: CUSTOMER SPECIFIC PLATING PRESS-FIT TAIL: TIN OR TIN-LEAD ON BASED ON LEAD-FREE "LF" SUFFIX
E	SEPARABLE INTERFACE: CUSTOMER SPECIFIC PLATING PRESS-FIT TAIL: TIN OR TIN-LEAD ON BASED ON LEAD-FREE "LF" SUFFIX

NUMBER OF POWER SLOTS	
1	ONE POWER SLOT ("1-UP" MODULE)
2	TWO POWER SLOTS ("2-UP" MODULE)
3	THREE POWER SLOTS ("3-UP" MODULE)

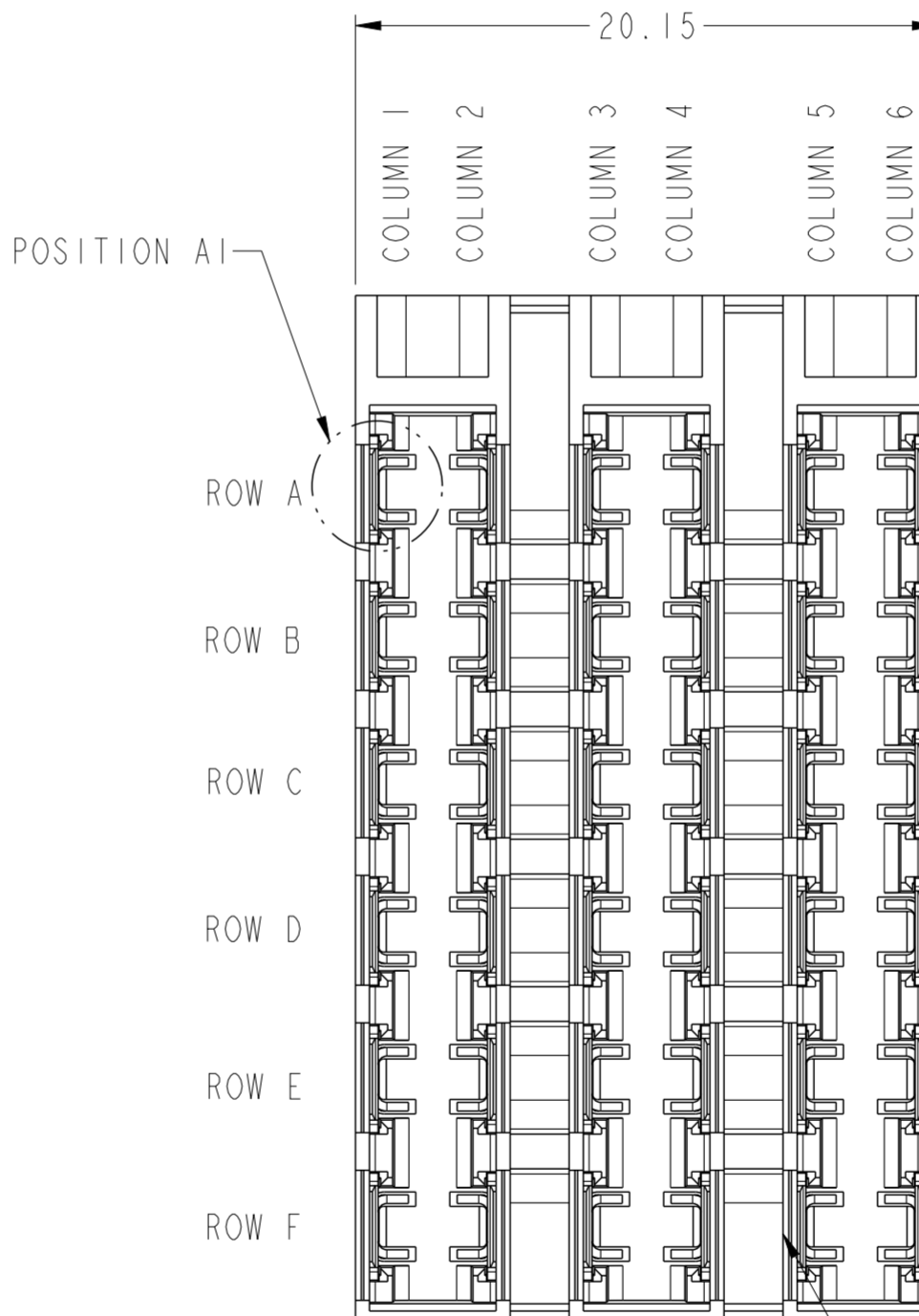
CONTACT WIPE LENGTH	
0	CUSTOM LOADED CONTACTS
1	4.5mm ALL CONTACTS
2	6.0mm ALL CONTACTS
3	7.5mm ALL CONTACTS



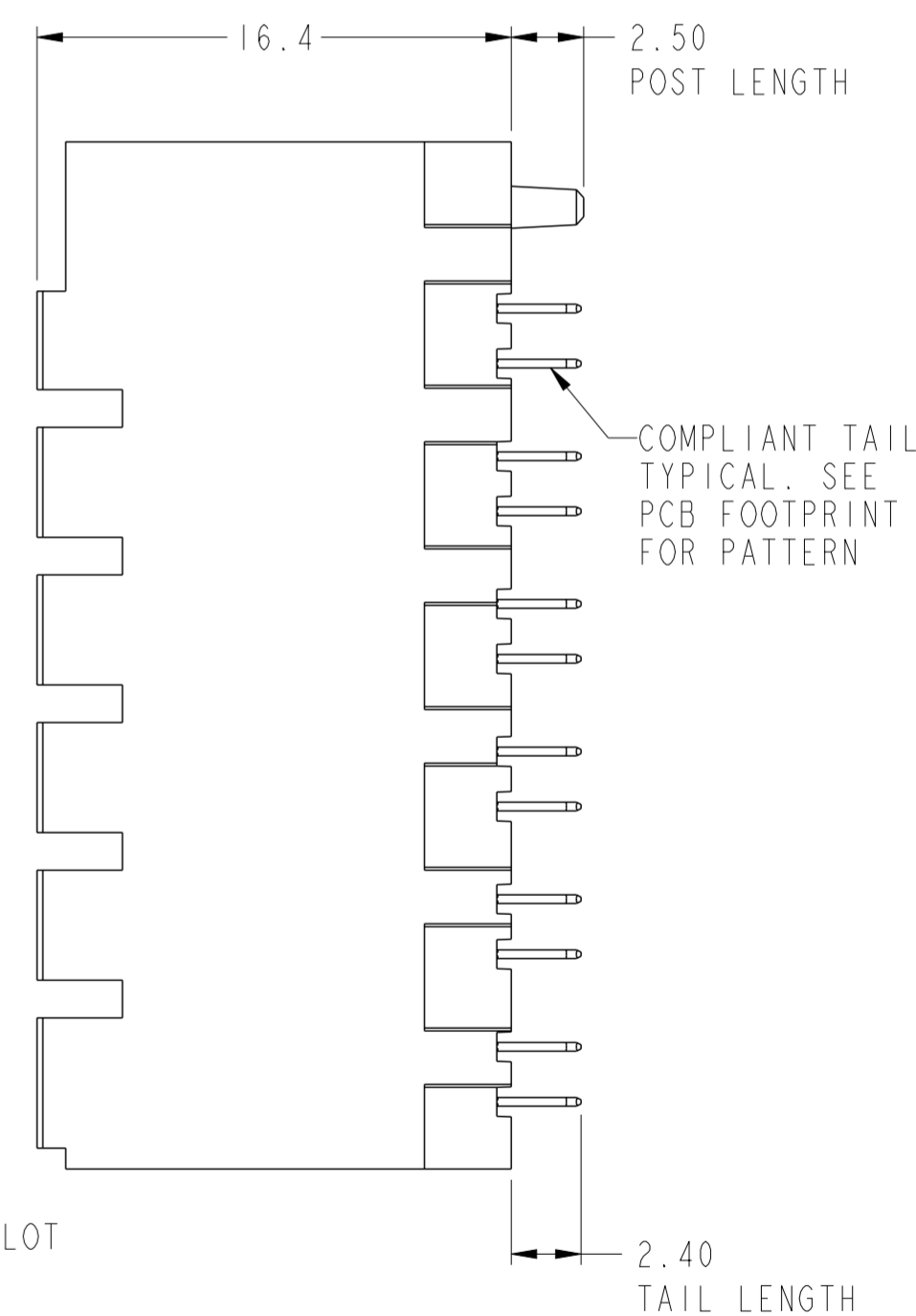
1-SLOT POWER MODULE MATING-FACE VIEW



2-SLOT POWER MODULE MATING-FACE VIEW



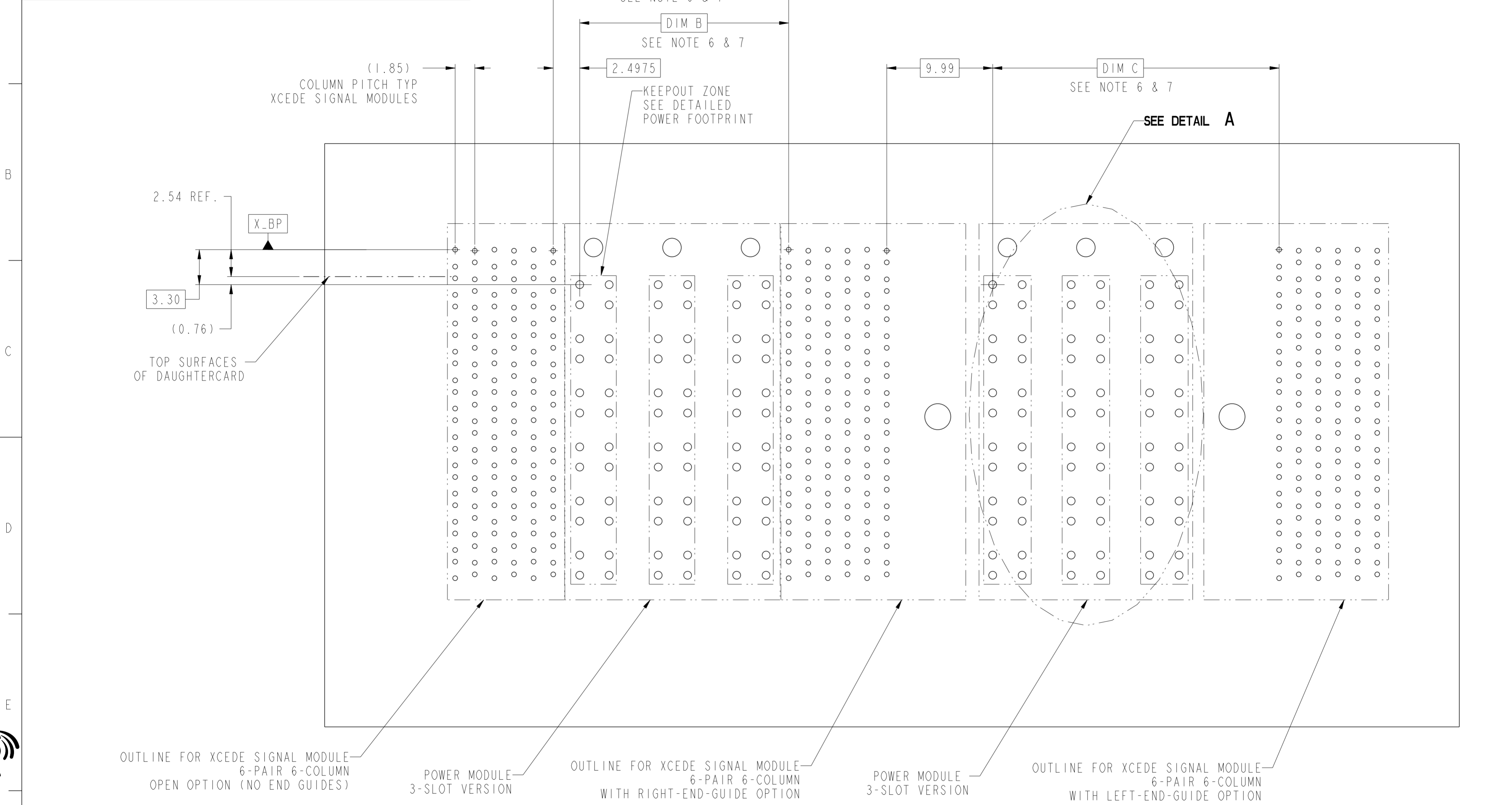
3-SLOT POWER MODULE MATING-FACE VIEW



spec ref	-	dr	Roger Ng	2011/10/09	projection	MM	size	A2	scale	2:1
tolerance std	ASME Y14.5	eng	Lin-Soe Ngwe	2012/11/19			ecn no	-	rel level	Released
TOLERANCES UNLESS OTHERWISE SPECIFIED		chr	-	appr						
surface	linear	0.X	±0.25		product family	XCEDE	cat. no.	10115240	rev	A
		0.XX	±0.13			Module Assembly, Power		Product - Customer Drw	sheet 1 of 5	
	angular	0°	±°			Vertical, 6-Pair, Xcede (Std Profile)				



VARIABLE FOOT PRINT DIMENSIONS			
	DIM A	DIM B	DIM C
1-SLOT POWER MODULE	7.40	4.90	12.21
2-SLOT POWER MODULE	14.80	12.30	19.61
3-SLOT POWER MODULE	22.20	19.70	27.01



OUTLINE FOR XCEDE SIGNAL MODULE
6-PAIR 6-COLUMN
OPEN OPTION (NO END GUIDES)

POWER MODULE
3-SLOT VERSION

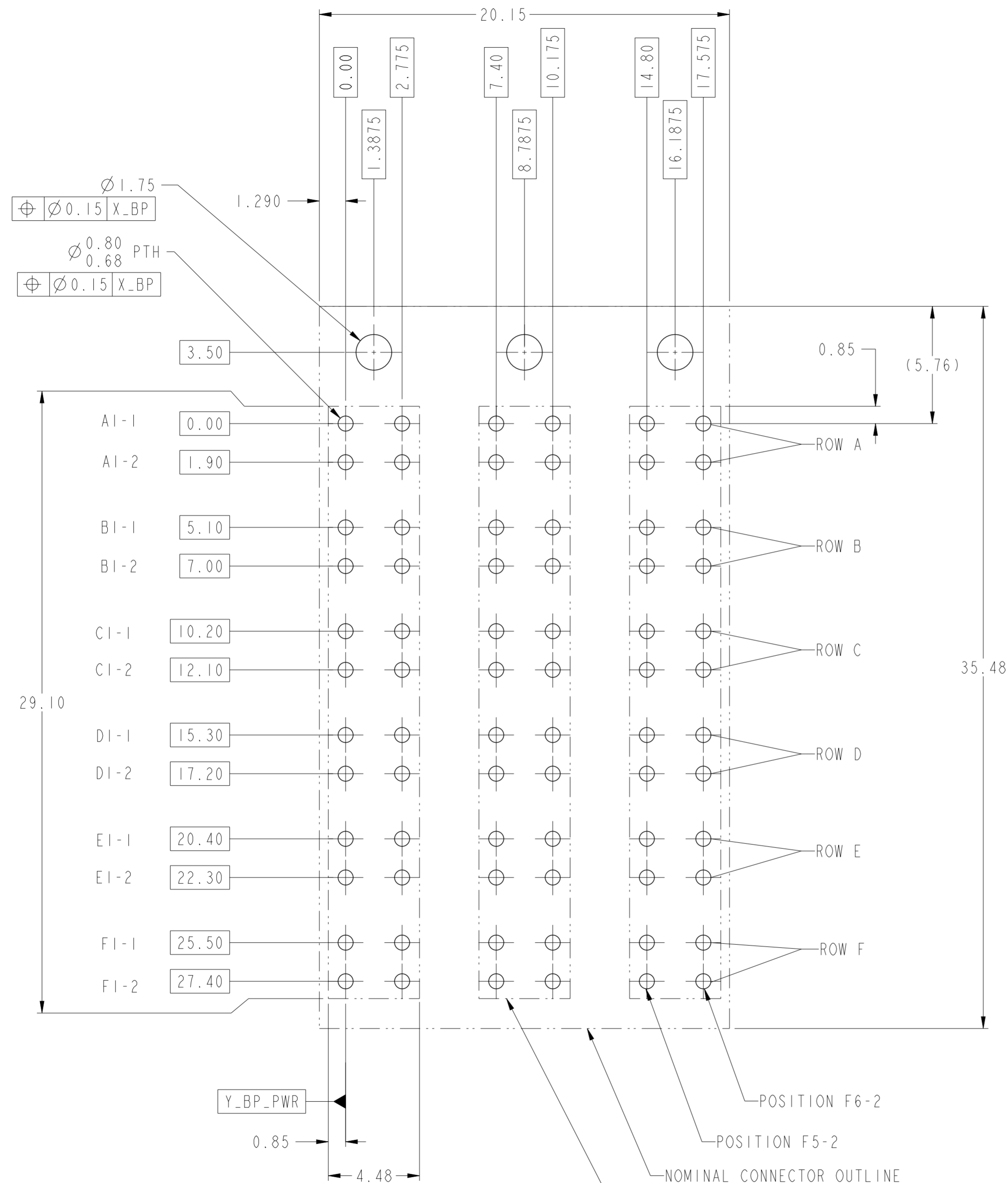
OUTLINE FOR XCEDE SIGNAL MODULE
6-PAIR 6-COLUMN
WITH RIGHT-END-GUIDE OPTION

POWER MODULE
3-SLOT VERSION

OUTLINE FOR XCEDE SIGNAL MODULE
6-PAIR 6-COLUMN
WITH LEFT-END-GUIDE OPTION

POWER MODULE FOOTPRINT LOCATION RELATIVE TO XCEDE SIGNAL MODULES

spec ref	-	dr	Roger Ng	2011/10/09	projection	MM	size	A2	scale	4:1
tolerance std	ASME Y14.5	eng	Lin-Soe Ngwe	2012/11/19	chr	-	ecn no	-	rel level	Released
TOLERANCES UNLESS OTHERWISE SPECIFIED		appr	Chen-Hong Tan	2012/11/19	product family	XCEDE	cat. no.	10115240	rev	A
surface	linear	0.X	±0.25	www.fci.com	title	MODULE ASSEMBLY, POWER	cat. no.	Product - Customer Drw	sheet 2 of 5	
		0.XX	±0.13							
		0.XXX	±							
ASME Y14.5	angular	0°	±°							



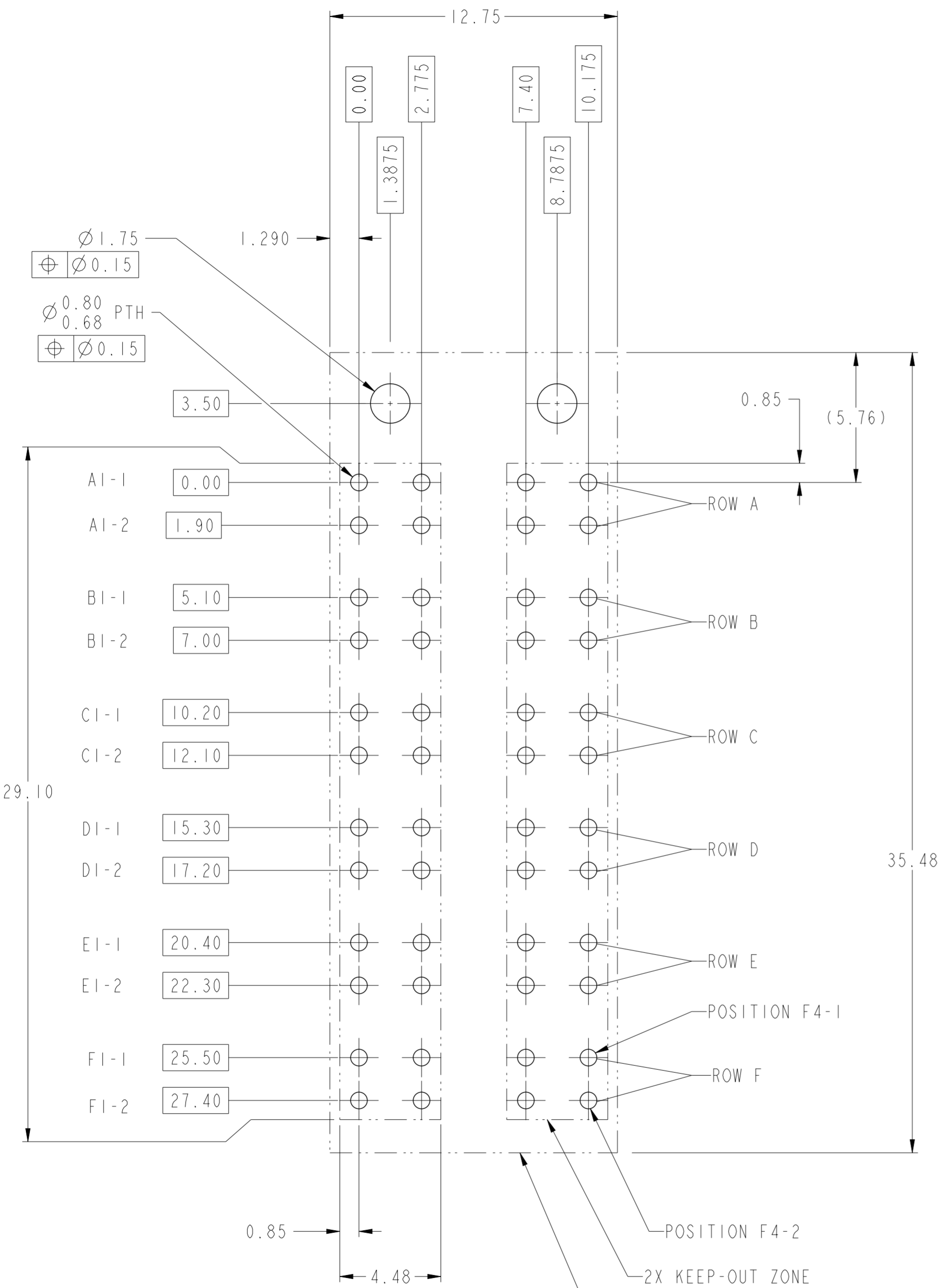
$\varnothing 1.75$
 $\varnothing 0.15$ X_BP
 $\varnothing 0.80$ PTH
 $\varnothing 0.68$
 $\varnothing 0.15$ X_BP

A1-1	0.00
A1-2	1.90
B1-1	5.10
B1-2	7.00
C1-1	10.20
C1-2	12.10
D1-1	15.30
D1-2	17.20
E1-1	20.40
E1-2	22.30
F1-1	25.50
F1-2	27.40

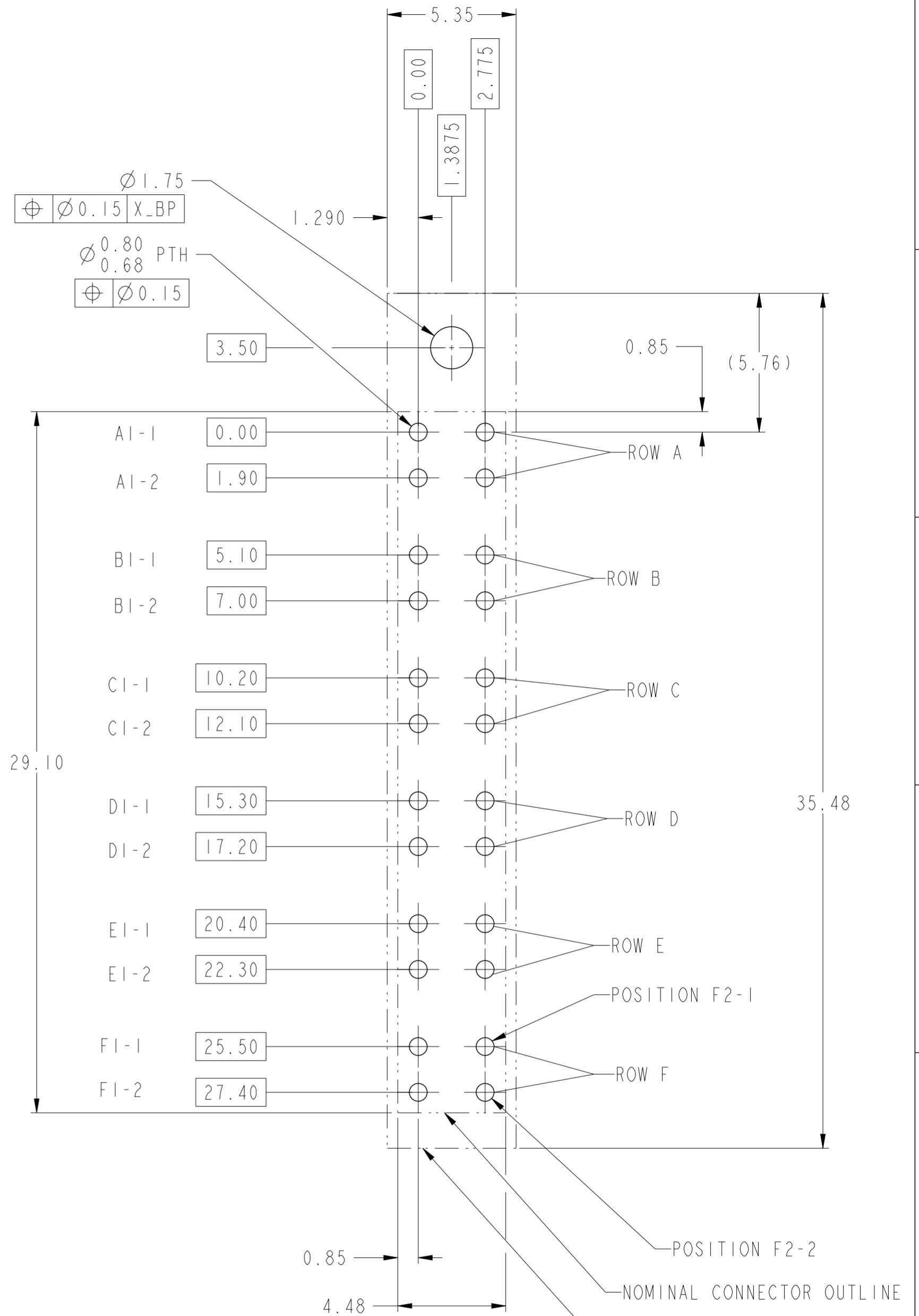
DETAIL A
3-SLOT POWER MODULE FOOTPRINT
SCALE 6:1

spec ref	-	dr	Roger Ng	2011/10/09	projection	MM	size	A2	scale	4:1
tolerance std	ASME Y14.5	eng	Lin-Soe Ngwe	2012/11/19	chr	-	ecn no	-	rel level	Released
surface	✓	appr	Chen-Hong Tan	2012/11/19	product family	XCEDE	cat. no.	10115240	rev	A
ASME Y14.5	linear	0.X	±0.25	0.XX	±0.13	0.XXX	±-	angular	0°	±°

Copyright FCI. FCI



2-SLOT POWER MODULE FOOTPRINT
SCALE 6:1



1-SLOT POWER MODULE FOOTPRINT
SCALE 6:1

Copyright FCI.

spec ref	-	dr	Roger Ng	2011/10/09	projection	MM	size	A2	scale	4:1
tolerance std	ASME Y14.5	eng	Lin-Soo Ngwe	2012/1/19	chr	-	ecn no	-	rel level	Released
surface	✓	appr	Chen-Hong Tan	2012/1/19	product family	XCEDE	cat. no.	10115240	rev	A
ASME Y14.5	linear	0.X	±0.25	FCI	MODULE ASSEMBLY, POWER	Vertical, 6-Pair, Xcede (Std Profile)	Product - Customer Drw	sheet 4 of 5		
	angular	0°	±°	www.fci.com						

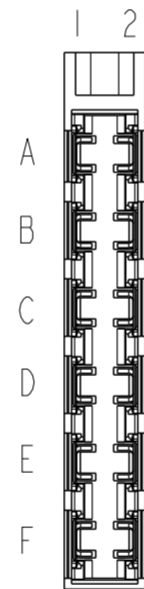
PDS: Rev :A

STATUS:Released

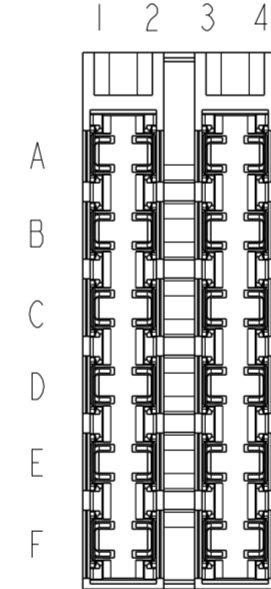
Printed: Nov 20, 2012

NOTES:

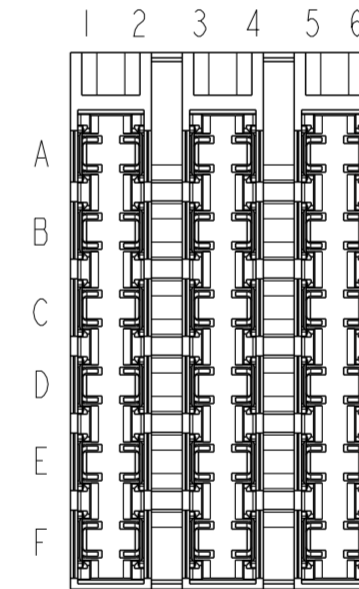
1. CONNECTOR MATERIALS:
HOUSING: HIGH-TEMP THERMOPLASTIC, BLACK, UL94V-0
CONTACTS: HIGH PERFORMANCE COPPER ALLOY
2. CONTACT PLATING:
SEPARABLE INTERFACE:
PERFORMANCE -BASED PLATING, QUALIFIED TO MEET THE REQUIREMENTS OF FCI PRODUCT SPECIFICATION GS-12-0989, INCLUDING TELCORDIA GR-1217-CORE (NOVEMBER 1995) CENTRAL OFFICE TEST SEQUENCE.
PRESS FIT TAILS: TIN OR TIN-LEAD ON TAILS, NICKEL UNDERPLATE
3. EACH POWER CONTACT BLADE HAS TWO COMPLIANT PINS
4. THE MODULES SHOWN ON THIS DRAWING MATE WITH FCI DAUGHTERCARD POWER MODULE P/N 10091828-XXX
- ⑤ "2-SLOT" AND "3-SLOT" MODULES WILL ACCEPT DC ENDCAPS BETWEEN DC POWER MODULES WITH NO ADDITIONAL SPACE REQUIREMENTS.
- ⑥ WHEN USING ENDCAPS BETWEEN SIGNAL WAFERS AND DC POWER MODULES, ADD 1.85mm BETWEEN MODULES FOR EACH ENDCAP
- ⑦ FOR EACH ADDITIONAL POWER MODULE, ADD 5.55mm FOR "1-SLOT" MODULES, 12.95mm FOR "2-SLOT" MODULES, AND 20.35mm FOR "3-SLOT" MODULES.
8. PRODUCT SPECIFICATION: GS-12-0989
9. APPLICATION SPECIFICATION: GS-20-0342
- ⑩ NO SURFACE TRACES IN KEEP-OUT ZONE
11. PART MARKING, (PART NUMBER, LOT CODE), ON THIS SURFACE.
12. LEAD-FREE PRODUCT MEETS THE EUROPEAN UNION DIRECTIVES AND OTHER COUNTRY REGULATIONS AS DESCRIBED IN FCI SPECIFICATION GS-22-008.
13. PACKAGING MEETS FCI SPECIFICATION GS-14-920 FOR LEAD FREE LABELLING.



1-SLOT POWER MODULE
MATING- FACE VIEW



2-SLOT POWER MODULE
MATING- FACE VIEW



3-SLOT POWER MODULE
MATING- FACE VIEW

Copyright FCI. FCI

spec ref	-	dr	Roger Ng	2011/10/09	projection	MM	size	A2	scale	2:1												
tolerance std	ASME Y14.5	eng	Lin-Soe Ngwe	2012/11/19			ecn no	-	rel level	Released												
		chr	-	appr			Chen-Hong Tan	2012/11/19	product family	XCEDE												
surface	<table border="1"> <tr> <td>linear</td> <td>0.X</td> <td>±0.25</td> </tr> <tr> <td></td> <td>0.XX</td> <td>±0.13</td> </tr> <tr> <td></td> <td>0.XXX</td> <td>±-</td> </tr> <tr> <td>angular</td> <td>0°</td> <td>±°</td> </tr> </table>	linear	0.X	±0.25		0.XX	±0.13		0.XXX	±-	angular	0°	±°			MODULE ASSEMBLY, POWER Vertical, 6-Pair, Xcede (Std Profile)		title cat. no.	dwg no 10115240	rev A	Product - Customer Drw	sheet 5 of 5
linear	0.X	±0.25																				
	0.XX	±0.13																				
	0.XXX	±-																				
angular	0°	±°																				