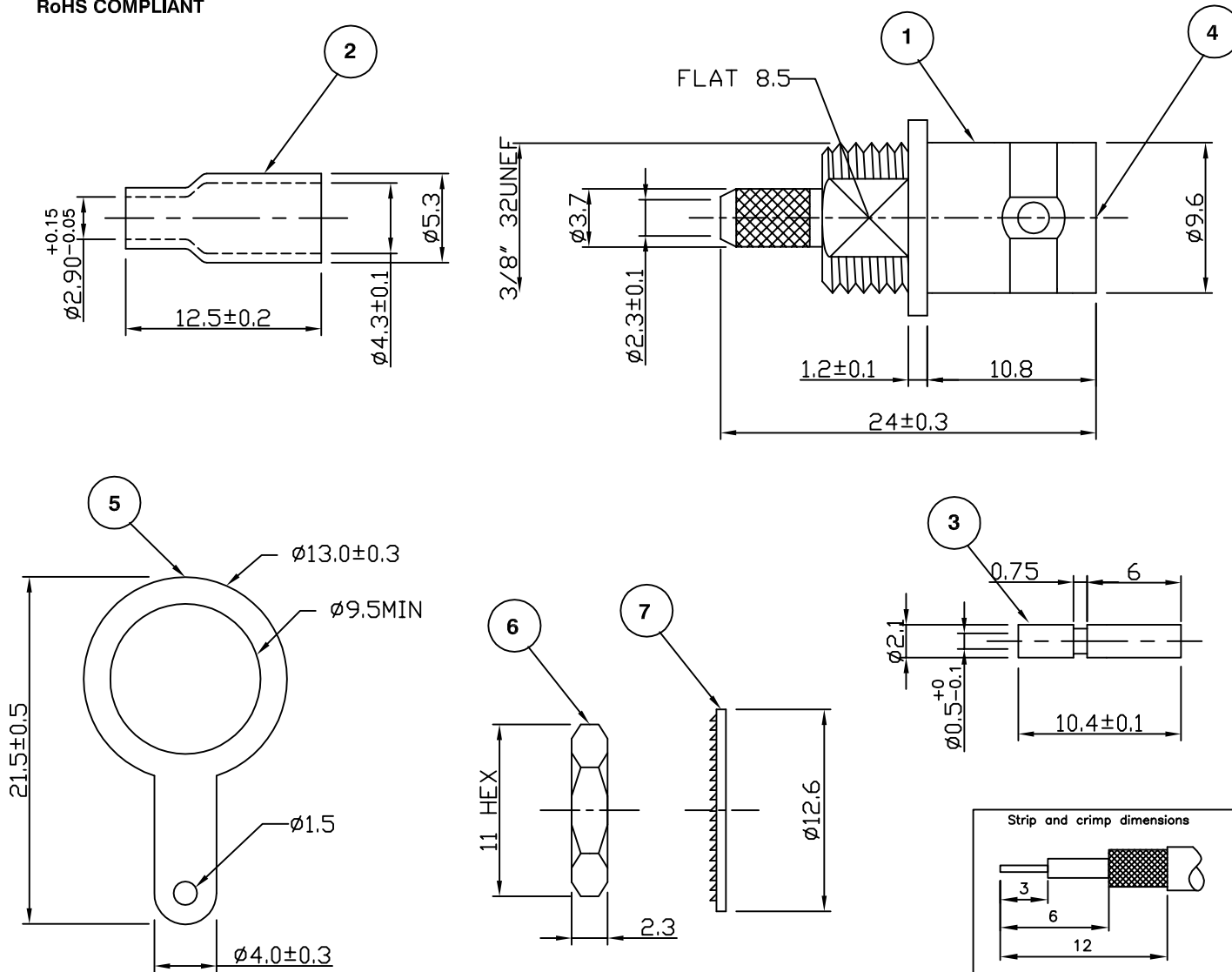


RoHS COMPLIANT



Electrical Characteristics

| | |
|-------------------------------------|-----------------------------|
| Nominal Impedance: | 75 ohms |
| Frequency Range: | DC to 1 GHz |
| VSWR: | 1.3:1 maximum |
| Insertion Loss: | 0.2 dB at 1 GHz |
| Operating Voltage (rms): | 500 V maximum at sea level |
| Dielectric Withstand Voltage (rms): | 1500 V maximum at sea level |
| Contact Resistance: | 1.5 milliohms maximum |
| Insulation Resistance: | 5000 megohms minimum |

Mechanical Characteristics

| | |
|-----------------------|------------------------|
| Mating Cycles: | 500 cycles minimum |
| Interface Dimensions: | Conform to MIL-C-39012 |

Environmental Characteristics

| | |
|--------------------|-------------------|
| Temperature Range: | -65 °C to +165 °C |
|--------------------|-------------------|

| PART | DESCRIPTION |
|------|---|
| 1 | Body Brass, nickel plated 2.54 µm |
| 2 | Ferrule Brass, nickel plated 2.54 µm |
| 3 | Contact Brass, gold plated 0.076 µm - 0.127 µm |
| 4 | Dielectric PTFE |
| 5 | Washer Brass, nickel plated 2.54 µm |
| 6 | Nut Brass, nickel plated 2.54 µm |
| 7 | Washer Steel, nickel plated 2.54 µm |

| DESCRIPTION OF REVISION | APPVD | ISS | DATE |
|-------------------------------------|-------|-----|-------------|
| Dimensional Update on Item3-Contact | JT | 6 | 02 June 10 |
| Dimensional Update on Item5-Washer | JT | 5 | 26 April 10 |
| Strip Dims Added | MS | 4 | 20 Aug 09 |
| Updated Dimensions | LB | 3 | 23 June 09 |
| CAD Issue | SN | 2 | 05 May 02 |
| First Issue | DW | 1 | 20 Feb 98 |

For stripping and assembly instructions see Drawing Number: VAIB6101



Cinch Connectivity Solutions
7-13 Russel Way,
Widford Industrial Estate,
Chelmsford, Essex,
CM1 3AA, UK.
Tel: +44 (0) 1245 359515
Fax: +44 (0) 1245 358938

SCALE: Not To Scale

DIMENSIONS: mm

TOLERANCES:
± 0.2mm unless
otherwise stated

| | |
|--------------|-------------|
| DRAWN BY: | S Nash |
| CHECKED BY: | S Nash |
| APPROVED BY: | P D Couzens |
| DATE: | 05 May 02 |

TITLE:
**BNC Crimp Panel Mount Jack
(front entry) for RG179**

| |
|----------------------------------|
| PART NUMBER: VB60-2061 |
| PAGE: 1 of 1 |