

VSC8247

Quad Port 8.5 Gbps to 11.3 Gbps CDR with EDC

Microsemi's new high-performance clock and data recovery (CDR) IC provides superior signal integrity, speed flexibility, programmable output, and integrated diagnostics for optical applications.

The VSC8247 is a quad channel clock and data recovery (CDR) receiver with on-chip adaptive electronic dispersion compensation (EDC), programmable input equalization, and selectable pre-emphasis output.

Operating at 8.5 Gbps to 11.3 Gbps, the VSC8247 is a versatile CDR and retimer for all 10G Ethernet and SONET applications. VSC8247 also supports 8G Fibre Channel and 10G QDR Infiniband protocols and data rates, and all legacy rates. The VSC8247's flexibility makes it an excellent candidate for upcoming 4x10G and 10x10G CFP modules and high-density photonic integrated circuit (PIC) designs.

Integrated EDC compensates for signal degradations in both the optical and electrical domains. For optical systems, this includes chromatic dispersion in long-haul single mode fiber systems, and modal dispersion in multimode fiber systems. High-performance FFE-DFE EDC technology compensates for fiber signal impairment and PCB-related signal degradation. Feedback from an FEC device can be used for further optimization and enhanced performance.

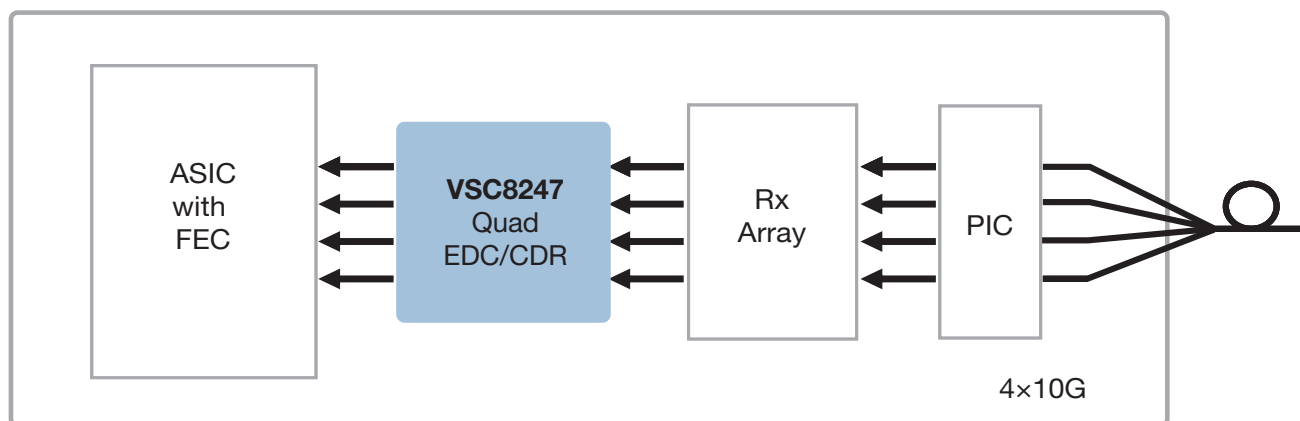
Each channel includes an independent VScope™ input signal monitoring integrated circuit and built-in error detector to facilitate product design, production, and deployment.

Highlights

- Broad application support
- High-performance analog EDC
- High-density receiver

Applications

- Long-haul SMF platforms
- FEC-enabled systems
- 40G/100G CFP module designs: 4x10G, 10x10G, and 10x12G



Linecard

VSC8247

Quad Port 8.5 Gbps to 11.3 Gbps CDR with EDC

Flexibility

- MDIO, two-wire serial master, and two-wire serial slave interfaces
- Embedded microcontroller with on-board RAM for reduced system chip count
- Rx EDC programmable to user-defined values or adaptive mode operation
- Output pre-emphasis and signal programming for optimized signal integrity
- VScope input signal monitoring integrated circuit for optimal eye opening and lower BER
- Power-on reset initializes default mode independently of the serial interface
- Independent per-channel operation and power-down

Key Specifications

- 1.8 V and 1.2 V typical core power supplies (1.2 V to 3.3 V TTL supply)
- 13 mm × 13 mm, 144-pin FCBGA package

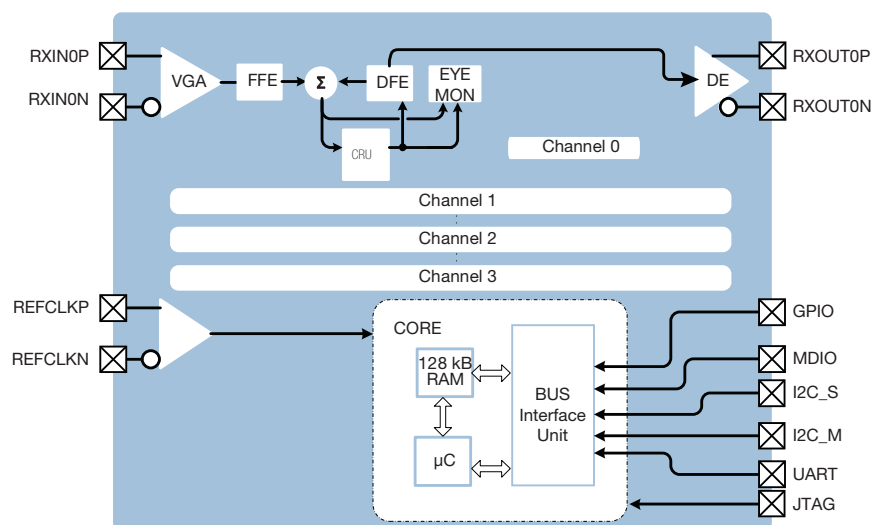
Wide Range of Support

- 8.5G to 11.3G Ethernet
- Legacy 1.25G Ethernet, 2G and 4G Fibre Channel, and 2.5G and 5G Infiniband
- Compliant with IEEE 802.3aq, IEEE 802.3ae, SFF-8431 (SFI), and GR-253 electrical specifications

Related Products

Visit www.microsemi.com for information about these related products:

- VSC3144 6.5 Gbps or 10.709 Gbps 144 × 144 Asynchronous Crosspoint Switch
- VSC3316 11.5 Gbps 16 × 16 Crosspoint Switch and Signal Conditioner
- VSC7878 10 Gbps Linear Transimpedance Amplifier
- VSC7987 10 Gbps Multirate Limiting Post Amplifier



Microsemi

Microsemi Corporate Headquarters
 One Enterprise, Aliso Viejo, CA 92656 USA
 Within the USA: +1 (800) 713-4113
 Outside the USA: +1 (949) 380-6100
 Sales: +1 (949) 380-6136
 Fax: +1 (949) 215-4996
 email: sales.support@microsemi.com
www.microsemi.com

Microsemi Corporation (Nasdaq: MSCC) offers a comprehensive portfolio of semiconductor and system solutions for communications, defense and security, aerospace, and industrial markets. Products include high-performance and radiation-hardened analog mixed-signal integrated circuits, FPGAs, SoCs, and ASICs; power management products; timing and synchronization devices and precise time solutions; voice processing devices; RF solutions; discrete components; enterprise storage and communications solutions, security technologies, and scalable anti-tamper products; Ethernet solutions; Power-over-Ethernet ICs and midspans; custom design capabilities and services. Microsemi is headquartered in Aliso Viejo, California, and has approximately 4,800 employees worldwide. Learn more at www.microsemi.com.