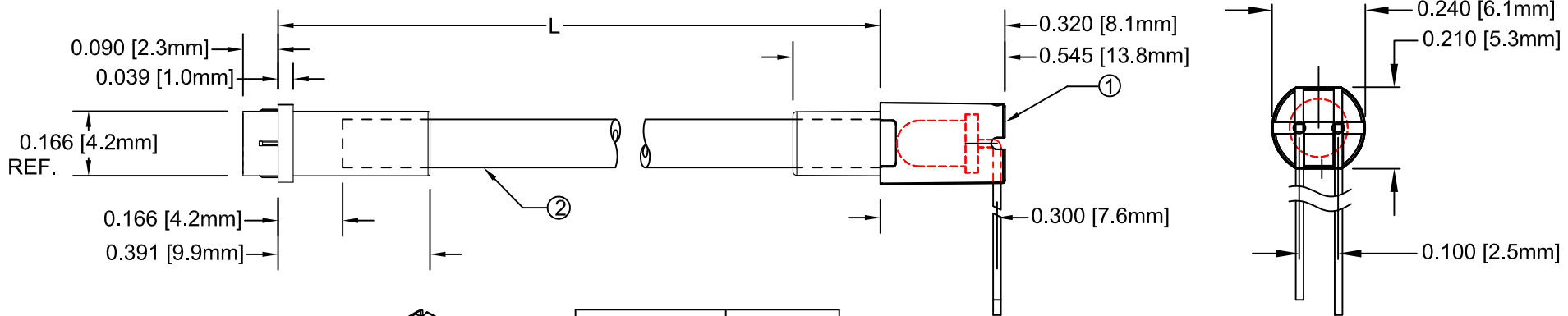


| ITEM | Q'TY | PART NUMBER | PART DESCRIPTION |
|------|------|-------------|---|
| 1 | 1 | FLPR2-XX | Flexible Light Pipe 2mm Adapter, Right Angle w/ LED, See page 2 |
| 2 | 1 | FLPF-XX.X | Flexible Light Pipe Lens Cap Assembly, 2mm Flat Face |

| REV. | DESCRIPTION | DATE | APPROVED |
|------|--|----------|----------|
| A | Engineering Release | 09/14/09 | T. Y. |
| B | Replaced 3UWC-0.6K-F with 3UWC1.035C-F | 04/26/12 | T. Y. |
| C | Updated Table For Length "L" | 11/16/12 | T. Y. |
| | | | |
| | | | |

NOTE: FLPR2-XX ADAPTER SHIPPED NON-ASSEMBLED

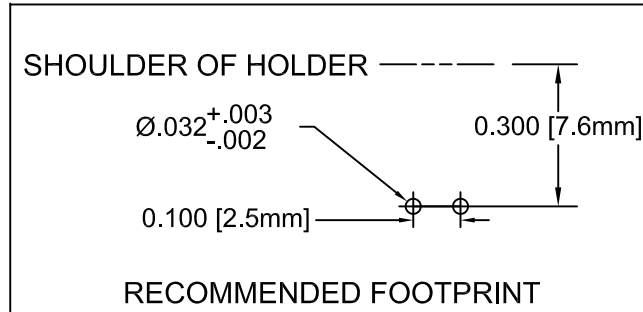
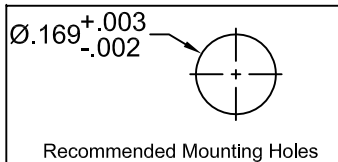
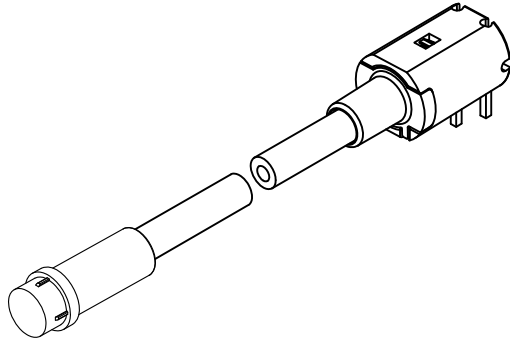


| " L " ** | Tolerance |
|------------------|-----------|
| 1.0" ~ 16.0" | ±0.050" |
| 16.1" ~ 40.0" | ±0.15" |
| 40.1" ~ 80.0" | ±0.30" |
| 80.1" ~ 3,940.0" | ±0.5% |

* Available in 0.1" increments only

SINGLE COLOR LED SHORT LEAD CATHODE

BI-COLOR LED'S



| SHORT LEAD CATHODE | LED PART NO. | LONG LEAD CATHODE |
|--------------------|--------------|-------------------|
| RED | 3xBCC-F | GREEN |
| YELLOW | 3xBCC-Y/G-F | GREEN |
| RED | 3xBCC-R/Y-F | YELLOW |
| AMBER | 3xBCC-A/G-F | GREEN |

ABSOLUTE MAXIMUM RATINGS (Ta=25°C)

| | |
|---|----------------------|
| REVERSE VOLTAGE _____ | 5V |
| REVERSE CURRENT _____ | 100uA |
| OPERATING TEMPERATURE RANGE _____ | -25° C - 85° C |
| STORAGE TEMPERATURE _____ | -30° C - 100° C |
| LEAD SOLDERING TEMPERATURE(1/16" FROM BODY) _____ | 260° C FOR 5 SECONDS |

| | | |
|---|-----------------------|---|
| STANDARD TOLERANCE (UNLESS OTHERWISE SPECIFIED) | | 4 THOMAS, IRVINE, CA. 92618 TEL: (949) 951-8808 FAX: (949) 951-3974 |
| DECIMALS | ANGULAR | |
| .X ±.1 | X° ± 1° | |
| .XX ±.02 | | TITLE: FLEXIBLE LIGHT PIPE ASSY, FLAT FACE, RIGHT ANGLE PART NO: FLP2FRX.X-XXX REVISION: C |
| .XXX ±.010 | | |
| DESIGNED: Brian Oliver | DATE: 09/14/09 | CAGE CODE : 32559 SHEET # 1 OF 2 CAD GENERATED DOCUMENT, DO NOT MEASURE DRAWING. |
| CHECKED: Fred Jensen | DATE: 09/14/09 | |

