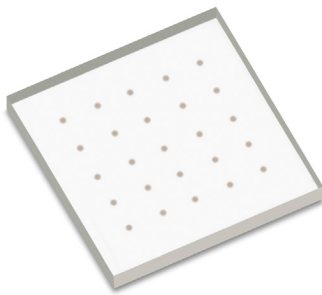




LUXEON UV FC1

Unique LED enabling limitless design freedom



With FlipChip platform technology, LUXEON UV FC1 is the smallest and highest power density (W/cm^2) ultraviolet with FlipChip Technology in a Chip Scale Package (CSP) LED that can be reflowed onto a substrate with standard surface mount (SMT) equipment and process. LUXEON UV FC1 LEDs enable tighter beam control and high packing density of LEDs on a chip on board solution and completely eliminate wire bonds in the system. LUXEON UV FC1 is the ideal choice for cost sensitive applications to achieve high irradiance at high current density, maximizing W/\$ by taking advantage of lowest thermal resistance of a CSP device.

FEATURES AND BENEFITS

- Ultraviolet wavelength range of 380nm to 420nm for a range of options
- Micro sized CSP: $1.0mm^2$ package for design flexibility and packing density
- No wire bonds allows for direct attach and reflow
- 5-sided emitter with batwing radiation pattern
- Low thermal resistance for leading system level W/\$
- Maximum drive current of 1A delivers superior flux for reduced LED count

PRIMARY APPLICATIONS

- Specialty Lighting
 - Analytical Instrumentation
 - Curing
 - Medical
 - Security

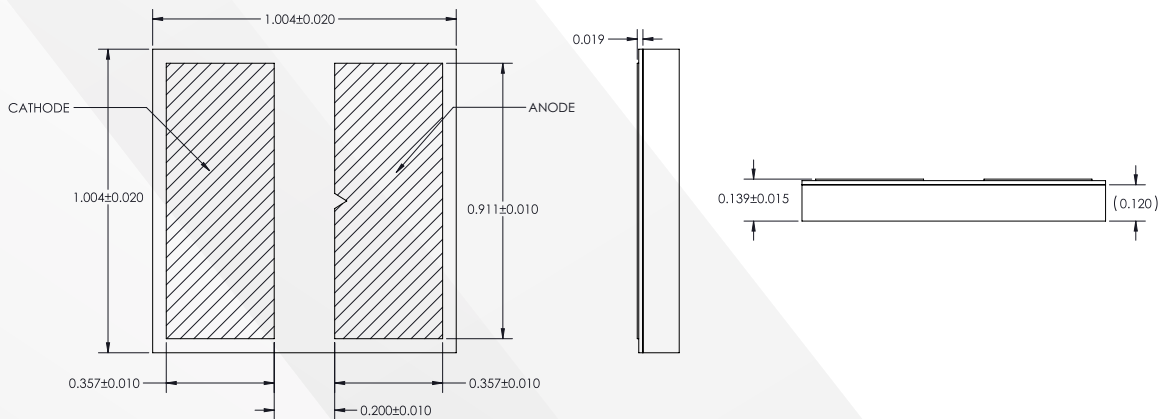
LUXEON UV FC1 product performance at 500mA and 1000mA, $T_j=25^{\circ}\text{C}$.

PEAK WAVELENGTH ^[1] (nm)	TYPICAL RADIOMETRIC POWER ^[2] (mW)		PART NUMBER
	500mA	1000mA	
410–420	650	1228	LxF3-U410100006001
	750	1417	LxF3-U410100007001
400–410	650	1228	LxF3-U400100006001
	750	1417	LxF3-U400100007001
390–400	550	1039	LxF3-U390100005001
	650	1228	LxF3-U390100006001
	750	1417	LxF3-U390100007001
380–390	350	661	LxF3-U380100003001
	450	850	LxF3-U380100004001
	530	1001	LxF3-U380100005001

Notes:

1. Lumileds maintains a tolerance of $\pm 2\text{nm}$ for peak wavelength measurements.
2. Lumileds maintains a tolerance of $\pm 10\%$ for radiometric power measurements.

Mechanical Dimensions.



Notes:

1. Drawings are not scale.
2. All dimensions are in millimeters.