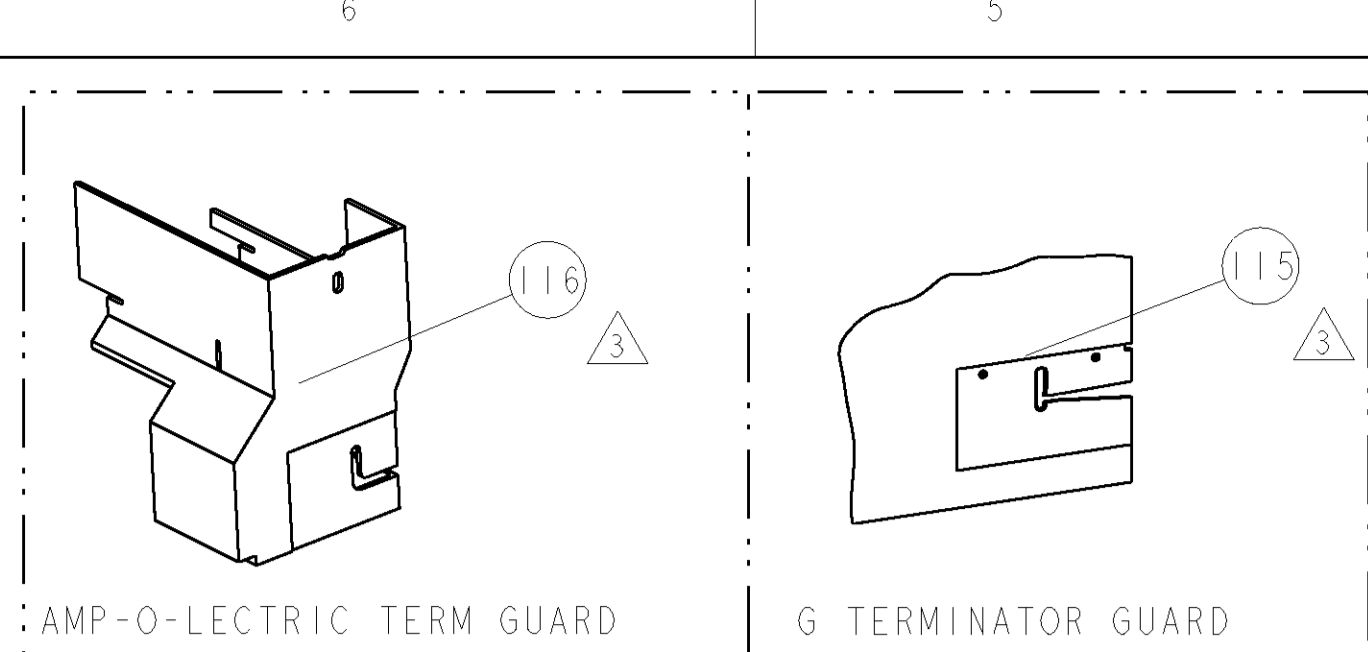


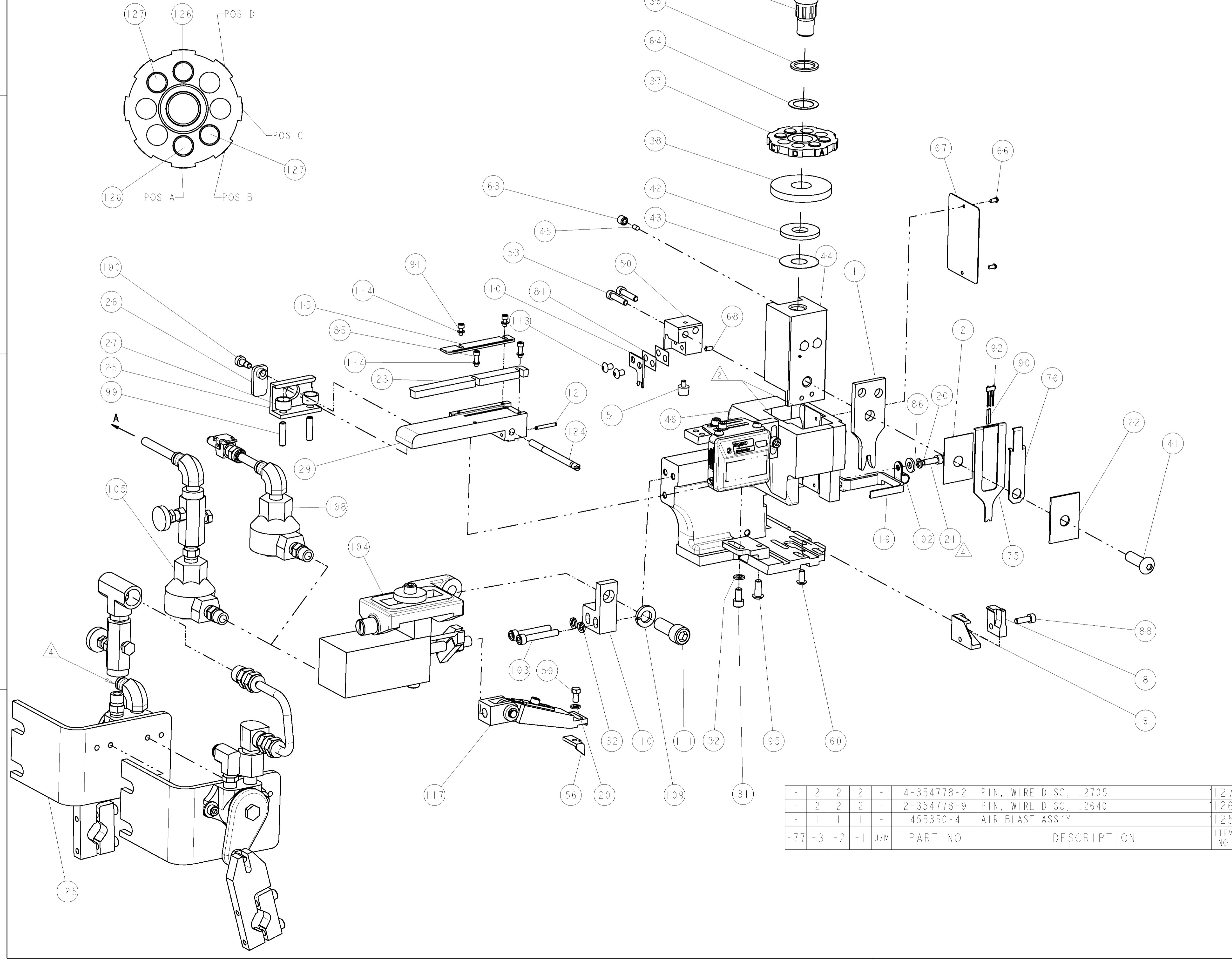
PART NUMBER	REV	FIRST USED	POWER UNIT	FEED TYPE	DESCRIPTION
1852577-1	A	122500-1	LEADMAKER	AIR FEED	CUTS CARRIER
1852577-2	A	565435-5	BENCH MODEL K	AIR FEED	CUTS CARRIER
1852577-3	A	354500-1	BENCH MODEL G	AIR FEED	CUTS CARRIER
7-1852577-7	A	-	-	-	SPARE PARTS



TERMINAL NAME: MEDIUM RING TERMINAL			
TE PN	MANUF PN	ARK-LES TERM - TE CRIMP SPECS	
1949539-1	56586-2	PAD LTR	CRIMP HEIGHT
-	-	A	2.67±0.05mm (.105±.002)
-	-	B	2.51±0.05mm (.099±.002)
-	-	C	-
-	-	D	-
-	-	CRIMP	SIZE
-	-	WIRE	3.56mm (.140)
-	-	INSUL	-
-	-	FEED	11.18mm
-	-	APPLICATOR INSTRUCTIONS	408-8040
-	-	SET UP GAGE	458637-1
WIRE STRIP LENGTH	TERM APPL SPEC	APPLICATOR INSTRUCTIONS	
4.90-5.28mm	NONE	408-8040	

LOC	REV	DESCRIPTION	DATE	OWN	APPR
A	66	PRODUCT RELEASE			

- 1 RECOMMENDED SPARE PARTS
- 2 GREASE LIGHTLY
- 3 GUARD MUST BE IN PLACE WHEN OPERATING APPLICATOR IN A BENCH MACHINE
- 4 INSTALL ITEMS 101, 102 AND 119 ON SIDE OF STRIPPER ON APPL HOUSING USING ITEM 21



ITEM NO	QTY	REV	DESCRIPTION	DATE	OWN	APPR
4	1	1	690432-3	ADJUSTMENT SCREW		124
4	1	1	4-21028-0	PIN, SLOTTED SPRING .094 X .750		121
4	18	REF	27319-4	TUBING 1/4" O.D.		119
4	1	REF	692655-6	AIR FEED VALVE ASSEMBLY		118
4	1	1	461062-1	FEED FINGER ASSEMBLY		117
3	1	REF	455749-1	GUARD WINDOW		116
3	1	REF	679532-1	INSERT, GUARD		115
4	4	4	21024-2	WASHER, SPRG LOCK, REG NO 4		114
2	2	2	2-21002-0	SCR, BTN SKT HD CAP 8-32 X .250		113
1	1	1	3-21001-5	SCR, SKT HD CAP 3/8-16 X 1.000		111
1	1	1	459610-1	MOUNT, FEED BRACKET		110
1	1	1	21024-8	WASHER, SPRG LOCK, REG 3/8		109
1	1	1	692655-7	AIR FEED VALVE ASSEMBLY		108
1	1	1	24024-2	VALVE, SHUT OFF		106
1	1	1	692655-5	AIR FEED VALVE ASSEMBLY		105
1	1	1	461065-1	ASSEMBLY, AIR FEED		104
2	2	2	4-21000-0	SCR, SKT HD CAP 10-32 X 1.250		103
1	1	1	986220-3	CLAMP, CABLE, BLACK		102
1	1	1	23238-1	INSERT, COUPLING		101
1	1	1	22353-8	SCR, SHLD, SLOT HD, 3/16 DIA		100
2	2	2	5-21006-6	SCR, SET, CUP POINT 10-32 X .750		99
1	1	1	2-21002-7	SCR, BTN SKT HD CAP 10-32 X .500		95
1	1	1	1424350-1	HOLDER, PIN, WIRED		92
2	2	2	1-21000-3	SCR, SKT HD CAP 4-40 X .250		91
2	2	2	2-23147-2	SPRING, COMPRESSION		90
1	1	1	2-21000-7	SCR, SKT HD CAP 8-32 X .500		88
1	1	1	21055-7	WASHER, FLAT, REG NO 10		86
2	2	2	1-21000-4	SCR, SKT HD CAP 4-40 X .375		85
2	2	2	4-240641-9	SPACER		81
1	1	1	1490524-2	DEPRESSOR, SPACER		76
1	1	1	1490525-1	DEPRESSOR, WIRE		75
1	1	1	4088040	SF APPL INST 408-8040		72
1	1	1	217238-1	GENERAL INSTRUCTION PKG		71
1	1	1	2-21008-2	SCR, SET, SELF LOCKING 1/4-20 X .250		68
1	1	1	461264-1	PLATE, IDENTIFICATION		67
2	2	2	21017-2	SCREW, DRIVE		66
1	1	1	986950-1	WASHER, FLAT PRECISION		64
1	1	1	21009-2	SCR, SET, SELF LOCKING 1/4-20 X .250		63
1	1	1	22733-8	SCR, BHSC, SELF-LOCKING, 8-32 X .375		60
1	1	1	2-22603-0	SCR, HEX HD CAP 8-32 X .312		59
1	1	1	3-694433-9	FEED PAWL		56
2	2	2	2-21000-9	SCR, SKT HD CAP 8-32 X .750		53
1	1	1	811242-1	BUMPER, HOLD DOWN		51
1	1	1	1583893-6	HOLDER, SLUG BLADE		50
1	1	1	1633399-1	APPL., BASIC AIR FEED SUB ASSY		46
1	1	1	690191-1	PLUG, NYLON		45
1	1	1	455673-6	RAM, SIDE FEED		44
1	1	1	690125-1	SHIM SUB-ASSY		43
1	1	1	690124-1	WASHER, RAM (.115)		42
1	1	1	7-21002-9	SCR, BTN SKT HD CAP 5/16-24 X 1.00		41
1	1	1	690223-1	SPACER, INS.		38
1	1	1	354777-1	WIRE DISC, ASSEMBLY		37
1	1	1	22480-5	SPRING, COMPRESSION		36
1	1	1	690212-1	POST, RAM		35
3	3	3	21024-5	WASHER, SPRG LOCK, REG NO 10		32
1	1	1	3-21000-4	SCR, SKT HD CAP 10-32 X .375		31
1	1	1	3-844048-6	PLATE, REAR STRIP GUIDE		29
2	2	2	1-22284-0	SPRING, COMPRESSION		27
1	1	1	240793-1	LEVER, DRAG RELEASE		26
1	1	1	240792-1	DRAG, TERMINAL		25
1	1	1	1-189124-8	GUIDE, FRONT STRIP		23
1	1	1	1-455888-0	SPACER, CRIMPER		22
1	1	1	2-21000-7	SCR, SKT HD CAP 8-32 X .500		21
2	2	2	21024-4	WASHER, SPRG LOCK, REG NO 8		20
1	1	1	1-456468-1	STRIPPER, SPECIAL		19
1	1	1	1-690438-5	FRONT STRIP GUIDE		15
1	1	1	1-1583859-2	BLADE, SLUG		10
1	1	1	1-1633124-5	PLATE, REAR SHEAR		9
1	1	1	1424383-3	ANVIL, SPECIAL CENTER CARRIER NO INS		8
1	1	1	455888-4	SPACER, CRIMPER		2
1	1	1	9-1673600-1	CRIMPER, WIRE		1

QTY	REV	DESCRIPTION	ITEM NO				
2	2	4-354778-2	PIN, WIRE DISC, .2705	127			
2	2	2-354778-9	PIN, WIRE DISC, .2640	126			
1	1	455350-4	AIR BLAST ASS'Y	125			
-77	-3	-2	-1	U/M	PART NO	DESCRIPTION	ITEM NO

THIS DRAWING IS UNPUBLISHED. RELEASED FOR PUBLICATION. COPYRIGHT © BY TYCO ELECTRONICS CORPORATION. ALL RIGHTS RESERVED.

Tolerance Table:
 DIMENSIONS: INCHES
 9 PLC ±.01
 1 PLC ±.01
 3 PLC ±.001
 4 PLC ±.0001
 ANGLES ±.0001

FINISH: -

Customer Drawing: A1 00779 C=1852577 SCALE: 3:5 SHEET 1 OF 1 REV A

Customer Viewable Assembly