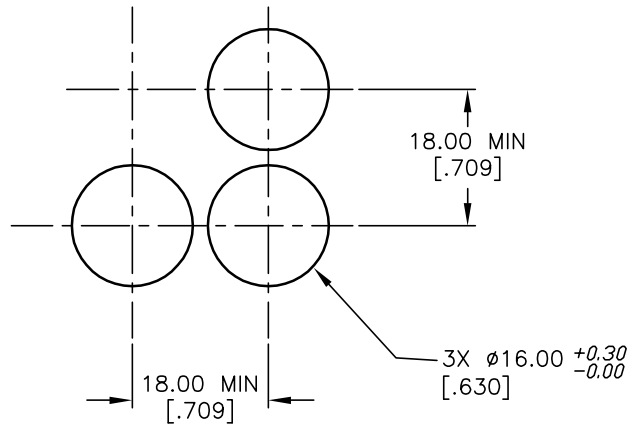
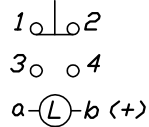


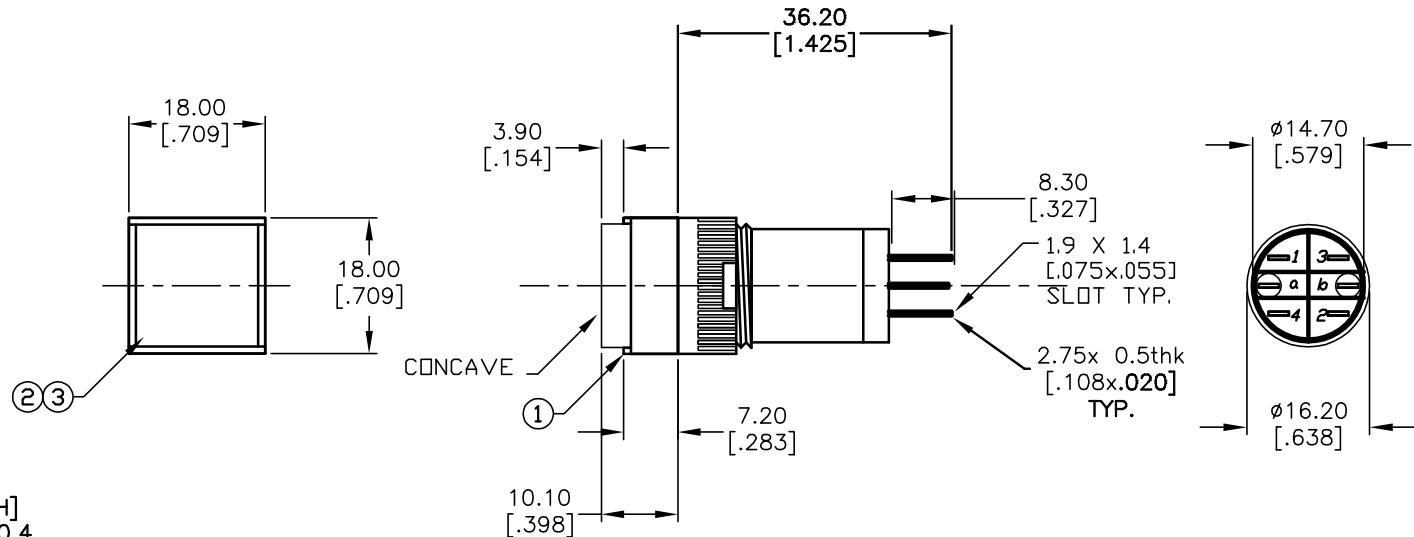
ITEM	QTY.	PART NO.	PART DESCRIPTION
1	1	F040010	P16 OA S11
2	1	F050404	50-004-04 (INCANDESCENT BULB)
3	1	F050301	50-003-01(BLU LENS TRANSPARENT)



RECOMMENDED
PANEL MOUNTING



SPST
CONTACT CONFIGURATION



NOTES:

1. ALL DIMENSIONS IN MM [INCH]
2. GENERAL TOLERANCE: X.X=±0.4
X.XX=±0.25
3. TERM. NOS. FOR REFERENCE ONLY.
4. RATING: 5A@250V AC / 8A@125V AC
5. MECHANICAL LIFETIME: >2 MILLION OPERATIONS
6. TRAVEL: 3.0MM
7. CONTACT MATERIAL: COPPER ALLOY W/SILVER PLATING
8. LAMP VOLTAGE: 14V AC/80mA DC

E-SWITCH®

A	13539	RELEASED FOR PRODUCTION	10/15/03	AR
REV.	ECN No.	DESCRIPTION	DATE	CHKD

TITLE				
P16 OA S11 B BLU (MOMENTARY)				
SCALE	DATE	DR	DWG	REV
1.5:1	10/15/03	AR	XF0365P	A

THE INFORMATION CONTAINED IN THIS DOCUMENT IS PROPRIETARY TO E-SWITCH AND IS NOT TO BE COPIED OR TRANSFERRED