

THE INFORMATION CONTAINED HEREIN IS CONSIDERED "PROPRIETARY" TO BEL FUSE INC. AND SHALL NOT BE COPIED, REPRODUCED OR DISCLOSED WITHOUT THE WRITTEN APPROVAL OF BEL FUSE INC.

RoHS  
2002/95/EC



ELECTRICAL CHARACTERISTICS @ 25°C

URNS RATIO

TP1	1CT : 1CT ±2%
TP2	1CT : 1CT ±2%
TP3	1CT : 1CT ±2%
TP4	1CT : 1CT ±2%

□CL @ 100kHz/100mVRMS

8mA DC BIAS	350μH MIN.
-------------	------------

DC RESISTANCE:

(RJ1-RJ2);(RJ3-RJ6)	1.4 ohms Max.
(RJ4-RJ5);(RJ7-RJ8)	1.4 ohms Max.

INS. LOSS

100kHz TO 100MHz	-1.1 dB MAX
------------------	-------------

RET. LOSS (MIN)

1MHz-30MHz	-18 dB
30MHz-100MHz	-12+20LOG(f/80MHz) dB

CROSS TALK:

1MHz - 60MHz	-35 dB MIN
60Hz - 100MHz	-25 dB MIN

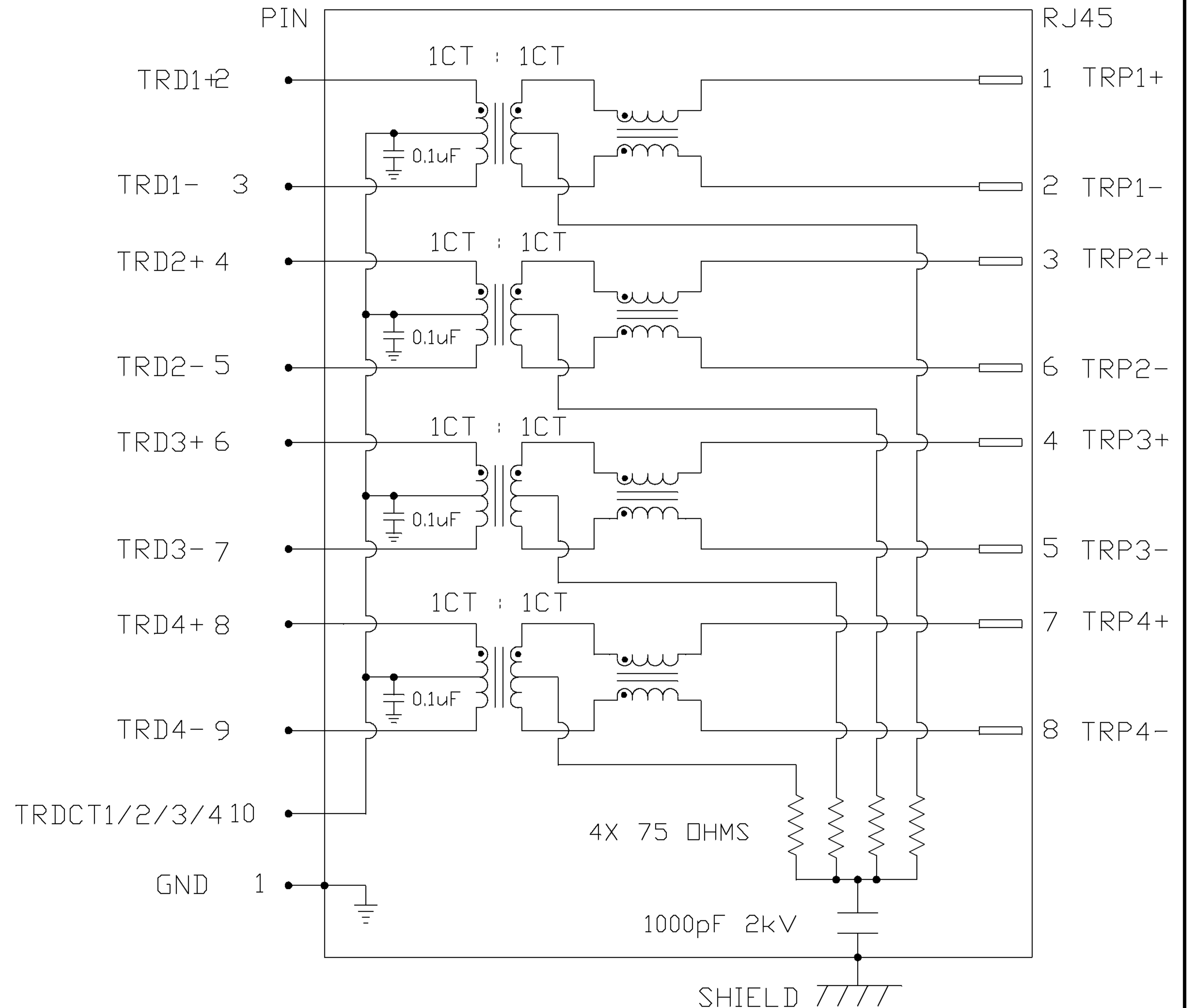
CM TO CM REJ

100kHz - 100MHz	-35 dB MIN
-----------------	------------

HIPOT (Isolation Voltage): 1500 Vrms

100% OF PRODUCTION TESTED TO COMPLY WITH IEEE 802.3 ISOLATION REQUIREMENTS.

SCHEMATIC



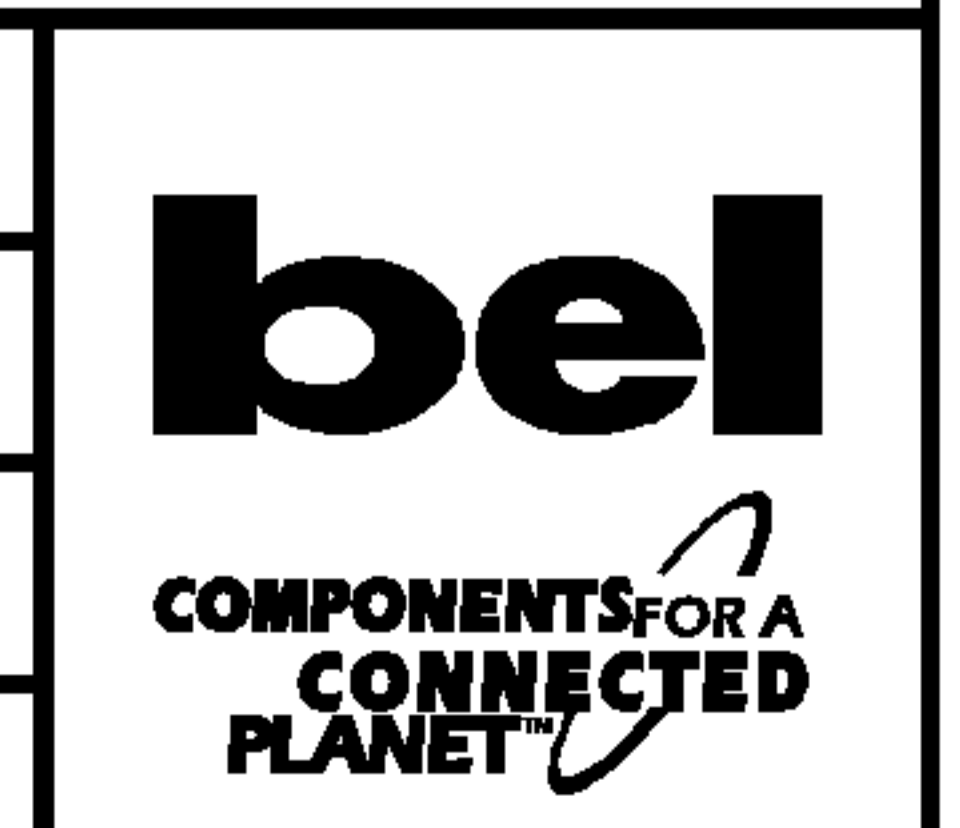
ORIGINATED BY	DATE
CHOW WANCHUNG	03-21-08
DRAWN BY	DATE
LI YONGFENG	03-21-08

TITLE
Gigabit MagJack®

PART NO. / DRAWING NO.
SI-61007-F
FILE NAME
SI-61007-F_A.DWG

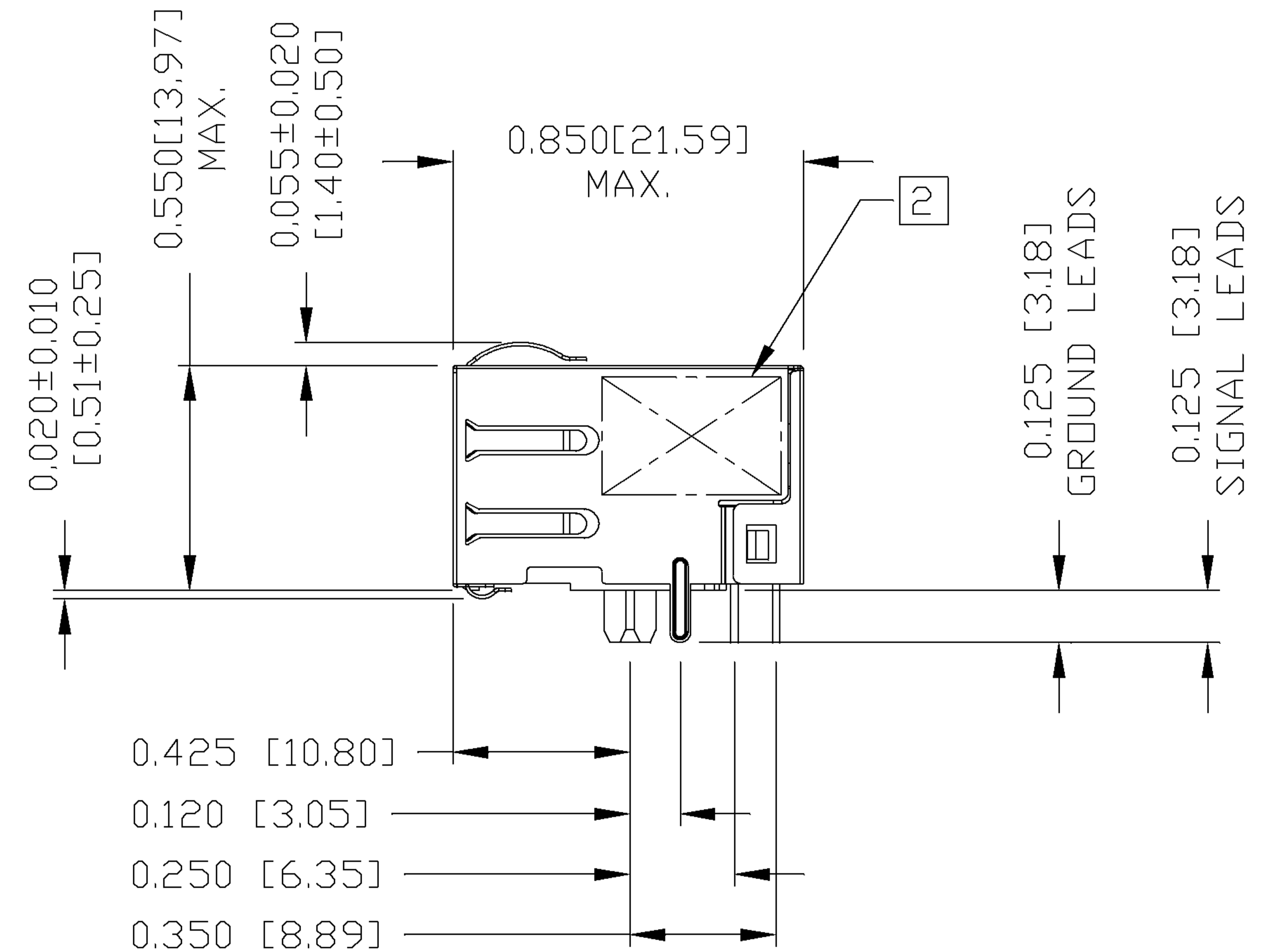
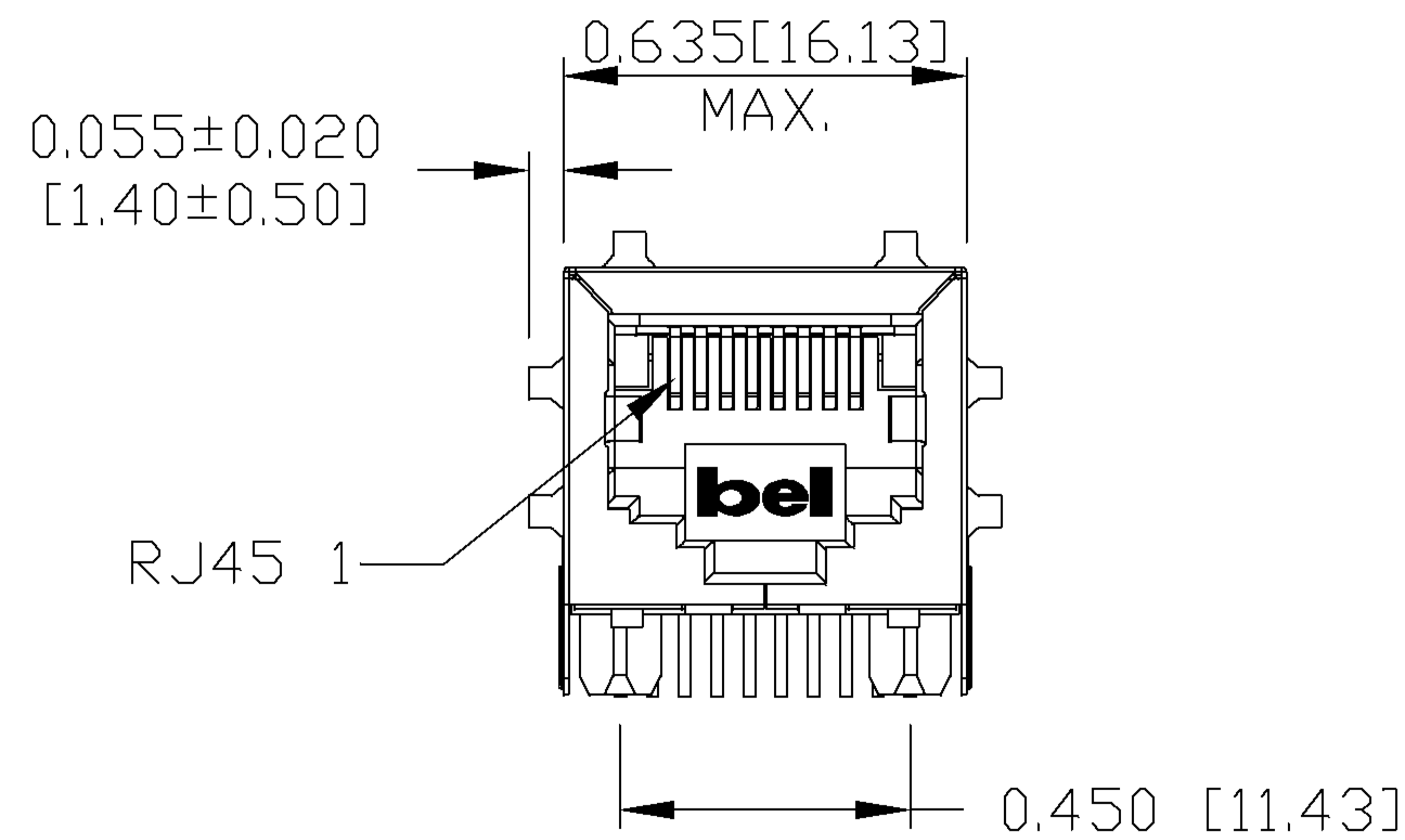
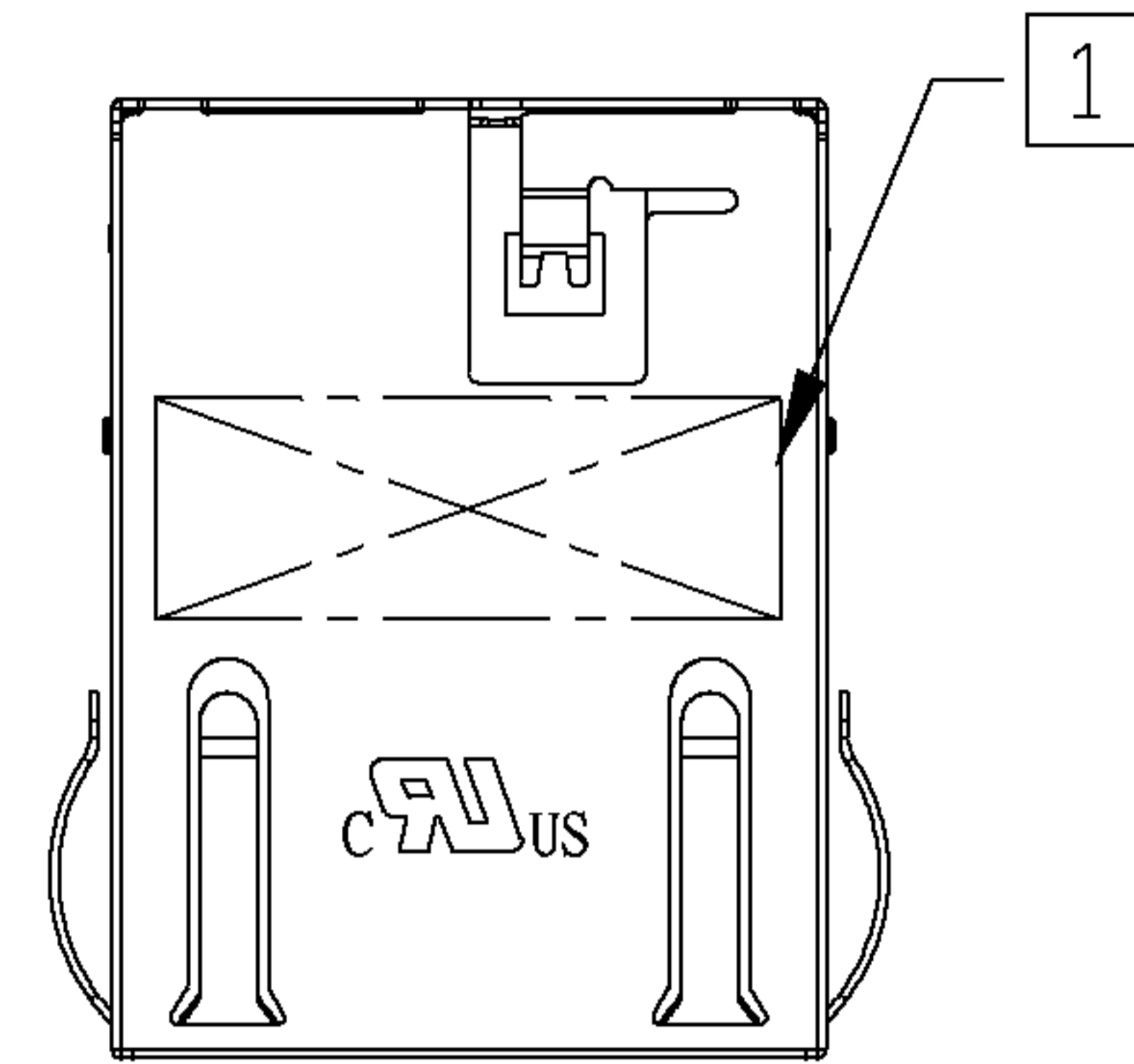
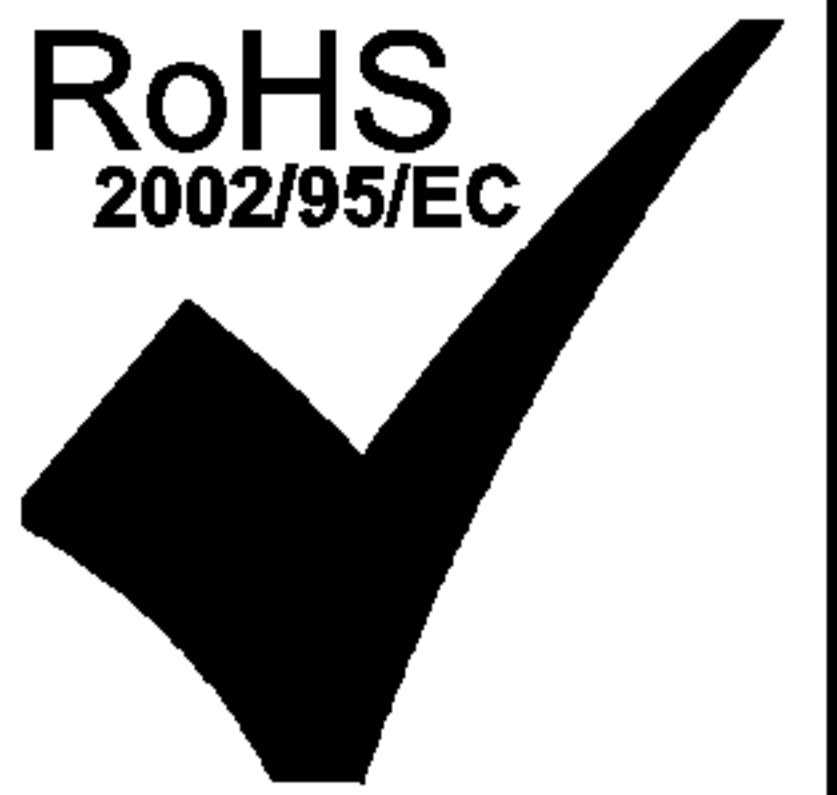
STANDARD DIM.	[ ] METRIC DIM. AS REFERENCE
TOL. IN INCH	UNIT : INCH [mm]
.X	SCALE : N/A
.XX	SIZE : A4
.XXX	PAGE : 2

REV. : A
SIZE : A4
PAGE : 2



THE INFORMATION CONTAINED HEREIN IS CONSIDERED "PROPRIETARY" TO BEL FUSE INC. AND SHALL NOT BE COPIED, REPRODUCED OR DISCLOSED WITHOUT THE WRITTEN APPROVAL OF BEL FUSE INC.

RoHS  
2002/95/EC



NOTES:


- PLASTIC HOUSING: THERMOPLASTIC PBT  
FLAMMABILITY RATING UL 94V-0
- CONTACTS PLATING: 50 MICRO-INCH HARD GOLD PLATING
- PINS: TIN-COATED COPPER WIRE, DIA 0.018 INCH.
- METAL SHIELD: NICKEL PLATED ON COPPER ALLOY.  
(ALL GROUND LEADS ARE SOLDER DIPPED)

1 MARK PART WITH MFG PART NUMBER(SI-61007-F), DATE CODE.

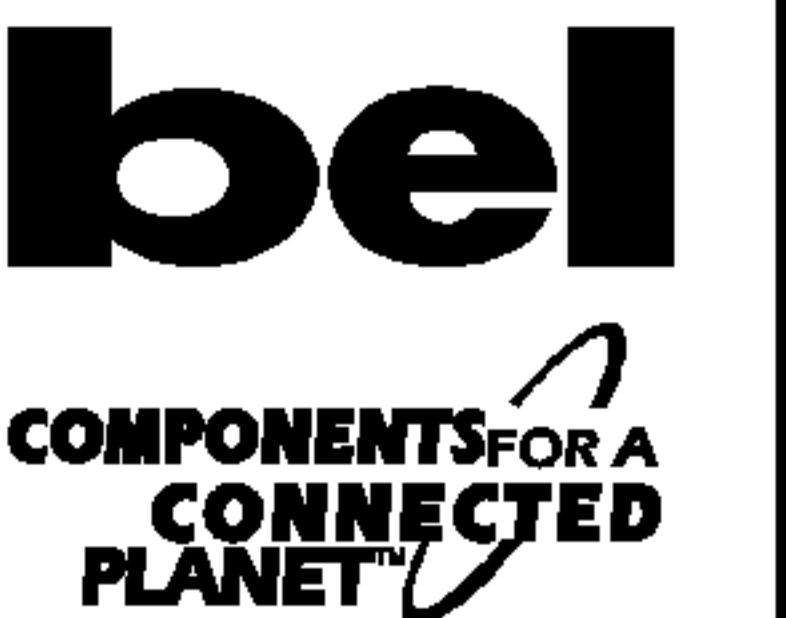
2 MARK PART WITH MFG LOGO, MFG NAME.

3. JACK CAVITY CONFORMS TO FCC RULES AND REGULATIONS

4. RoHS COMPLIANCE, PER EU DIRECTIVE 2002/95/EC.

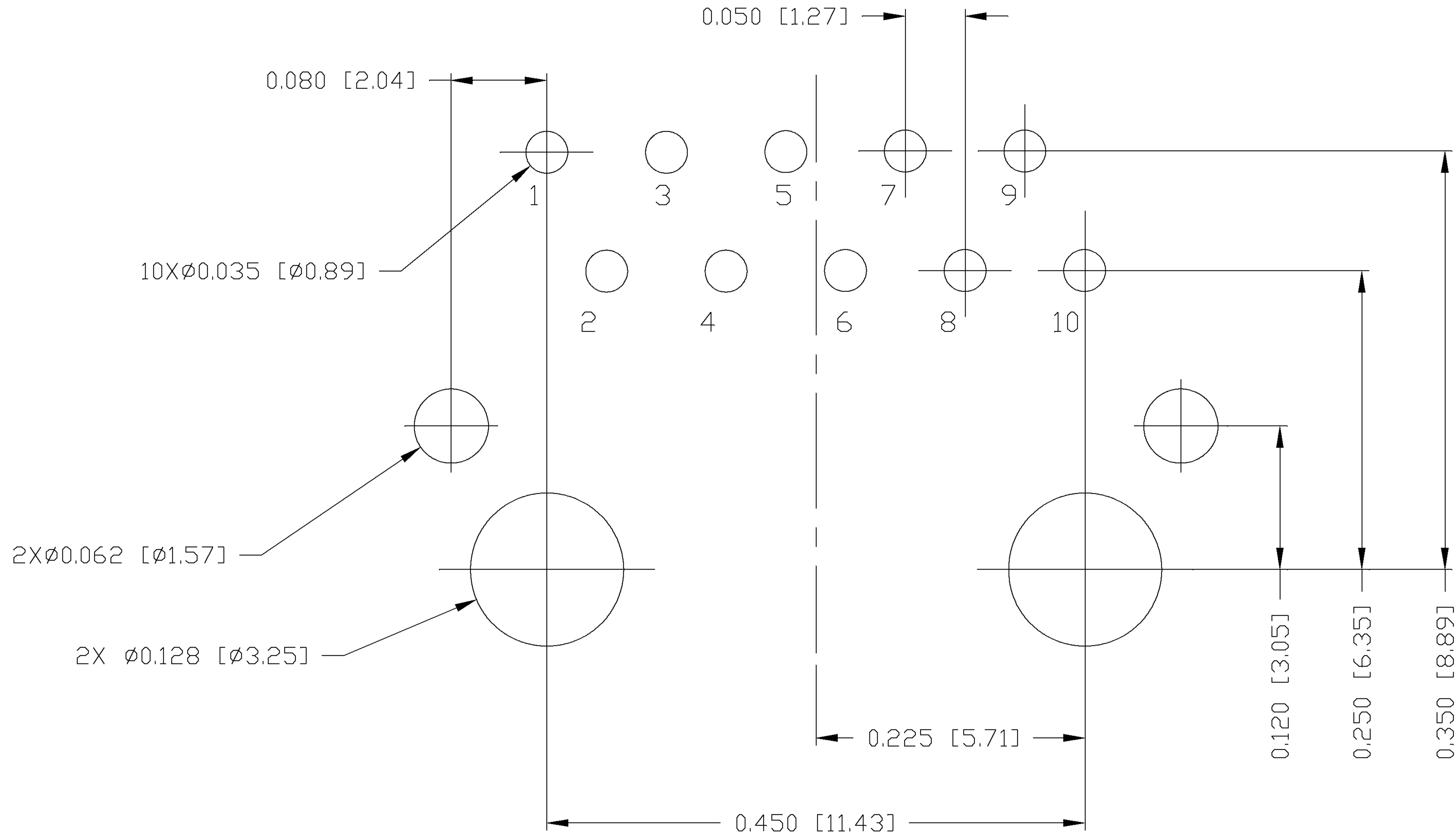
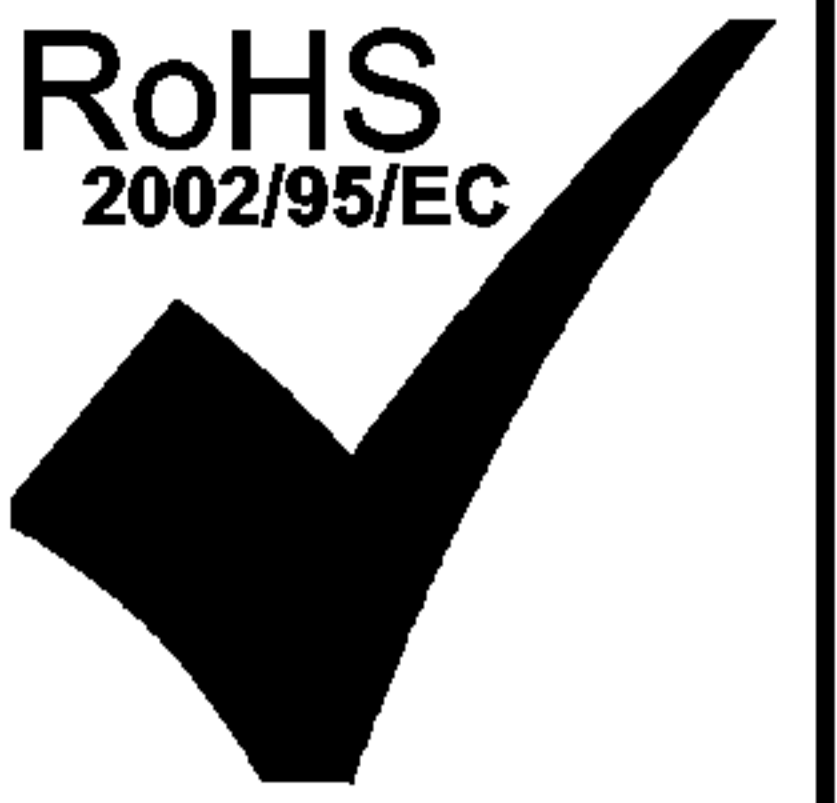
 UL RECOGNIZED - FILE #E132408.

ORIGINATED BY BILL CHEN	DATE 03-21-08	TITLE  Gigabit MagJack®	PART NO. / DRAWING NO. SI-61007-F	STANDARD DIM. TOL. IN INCH	[ ] METRIC DIM. AS REFERENCE	
DRAWN BY SALLY LUD	DATE 03-21-08		FILE NAME SI-61007-F_A.DWG	.X .XX .XXX	±0.010	UNIT : INCH [mm] SCALE : N/A



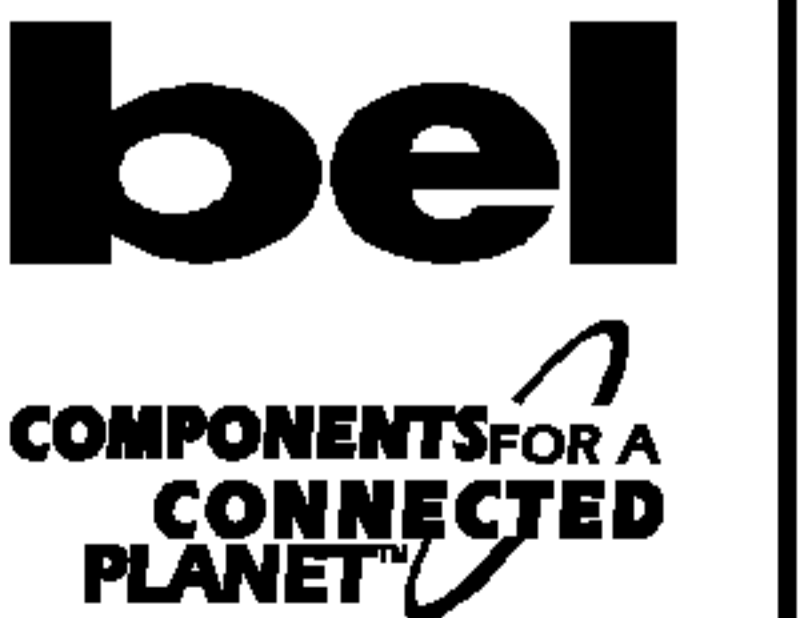
THE INFORMATION CONTAINED HEREIN IS CONSIDERED "PROPRIETARY" TO BEL FUSE INC. AND SHALL NOT BE COPIED, REPRODUCED OR DISCLOSED WITHOUT THE WRITTEN APPROVAL OF BEL FUSE INC.

RoHS  
2002/95/EC



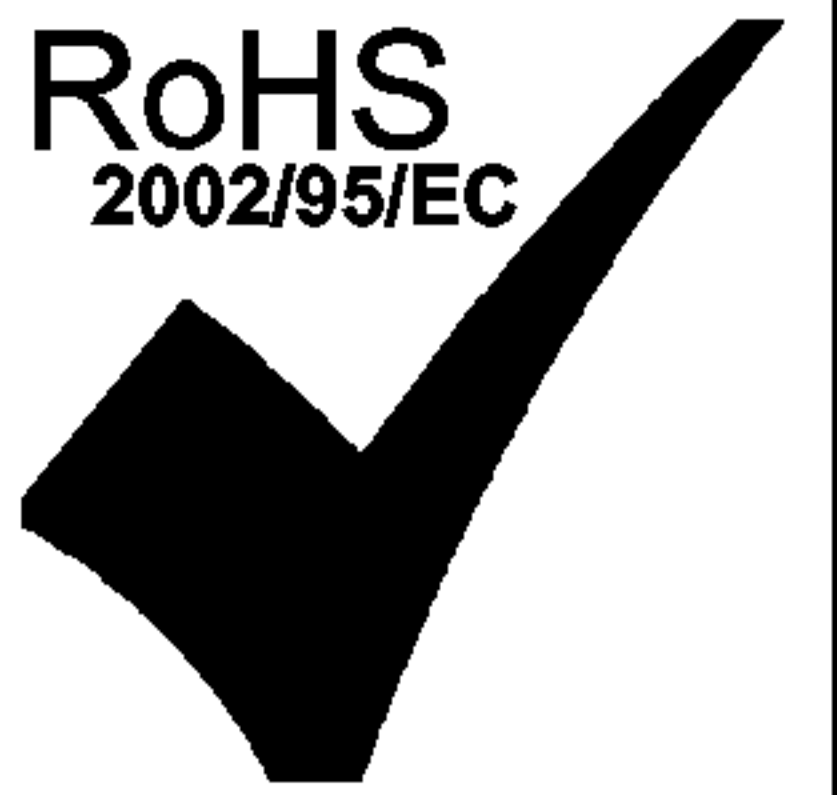
RECOMMENDED PCB FOOTPRINT  
COMPONENT SIDE VIEW

ORIGINATED BY BILL CHEN	DATE 03-21-08	TITLE Gigabit MagJack®	PART NO. / DRAWING NO. SI-61007-F	STANDARD DIM. TOL. IN INCH	[ ] METRIC DIM. AS REFERENCE	
DRAWN BY SALLY LUD	DATE 03-21-08		FILE NAME SI-61007-F_A.DWG	.X .XX .XXX	±0.004	UNIT : INCH [mm]
					SCALE : N/A	SIZE : A4
						PAGE : 4

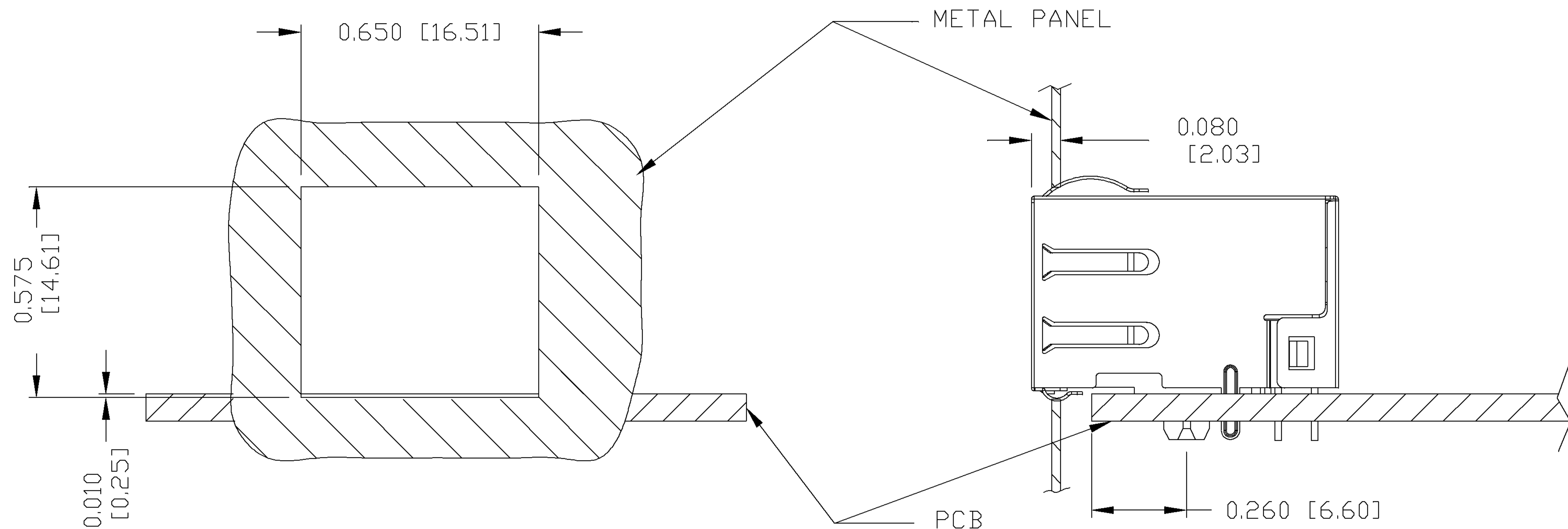


THE INFORMATION CONTAINED HEREIN IS CONSIDERED "PROPRIETARY" TO BEL FUSE INC. AND SHALL NOT BE COPIED, REPRODUCED OR DISCLOSED WITHOUT THE WRITTEN APPROVAL OF BEL FUSE INC.

RoHS  
2002/95/EC



SUGGESTED PANEL OPENING



NOTES:

THE DISTANCE OF PANEL INSIDE SURFACE RELATIVE TO FRONT SURFACE OF PART IS ONLY A SUGGESTION. IN CASE THIS DISTANCE IS DIFFERENT, THE REQUIRED PANEL OPENING DIMENSIONS CHANGE ACCORDINGLY.

PACKING INFORMATION

PACKING TRAY : 0200-9999-Q7 (TOP)  
0200-9999-Q8 (BOTTOM)

PACKING QUANTITY : 80 PCS FINISHED GOODS PER TRAY  
10 TRAYS (800 PCS FINISHED GOODS) PER CARTON BOX

NOTE : CARDBOARDS ARE PLACED BETWEEN LAYERS OF PACKING TRAY INSIDE CARTON BOX  
(INCLUDE THE UPPERMOST AND LOWERMOST TRAY)

ORIGINATED BY BILL CHEN	DATE 03-21-08	TITLE  Gigabit MagJack®	PART NO. / DRAWING NO. SI-61007-F	STANDARD DIM. TOL. IN INCH	[ ] METRIC DIM. AS REFERENCE	
DRAWN BY SALLY LUO	DATE 03-21-08		FILE NAME SI-61007-F_A.DWG	.X .XX .XXX	UNIT : INCH [mm] SCALE : N/A	REV. : A SIZE : A4 PAGE : 5
				±0.004		

