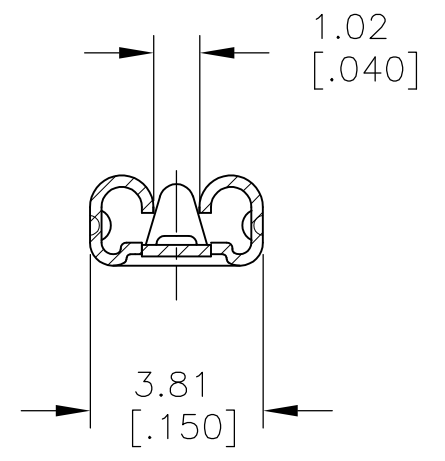
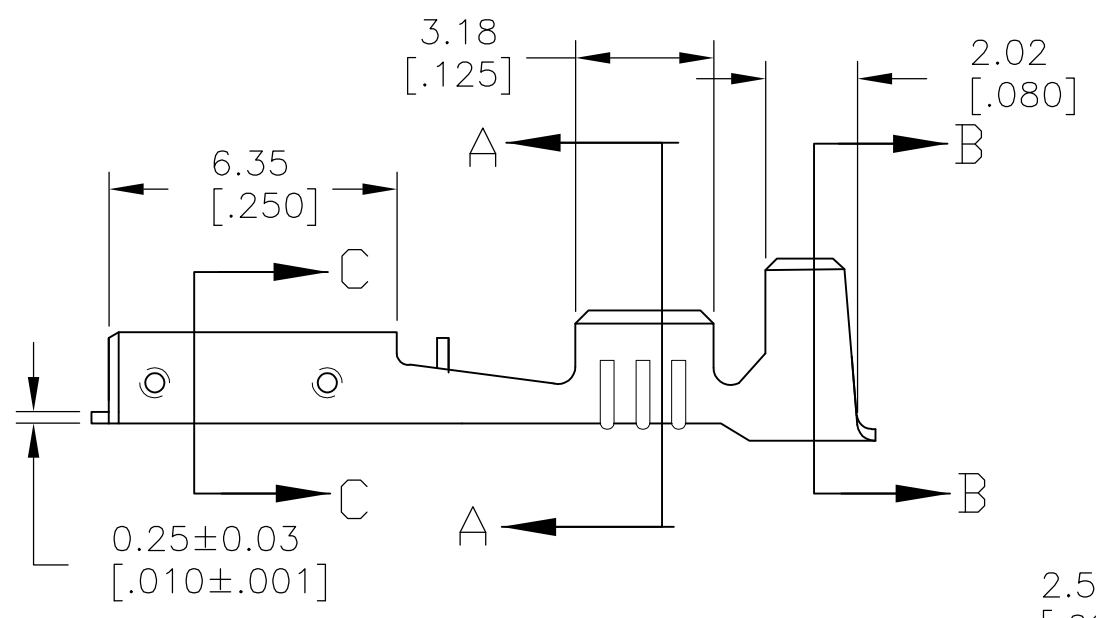
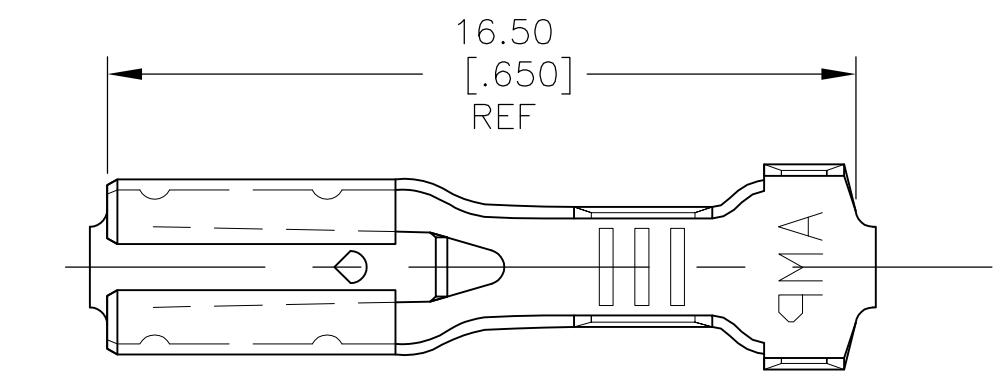
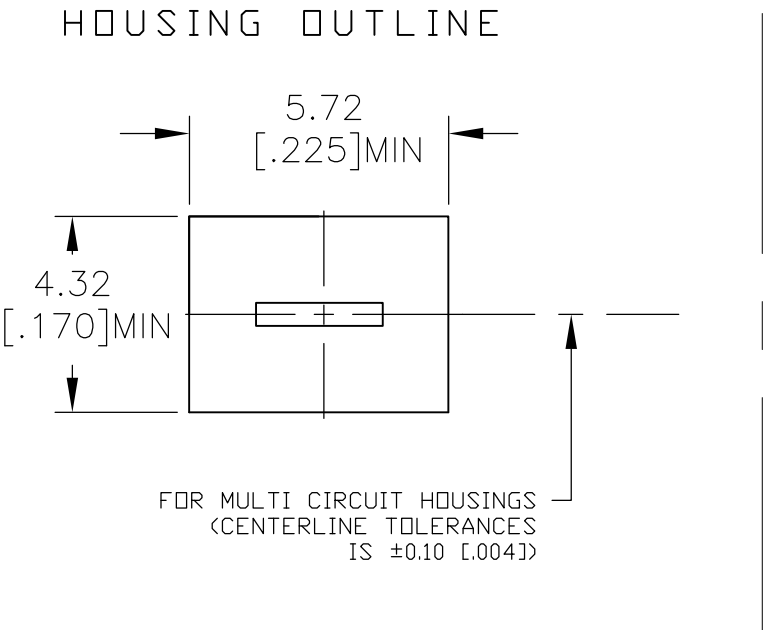
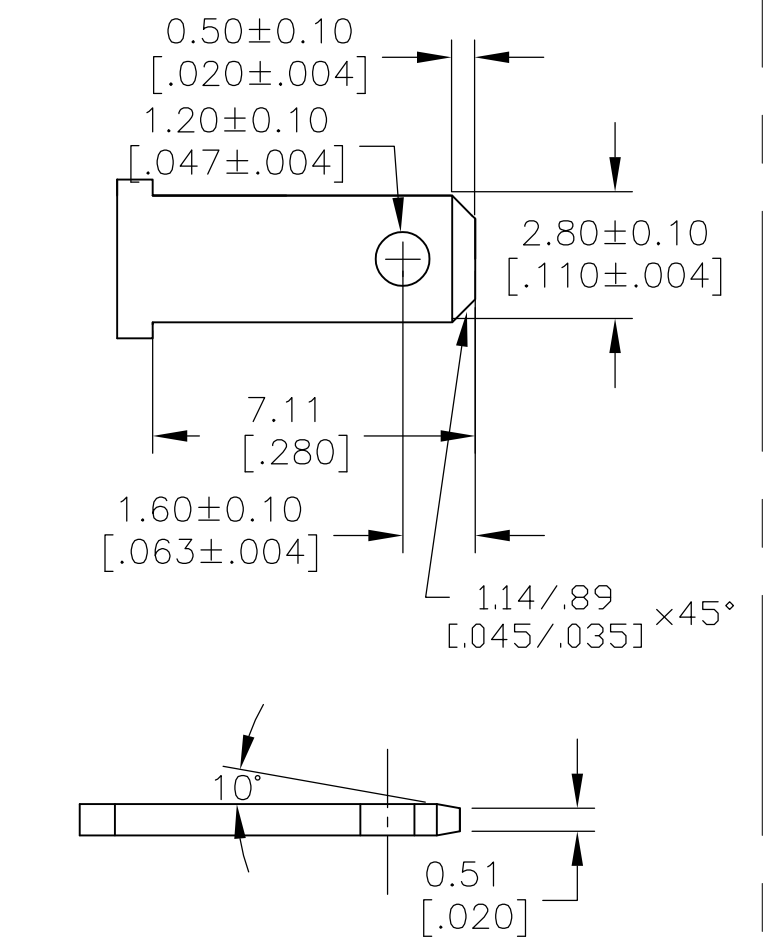


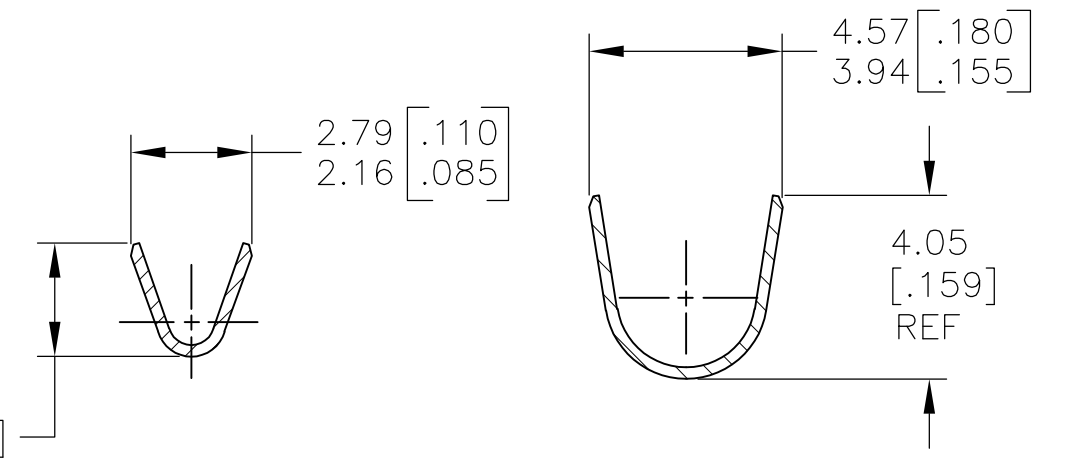
THIS DRAWING IS UNPUBLISHED. RELEASED FOR PUBLICATION
 © COPYRIGHT - By - ALL RIGHTS RESERVED.

LOC	DIST	REVISIONS					
AF	50	P	LTR	DESCRIPTION	DATE	DWN	APVD
			B	REV PER ECR-14-006221	12MAY14	JR	DH

TAB DIMENSIONS
 (SHOULDER RECOMMENDED)



- 1 CONTINUOUS STRIP ON REELS
- 2 WIRE SIZE [#22-#18].
- 3 INSULATION RANGE 2.03-3.05 [.080-.120] DIA
- 4 MATING TAB THK 0.81±0.025 [.032±.001].
- 5 RECOMMEND TO USE WITH TABS WITH SHOULDERS. MAXIMUM LENGTH FOR TABS WITHOUT SHOULDERS TO BE 8.38 [.330].



1742975-1
 PART NUMBER

THIS DRAWING IS A CONTROLLED DOCUMENT.		DWN jr_ruth 17MAY12	TE Connectivity			
DIMENSIONS: MM [INCHES]		CHK PETE_DESANTIS 17MAY12				
TOLERANCES UNLESS OTHERWISE SPECIFIED:		APVD PETE_DESANTIS 17MAY12	NAME RECEPTACLE, POSI-LOCK, 2.79 [.110] SERIES			
0 PLC ± -		PRODUCT SPEC -	SIZE	CAGE CODE	DRAWING NO	RESTRICTED TO
1 PLC ± -		APPLICATION SPEC -	A300779		C=1742975	-
2 PLC ± 0.25 [.010]		WEIGHT -	CUSTOMER DRAWING		SCALE 6:1	SHEET 1 OF 1
3 PLC ± -					REV B	
4 PLC ± -						
ANGLES ± -						
MATERIAL BRASS		FINISH TIN PLATE				