

Microstick for dsPIC33F and PIC24H Devices

Overview

The Microstick for dsPIC33F and PIC24H devices is designed to provide an easy to use, economical development environment for 16-bit digital signal controllers and microcontrollers. The board includes an integrated debugger/programmer, a socket for the device under test and pins that facilitate insertion into a prototyping board for extremely flexible development.

Please check <http://www.microchip.com/microstick> for the list of supported devices.

Getting Started

Everything you need to get started can be found at <http://www.microchip.com/microstick>.

Installing MPLAB® IDE and C Compilers

MPLAB Integrated Development Environment (IDE) should be installed prior to using Microstick for dsPIC33F and PIC24H Devices. This board is designed to run with MPLAB IDE version 8.50 or later. While MPLAB IDE provides assembler tools for development, most of the code examples provided for Microchip devices are written in C language and require a C compiler to be installed. Microchip's MPLAB C Compiler seamlessly integrates into MPLAB IDE. Both the MPLAB IDE and C Compiler are free⁽¹⁾ and available for download at: <http://www.microchip.com/MPLAB>.

Note 1: Standard Evaluation (Free) – All optimization levels are enabled for 60 days, but then reverts to optimization level 1 only.

Code Examples and More Information

For code examples and more information, please visit the *Microstick for dsPIC33F and PIC24H Devices* product page at: <http://www.microchip.com/microstick>

Running and Debugging Applications

After downloading the code example and installing the development tools, please use the following procedure to build, run and debug your software:

1. Load the code example into MPLAB IDE by double clicking the *.m_{cw} project file.
2. Inform MPLAB IDE what device is plugged in to the Microstick Board by selecting the appropriate device from the Configure>Select Device>Device menu.
3. Build the project by selecting Project>Build All.
4. Connect the Microstick Board to the development computer via a USB cable.
5. Enable the MPLAB IDE debugger by selecting Debugger>Select Tool>Starter Kits.
6. Download your code into a device on the Microstick Board by selecting Debugger>Program.
7. Run the application previously downloaded by selecting Debugger>Run.
8. For more information on building, running and debugging your application,

| Americas | Asia/Pacific | Europe |
|----------------------------|------------------------------------------|--------------------------------------|
| Atlanta - 678-957-9614 | Australia - Sydney - 61-2-9868-6733 | Austria - Weis - 43-7242-2244-39 |
| Boston - 774-760-0087 | China - Beijing - 86-10-8528-2100 | Denmark - Copenhagen - 45-4450-2828 |
| Chicago - 630-285-0071 | China - Chengdu - 86-28-8665-5511 | France - Paris - 33-1-69-53-63-20 |
| Cleveland - 216-447-0464 | China - Chongqing - 86-23-8980-9588 | Germany - Munich - 49-89-627-144-0 |
| Dallas - 972-818-7423 | China - Hong Kong SAR - 852-2401-1200 | Italy - Milan - 39-0331-742611 |
| Detroit - 248-538-2250 | China - Nanjing- 86-25-8473-2460 | Netherlands - Drunen - 31-416-690399 |
| Kokomo - 765-864-8360 | China - Qingdao - 86-532-8502-7355 | Spain - Madrid - 34-91-708-08-90 |
| Los Angeles - 949-462-9523 | China - Shanghai - 86-21-5407-5533 | UK - Wokingham - 44-118-921-5869 |
| Phoenix - 480-792-7200 | China - Shenyang - 86-24-2334-2829 | |
| Santa Clara - 408-961-6444 | China - Shenzhen - 86-755-8203-2660 | |
| Toronto - 905-673-0699 | China - Wuhan - 86-27-5980-5300 | |
| | China - Xiamen - 86-592-2388138 | |
| | China - Xian - 86-29-8833-7252 | |
| | China - Zhuhai - 86-756-3210040 | |
| | India - Bangalore - 91-80-3090-4444 | |
| | India - New Delhi - 91-11-4160-8631 | |
| | India - Pune - 91-20-2566-1512 | |
| | Japan - Yokohama - 81-45-471-6166 | |
| | Korea - Daegu - 82-53-744-4301 | |
| | Korea - Seoul - 82-2-554-7200 | |
| | Malaysia - Kuala Lumpur - 60-3-6201-9857 | |
| | Malaysia - Penang - 60-4-227-8870 | |
| | Philippines - Manila - 63-2-634-9065 | |
| | Singapore - 65-6334-8870 | |
| | Taiwan - Hsin Chu - 886-3-6578-300 | |
| | Taiwan - Kaohsiung - 886-7-536-4818 | |
| | Taiwan - Taipei - 886-2-2500-6610 | |
| | Thailand - Bangkok - 66-2-694-1351 | |

01/05/10



MICROCHIP

Microchip Technology Inc. • 2355 West Chandler Blvd. • Chandler, AZ 85224-6199

www.microchip.com

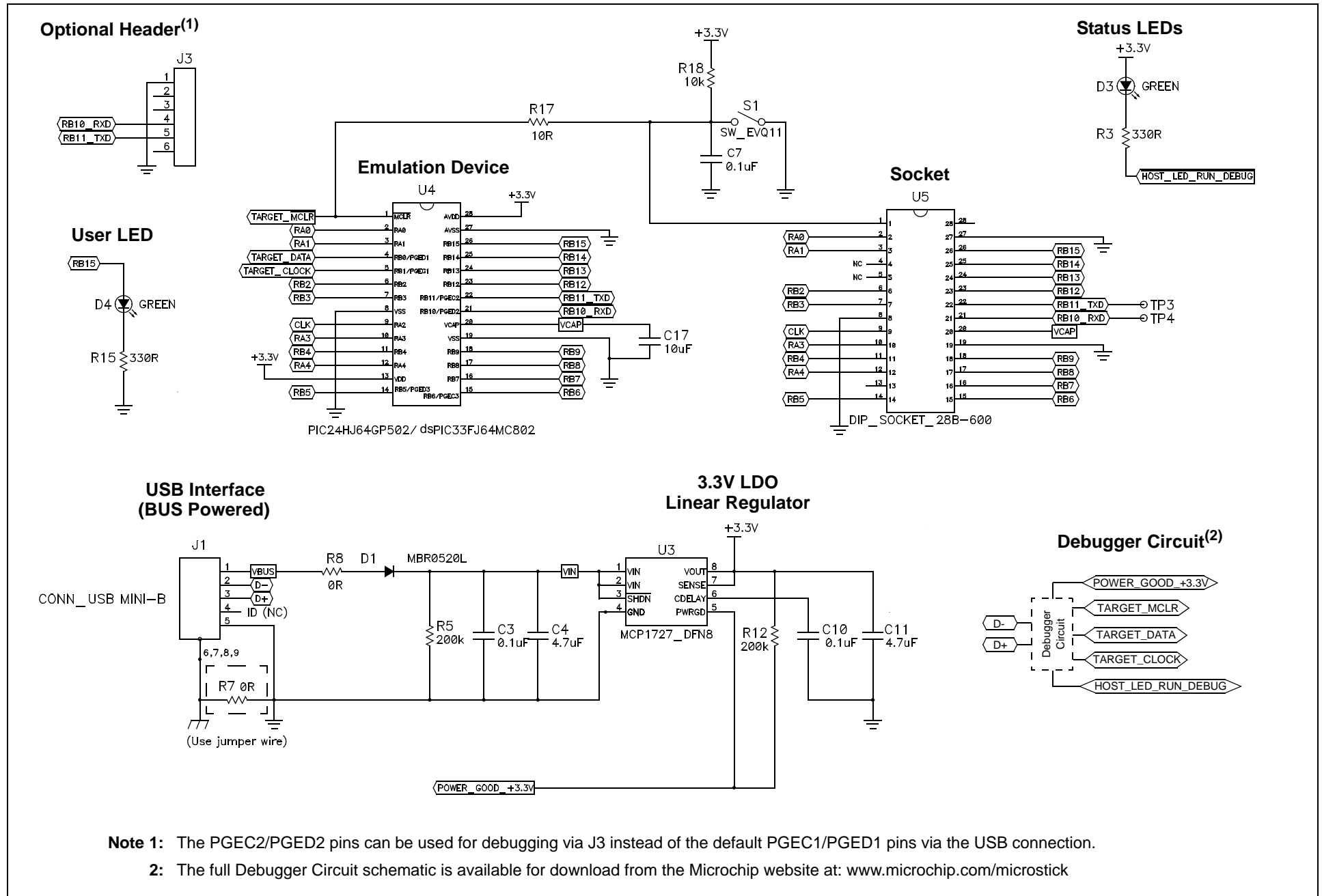
The Microchip name and logo, the Microchip logo, and MPLAB are registered trademarks of Microchip Technology Incorporated in the U.S.A. and other countries. All other trademarks mentioned herein are property of their respective companies.

© 2010, Microchip Technology Incorporated, Printed in the U.S.A. All Rights Reserved. 04/10

DS51897B

Microstick for dsPIC33F and PIC24H Devices

Board Schematic



Note 1: The PGEC2/PGED2 pins can be used for debugging via J3 instead of the default PGEC1/PGED1 pins via the USB connection.

Note 2: The full Debugger Circuit schematic is available for download from the Microchip website at: www.microchip.com/microstick