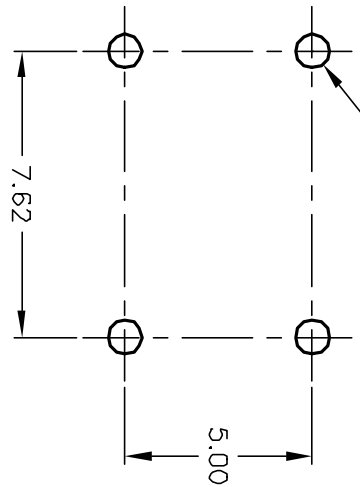
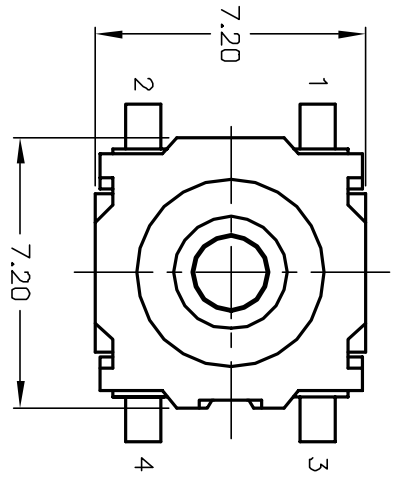


Ø0.90 (4 PL)

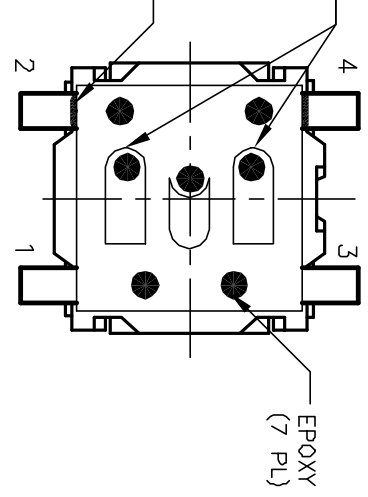


RECOMMENDED P.C.B. LAYOUT

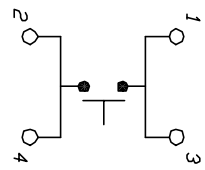


① RADIUS FEATURE TO I.D. TERMINAL 2 & 4 LOCATION

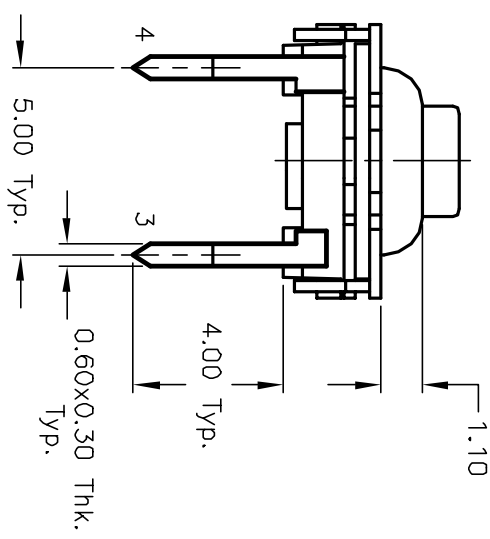
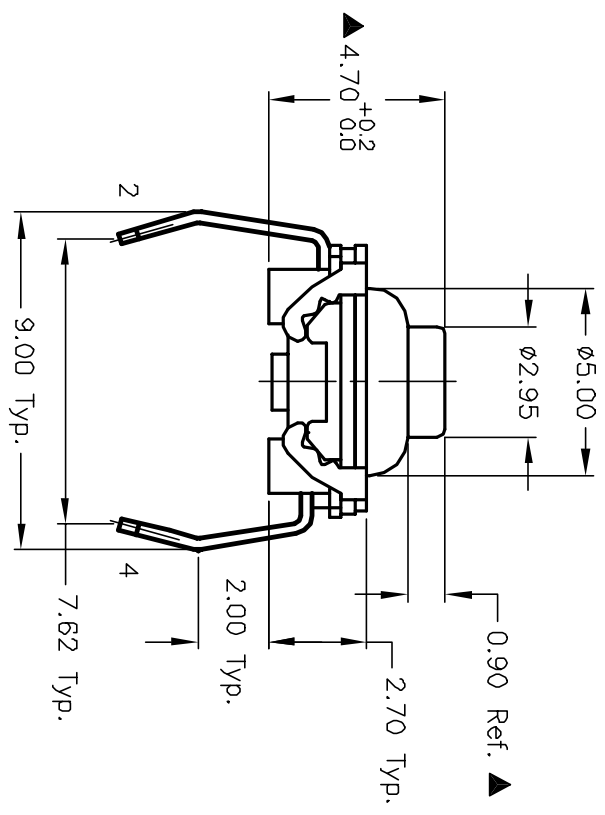
② EPOXY SEAL AROUND TERM # 2 & 4



BOTTOM VIEW



CIRCUIT: SPST
CONTACT CONFIGURATION



NOTES:

1. ALL DIMENSIONS IN MM
2. GENERAL TOLERANCE: 0.0±0.4
0.00±0.25
3. TERM. NOS. FOR REF. ONLY
4. ACTUATION FORCE: 130±40gf
5. TRAVEL TO MAKE: 0.3mm +0.4/-0.0
6. RATING: 30mA, @12V DC
7. CONTACT RESISTANCE: 50 milli-ohms typical
8. DIELECTRIC STRENGTH: 300V RMS min at sea level.
9. ELECTRICAL LIFE CYCLE: 1,000,000 make & break cycles at full load.
10. DESIGNATE MAJOR DIMENSIONS.

C	11957	ADD EPOXY	1/30/02	CB
B	10088	REVISED & REDRAWN	1/27/99	
REV.	ECN No.	DESCRIPTION	DATE	CHK'D

TITLE		SCALE		DATE		DR		DWG		REV	
GS 4.70 F130 QP - Washable Tact Switch		5:1		10/2/98		MM		L400000		C	
E-SWITCH®											
THE INFORMATION CONTAINED IN THIS DOCUMENT IS PROPRIETARY TO E-SWITCH AND IS NOT TO BE COPIED OR TRANSMITTED											