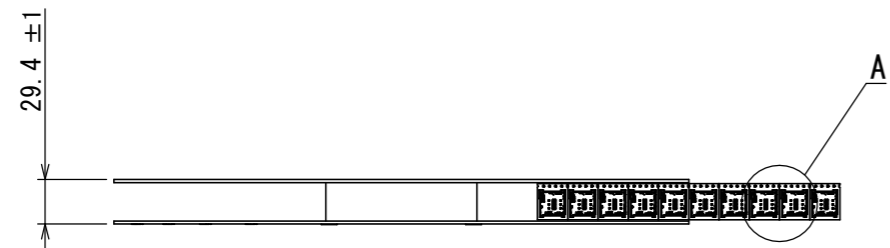
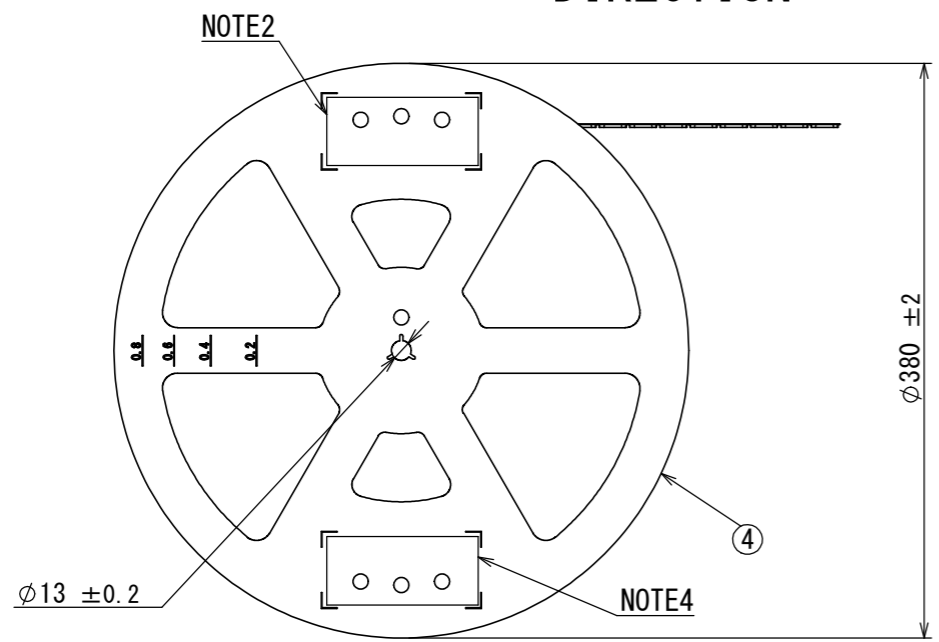


SJ114919
 (ON DRAWING NO.)

版数 VER.	年月日 DATE	CN NO.	変更内容 DESCRIPTION	製図 DR.	担当 CHK.	査閲 APPD.	承認 APPD.
------------	-------------	--------	---------------------	-----------	------------	-------------	-------------



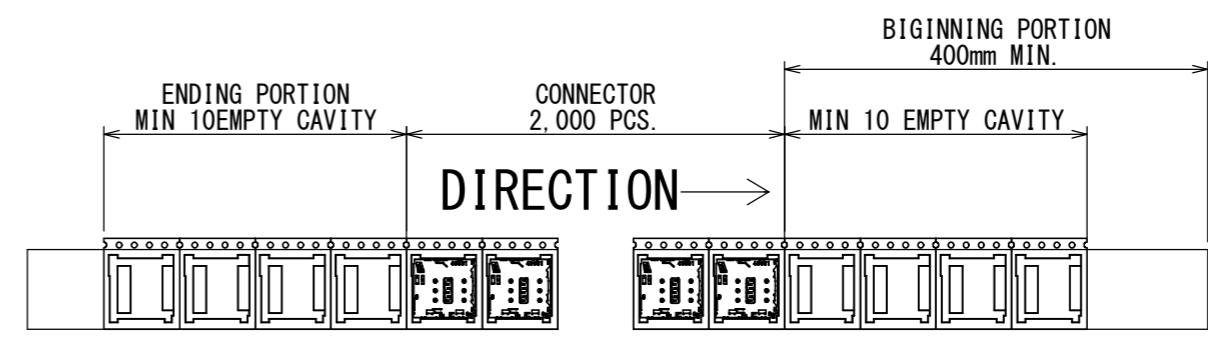
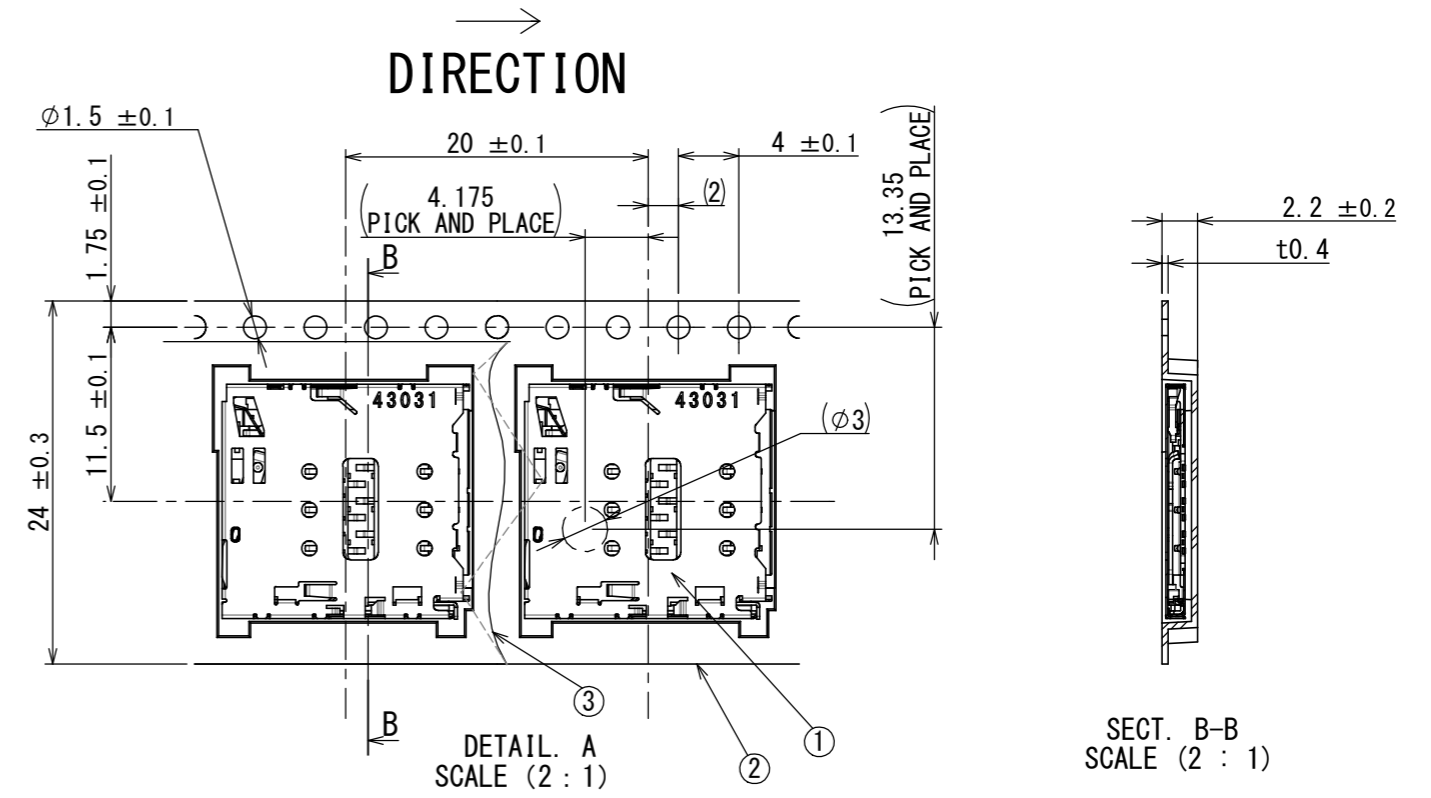
DIRECTION →



- NOTE1. SUFFIX "SF58S006VBBR2000" OF THE PART NUMBER INDICATES THAT 2000 PCS. OF SF58S006VBB CONNECTORS ARE ACCOMODATED IN ONE REEL.
2. THE LABEL IS TO BE ATTACHED ON THE MAGAZINE AS SHOWN. AND DESCRIPTION, QTY, LOT NO, EMOSS CODE ARE SHOWN.
3. REFER TO THE DRAWING. SJ114918 (SF58S006VBB) FOR THE DIMENSION OF THE CONNECTOR.
4. IF THERE IS ANOTHER ASSIGNED LABEL, THE LABEL TO BE ATTACHED. (REFER TO JACS)

NOTE2
 DESCRIPTION: SF58S006VBBR2000
 QTY : 2000
 LOT NO : YMMDD-*(*: REEL No.)
 EMOSS CODE: TB2420

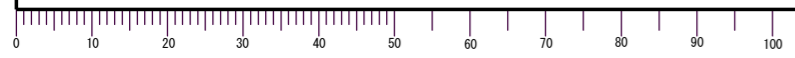
20: PITCH
 24: TAPE WIDTH



符号 NO.	名称 DESCRIPTION	個数 QTY.	材料 MATERIAL	仕上 FINISH	図番 DWG NO.
4	REEL	1	PLASTIC	-	-
3	COVER TAPE	1	PET	-	-
2	CARRIER TAPE	1	PS	-	-
1	CONNECTOR	2000	-	-	SJ114918 (SF58S006VBB)

仕様書 (SPECIFICATION) JACS-10982*		第1版 (ORIGINAL DATE) 03/MAR/2014		尺度 (SCALE) 1:5		シリーズ (SERIES) SF58		日本航空電子工業株式会社	
一般公差 (GENERAL TOLERANCE)		製図 DR.		名称 (TITLE) SF58S006VBBR2000		JAE		JAPAN AVIATION ELECTRONICS INDUSTRY, LTD.	
寸法 (DIMENSION)		担当 CHK.		質量 (MASS)		図面番号 (DRAWING NO.) SJ114919		版数 (VER.) 1	
角度 (ANGLES)		査閲 APPD.		M. SHIMADA					
単位 (UNIT) : mm		承認 APPD.		A. NATORI					

DCF-G-212H(12.08)



WISDOM承認 2014/03/06