

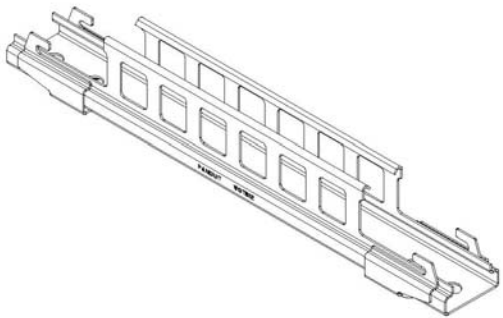
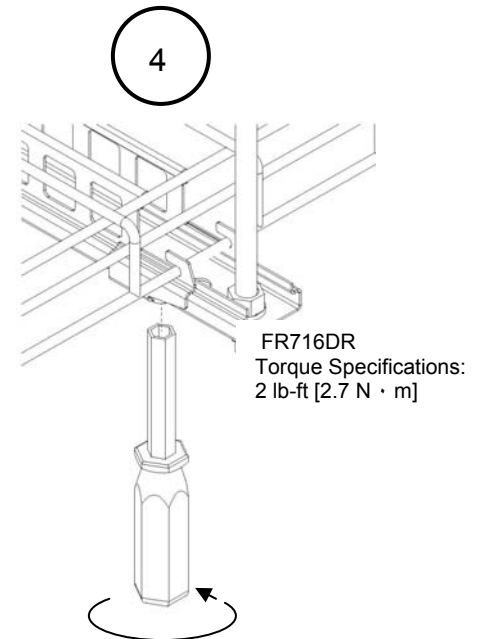
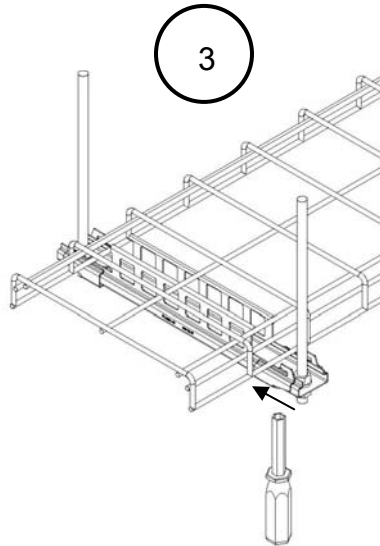
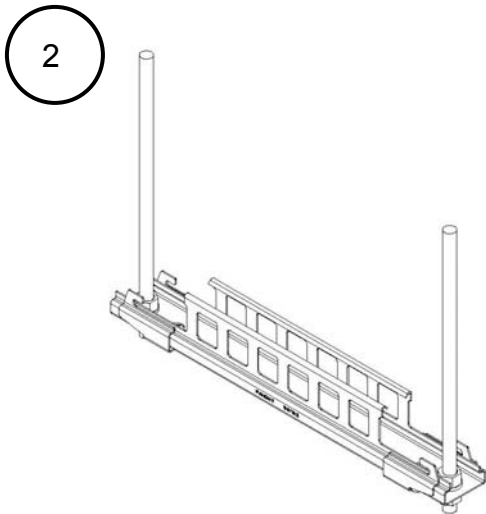
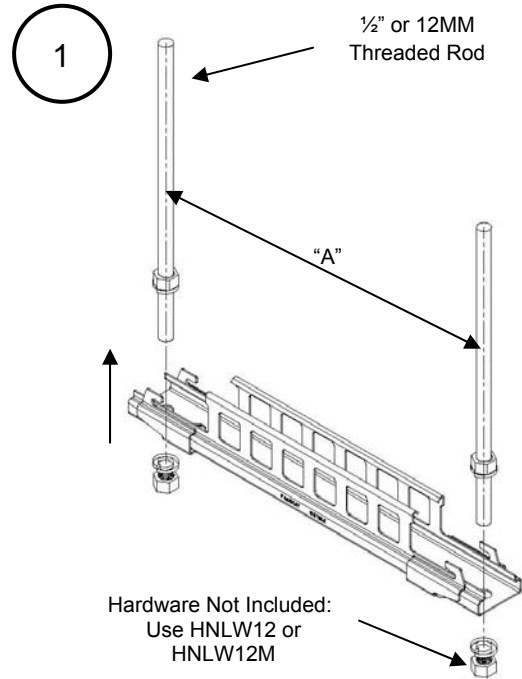
## Wyr-Grid TRAPEZE BRACKET

Panduit Part Number: WGTB12\*\*, WGTB18\*\*, WGTB24\*\*, WGTB30\*\*.

### INSTALLATION INSTRUCTIONS

© 2010 PANDUIT Corp.

PANDUIT CATALOG NUMBER	DIM "A"	Wyr-Grid PATHWAY
WGTB12 **	15"	WG12**10
WGTB18 **	21"	WG18**10
WGTB24 **	27"	WG24**10
WGTB30 **	33"	WG30**10

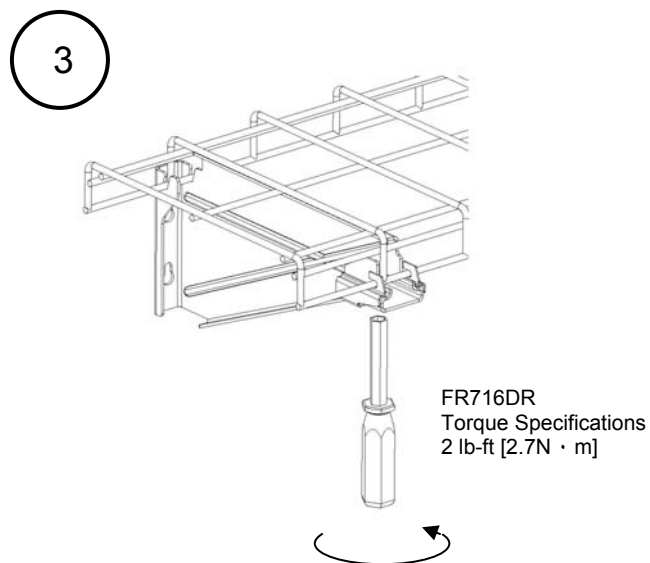
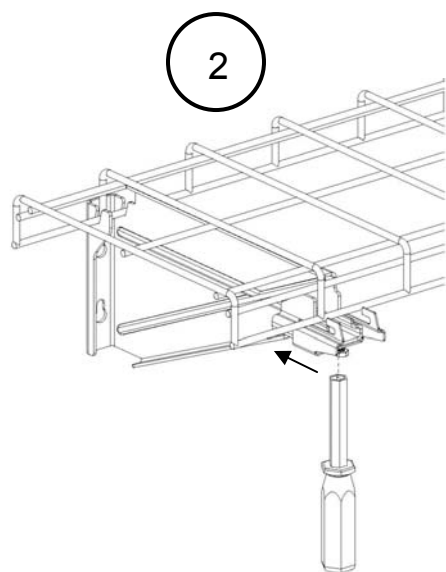
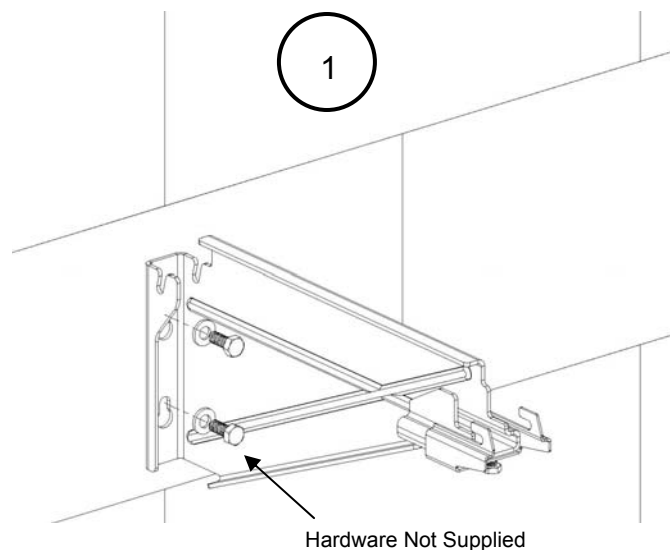
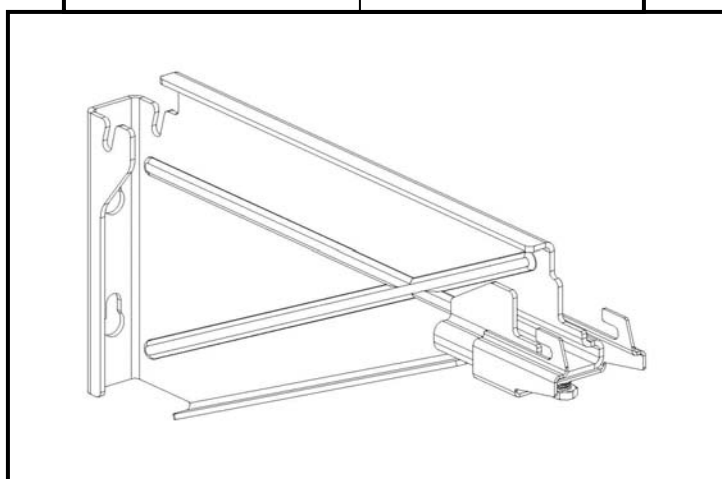
For Technical Assistance, Call: 800-777-3300

# Wyr Grid CANTILEVER BRACKET

PANDUIT PART NUMBER: WGCB12\*\*, WGCB18\*\*, WGCB24\*\*.

## INSTALLATION INSTRUCTIONS

PANDUIT CATALOG NUMBER	Wyr-Grid PATHWAY
WGCB12**	WG12**10
WGCB18**	WG18**10
WGCB24**	WG24**10



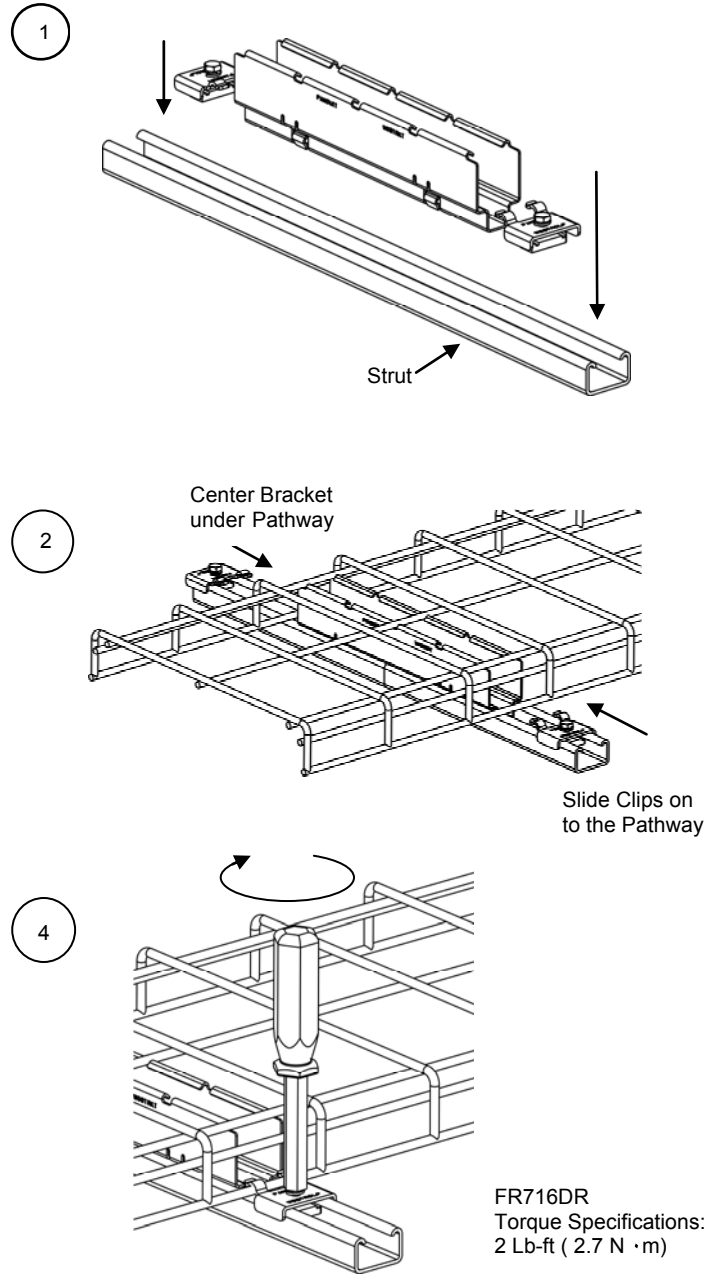
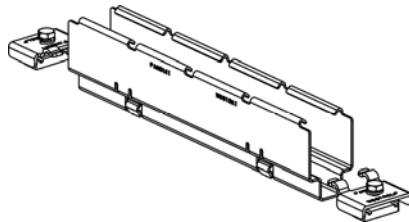
For Technical Assistance, Call: 800-777-3300

# Wyr-Grid Strut Bracket Kit

Panduit Part Number: WGSTRKT\*\*

## INSTALLATION INSTRUCTIONS

PANDUIT CATALOG NUMBER	Wyr-Grid PATHWAY
WGSTRKT**	WG12**10 WG18**10 WG24**10 WG30**10



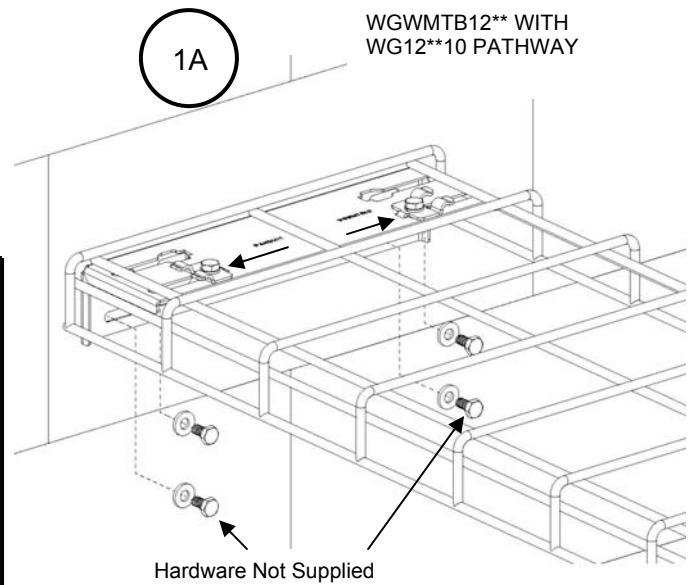
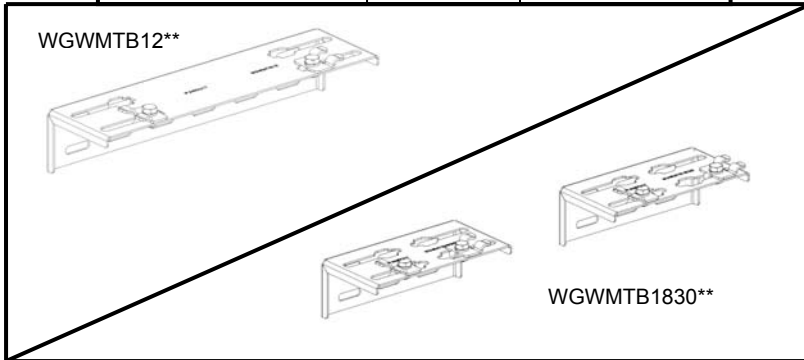
For Technical Assistance, Call: 800-777-3300

# Wyr-Grid WALL MOUNT

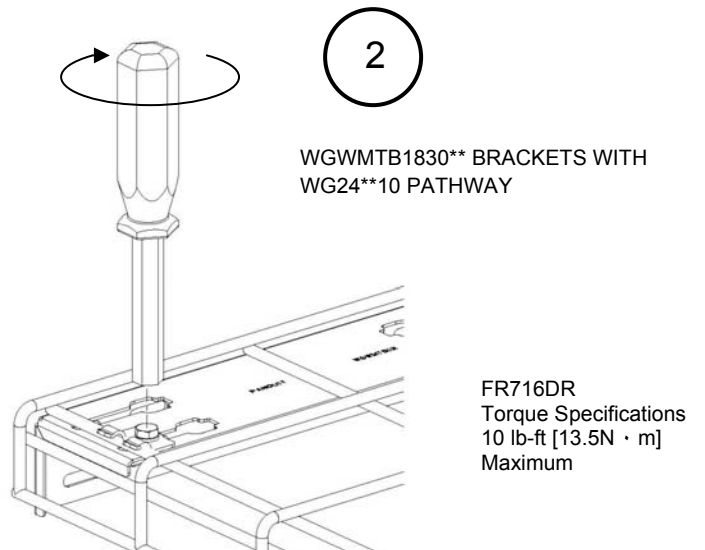
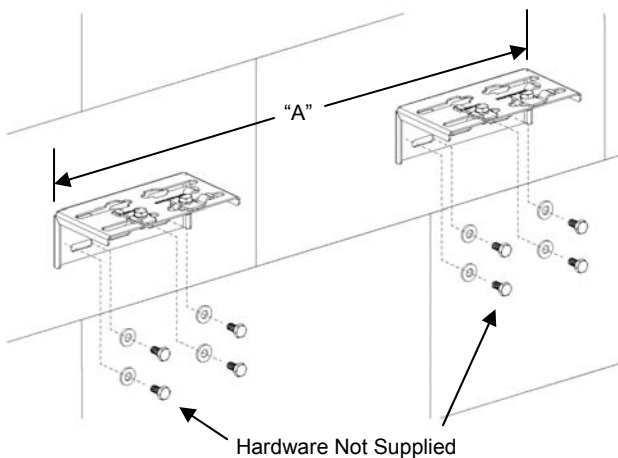
Panduit Part Number : WGWMTB12\*\*, WGWMTB1830\*\*

## INSTALLATION INSTRUCTIONS

PANDUIT CATALOG NUMBER	DIM "A"	Wyr-Grid PATHWAY
WGWMTB12**	N/A	WG12**10
WGWMTB1830**	16.5"	WG18**10
	21.75"	WG24**10
	27"	WG30**10



1B



WORLDWIDE SUBSIDIARIES AND SALES OFFICES

Instruction Sheet RW272

18900 Panduit Drive  
Tinley Park, IL 60487  
Web Site: [www.panduit.com](http://www.panduit.com)

**PANDUIT**<sup>®</sup>  
RACK SYSTEMS DIVISION

Fax: 708-532-1811  
Technical Support: 800-777-3300  
E-mail: [cs@panduit.com](mailto:cs@panduit.com)