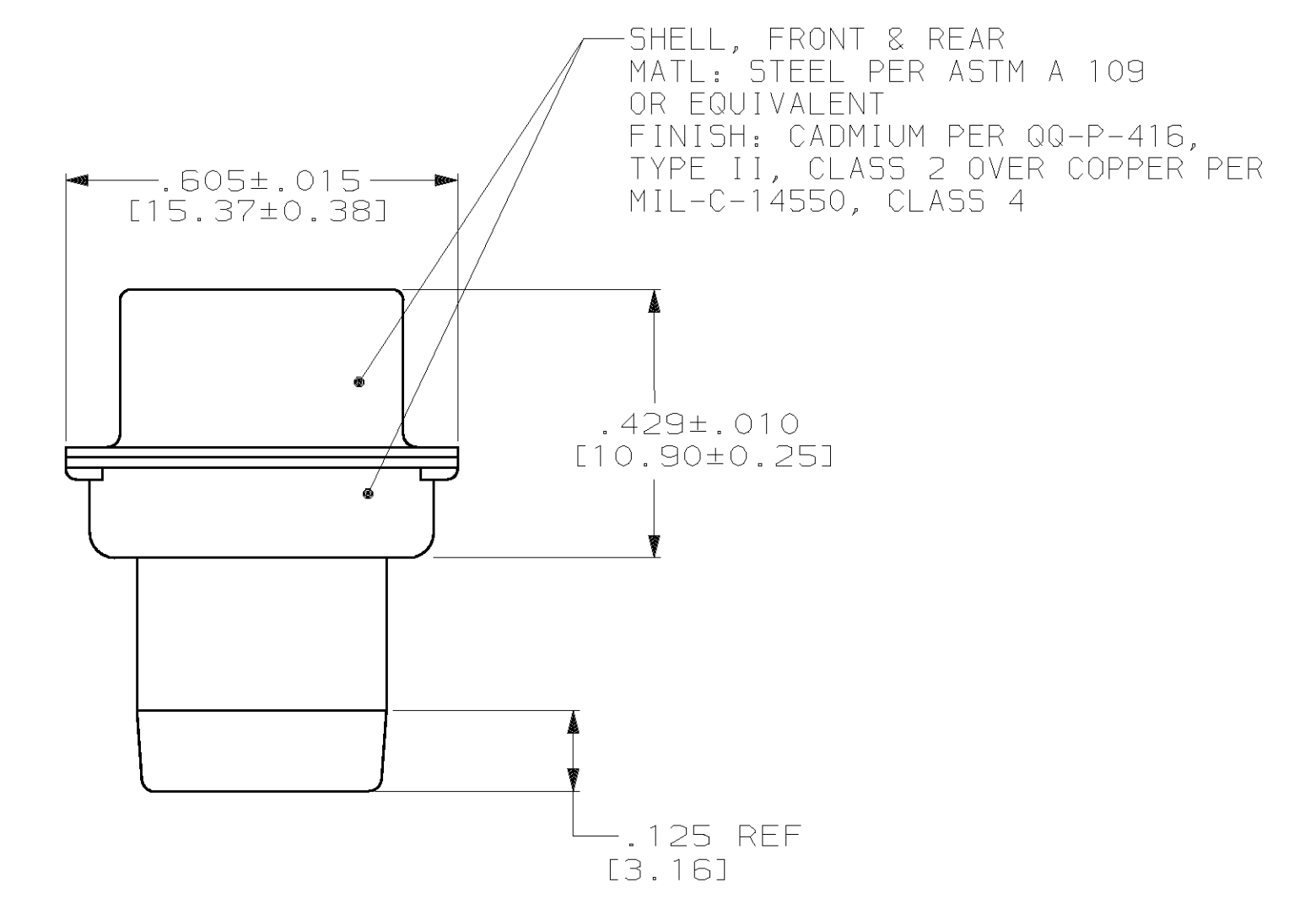
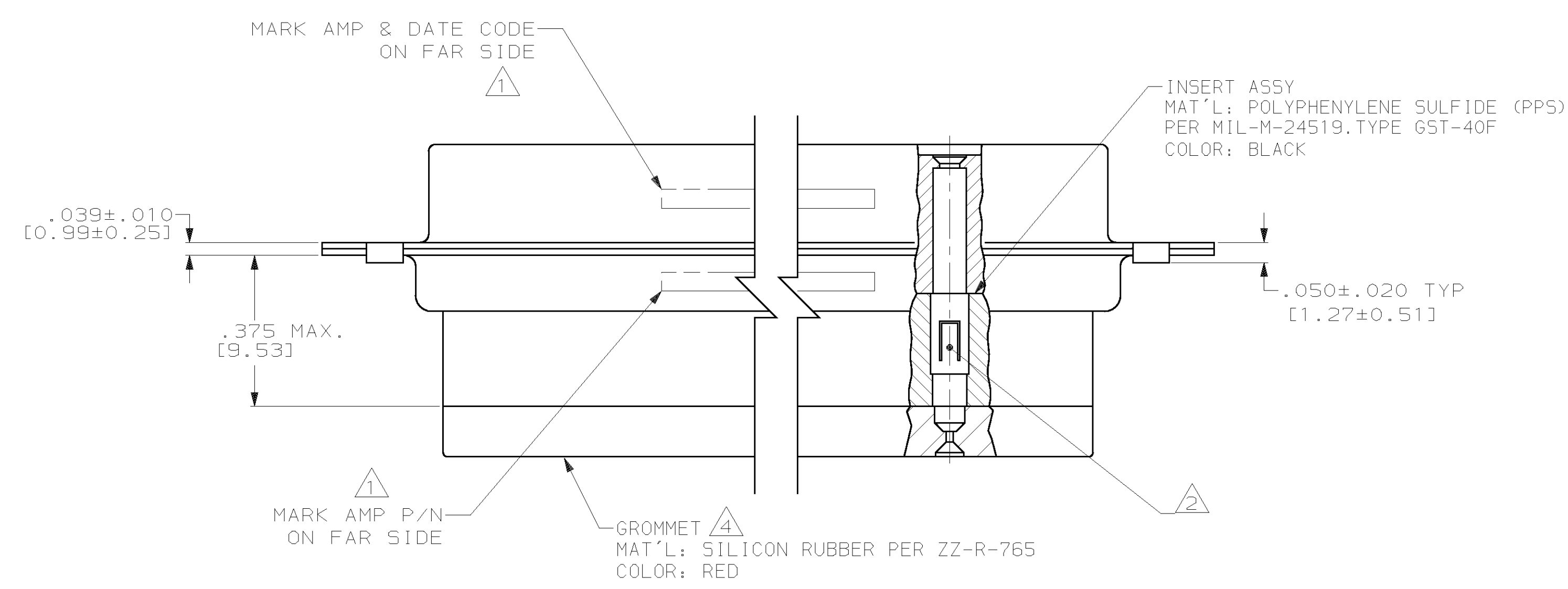
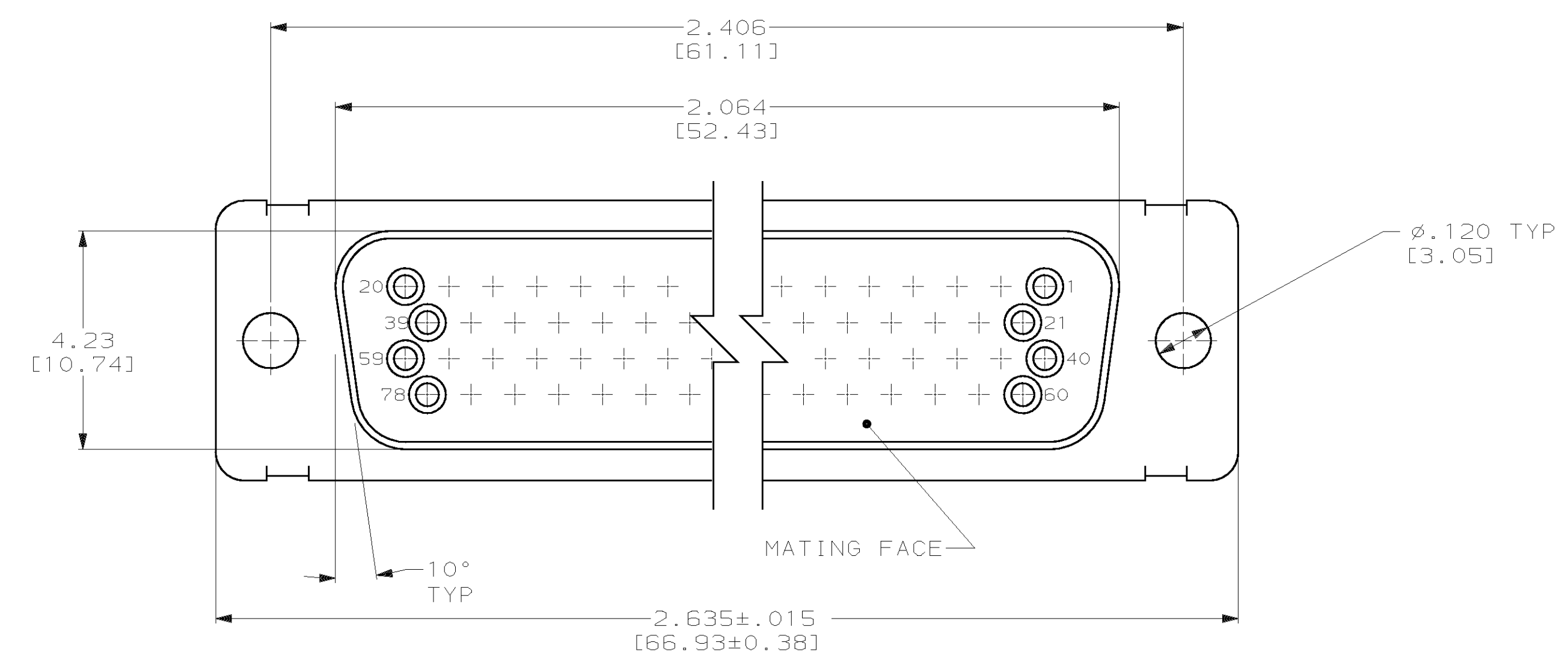


| LOC | | DIST | | REVISIONS | | | |
|-----|----|------|-----|----------------------|-------|-----|------|
| DF | DO | BY | LYR | DESCRIPTION | DATE | OWN | APVD |
| | | B | | REV PER 0630-0284-00 | 11-00 | CT | RG |

- 1. MARKED WITH .047 [1.19] HIGH CHARACTERS. FAR SIDE REFERS TO WIDE SIDE OF KEYSTONE, NEAR SIDE REFERS TO NARROW SIDE OF KEYSTONE.
- 2. STAINLESS STEEL RETENTION CLIPS ARE INCLUDED IN INSERTS.
- 3. THIS RECEPTACLE WILL MATE WITH ANY PLUG CONNECTOR WITH THE SAME INSERT ARRANGEMENT.
- 4. MAXIMUM WIRE INSULATION USED WITH THIS CONNECTOR IS .054 [1.37] DIAMETER WITH GROMMET
- 5. CONTACTS ARE PACKAGED SEPARATELY AND SHIPPED WITH CONNECTOR.



SIZE 22D SOCKET CONTACT (QTY=78)
 MAT'L: BODY- COPPER ALLOY
 SLEEVE- STAINLESS STEEL
 FINISH: BODY- GOLD PLATED PER MIL-G-45204 OVER NICKEL PER QQ-N-290 SLEEVE- PASSIVATED PER QQ-P-35

1218535-1
 PART NO.

| | | | |
|--|------------------------|--------------------------------|--|
| THIS DRAWING IS A CONTROLLED DOCUMENT. | | DWN C.C. THOMAS 9/23/99 | AMP Incorporated Harrisburg, PA 17105-3608 |
| DIMENSIONS: INCHES (mm) | | CHK CHAD BAKER 10-5-99 | |
| TOLERANCES UNLESS OTHERWISE SPECIFIED: | | APP'D CHAD BAKER 10-5-99 | NAME RCPT ASSY, SIZE 5, 78 POSN., SERIES 90, AMPLIMITE |
| 0 PLC ± | 1 PLC ± | PRODUCT SPEC | SIZE CAGE CODE DRAWING NO |
| 2 PLC ± | 3 PLC ± | APPLICATION SPEC | A1 00779 C-1218535 |
| 4 PLC ± | 5 PLC ± | RESTRICTED TO | — |
| MATERIAL SEE CALLOUTS | FINISH SEE CALLOUTS | WEIGHT | CUSTOMER DRAWING |
| | | SCALE 4:1 | SHEET 1 OF 1 |