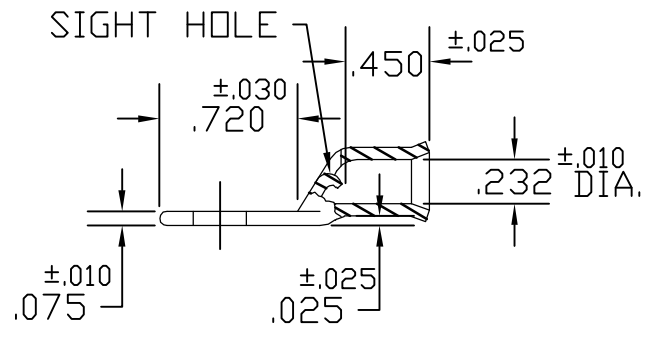
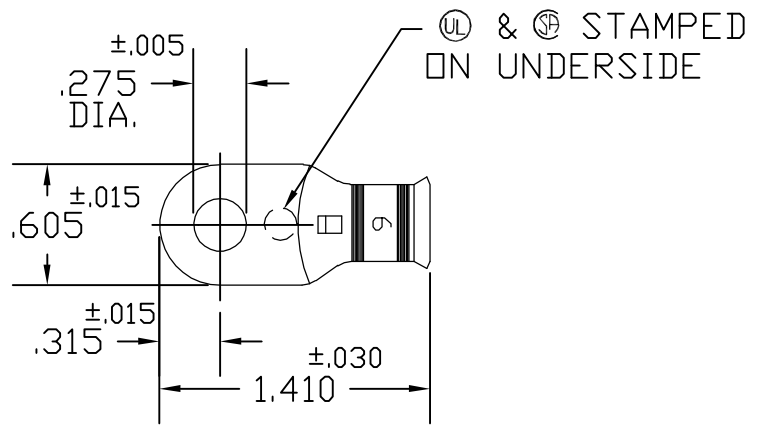


THIS DRAWING IS UNPUBLISHED. RELEASED FOR PUBLICATION  
 © COPYRIGHT BY TYCO ELECTRONICS CORPORATION. ALL RIGHTS RESERVED.

LOC	DIST	REVISIONS					
		P	LTR	DESCRIPTION	DATE	DWN	APVD
G	50		A1	REVISED PER ECR-06-013318	06JUN06	HMR	JR



COLOR CODED BLUE

ACTIVE	6142-60	STANDARD	COLOR CODED	1527126-3
STATUS	AET P/N	PACKAGING	FINISH	PART NUMBER

THIS DRAWING IS A CONTROLLED DOCUMENT.		DWN D.A.A 10/30/00	Tyco Electronics Corporation Harrisburg, PA 17105-3608		
DIMENSIONS: INCHES		CHK H.D.F 10/30/00			
TOLERANCES UNLESS OTHERWISE SPECIFIED:		APVD H.D.F 10/30/00	NAME 6 STANDARD TERMINAL W/SIGHT HOLE & COLOR PLATED		
0 PLC ± - 1 PLC ± - 2 PLC ± - 3 PLC ± - 4 PLC ± - ANGLES ± -		PRODUCT SPEC -	SIZE A3		
MATERIAL COPPER ASTM B-152		FINISH -	APPLICATION SPEC -	CAGE CODE 00779	DRAWING NO C-1527126
CUSTOMER DRAWING			WEIGHT -	RESTRICTED TO -	SCALE 1:1
			SHEET 1 OF 1		REV A1