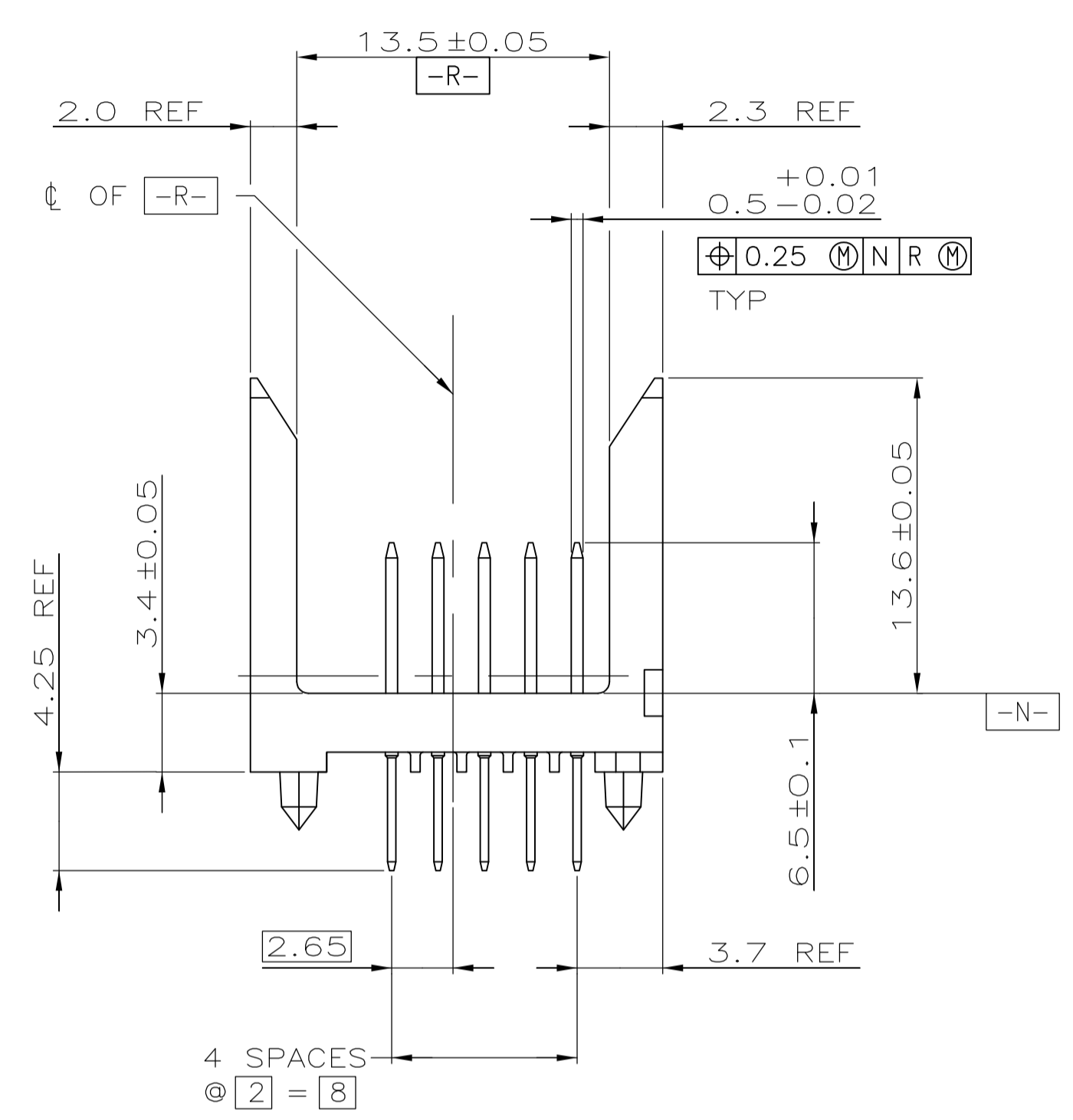
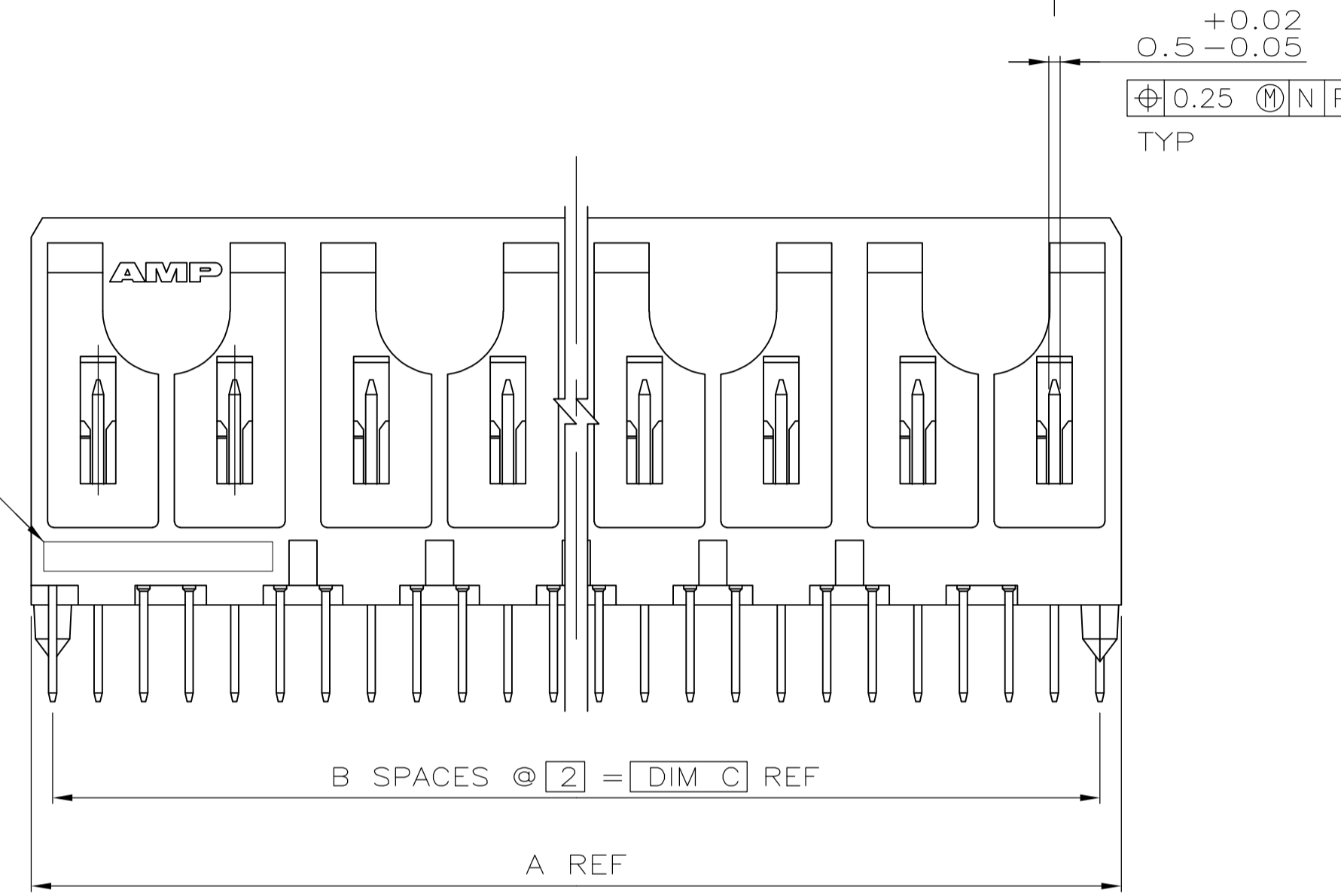
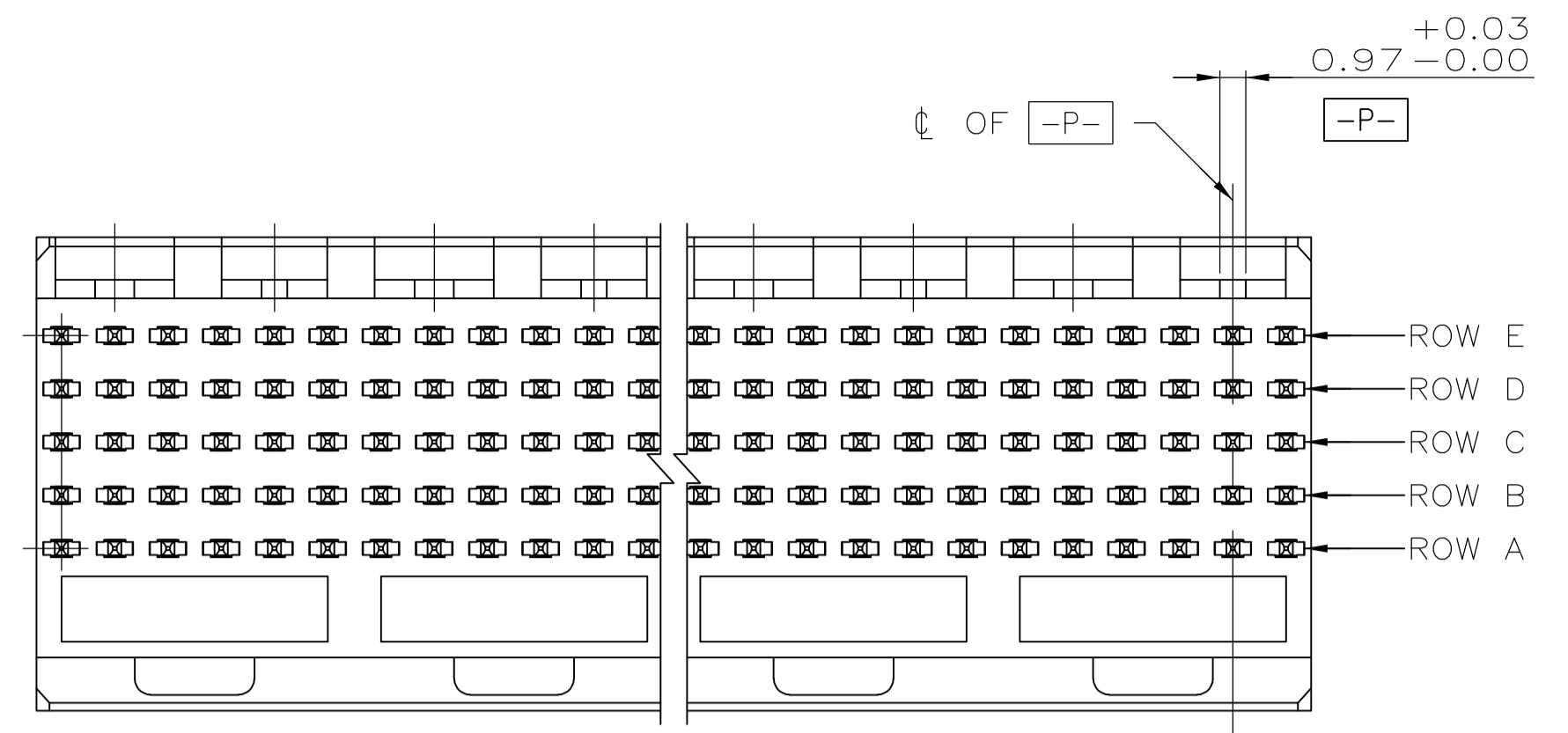
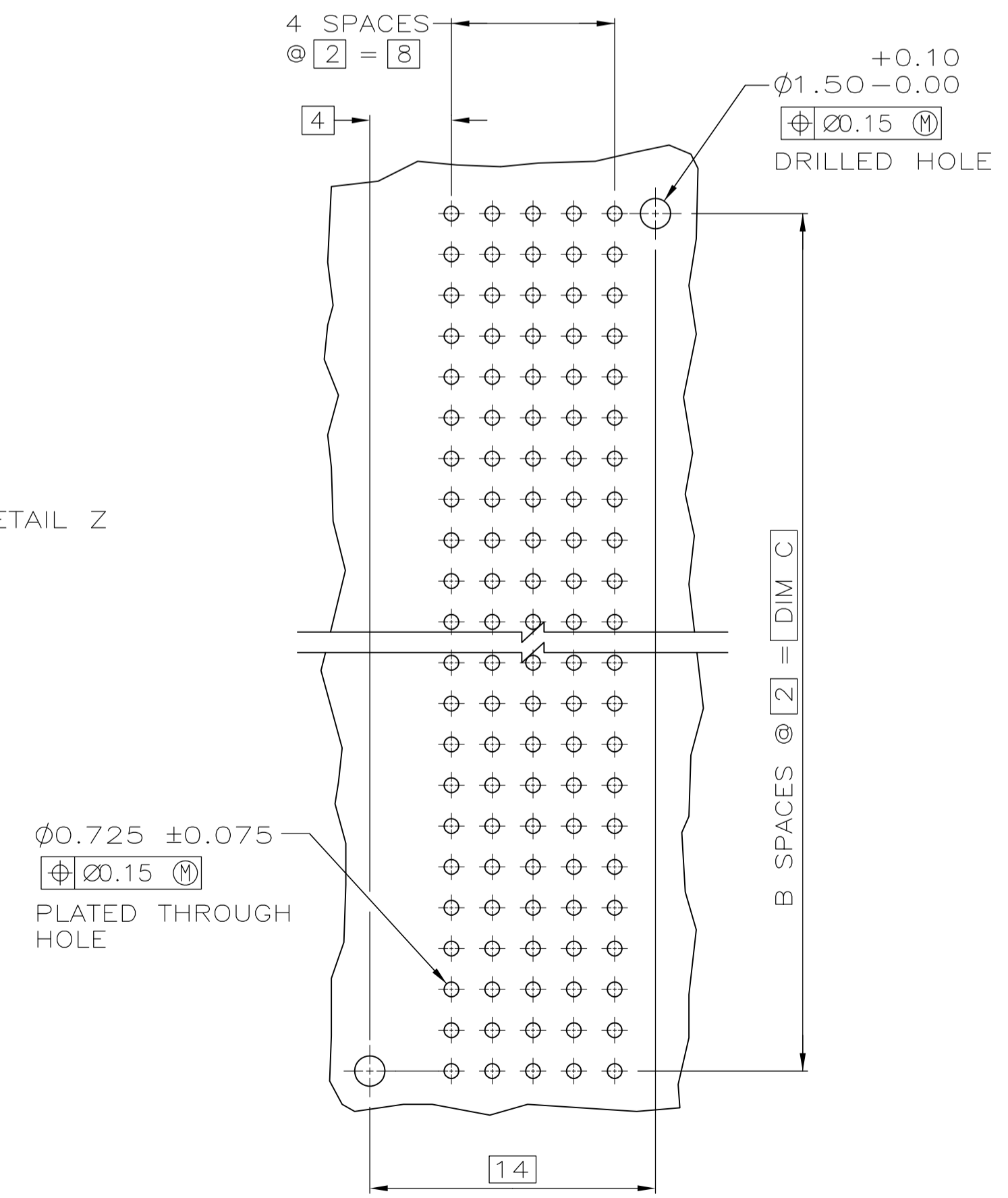
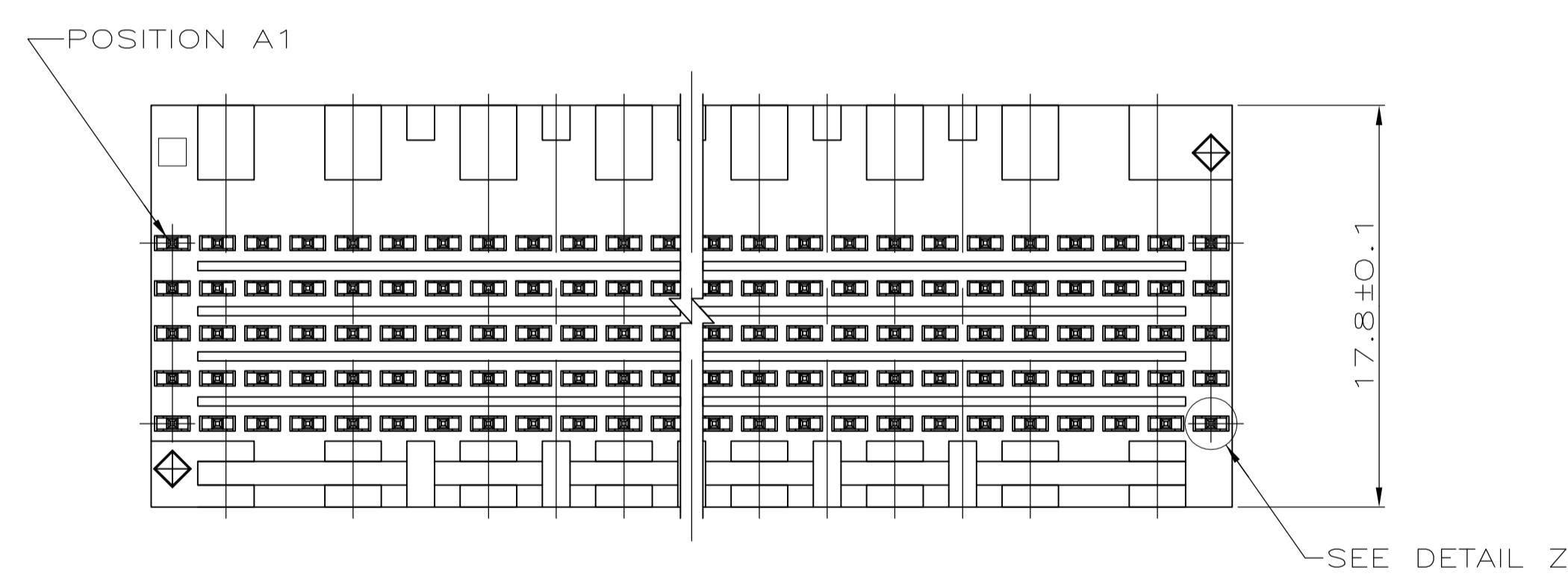
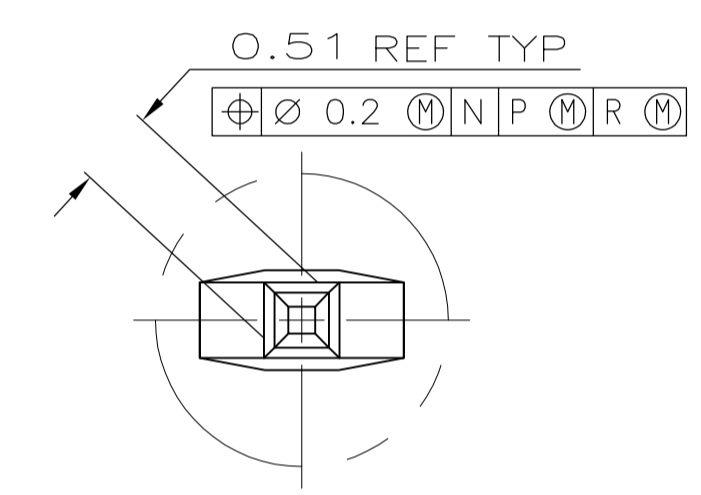


LOC	DIST	REVISIONS			
P	LTR	DESCRIPTION	DATE	DMN	APVD
H1		REVISED PER ECR-08-032448	19DEC2008	S.W	S.Y
J		REVISED PER ECO-15-003999	13MAR15	D.S.F.	Y



- 1 HOUSING MATERIAL: LIQUID CRYSTAL POLYMER  
COLOR: NATURAL.
- 2 CONTACT MATERIAL: PHOSPHOR BRONZE
- 3 CONTACT FINISH:  
UNDERPLATE (ENTIRE CONTACT):  
0.00127 MIN NICKEL.  
ON MATING SURFACES:  
CONFORMS TO ALL TESTING SPECIFIED FOR TELCORDIA  
UNCONTROLLED ENVIRONMENT.  
ON LEADS  
0.00381 MIN TIN-LEAD OVER UNDERPLATE.  
LUBRICATION (ENTIRE CONTACT):  
SURFACE CONDITIONER PER AMP SPEC 112-1002 AFTER PLATING.
- 4 PART MARKING LOCATED APPROXIMATELY AS SHOWN.
- 5 OBSOLETE PARTS: OBSOLETE CIS STREAMLINING  
PER D.RENAUD/D.SINISI



RECOMMENDED CIRCUIT PATTERN (COMPONENT SIDE)

5	OBSOLETE	130	65	131.88	3	330	1-223000-1
5	OBSOLETE	118	59	119.88	3	300	1-223000-0
5	OBSOLETE	106	53	107.88	3	270	223000-9
5	SUPERSEDED BY 5223000-8	94	47	95.88	3	240	223000-8
5	OBSOLETE	82	41	83.88	3	210	223000-7
	SUPERSEDED	70	35	71.88	3	180	223000-6
		58	29	59.88	3	150	223000-5
		46	23	47.88	3	120	223000-4
		34	17	35.88	3	90	223000-3
	OBSOLETE	22	11	23.88	3	60	223000-2
		10	5	11.88	3	30	223000-1
		C	B	A	FINISH	NO OF SIGNAL POSN	PART NUMBER

THIS DRAWING IS A CONTROLLED DOCUMENT.

DIN R BUCHHEISTER 10/JAN/96  
CHK D BAECHTLE 11/JAN/96  
APVD D SINISI 11/JAN/96

**STE** TE Connectivity

ASSEMBLY, PIN, SIGNAL, VERTICAL, Z-PACK 2mm FB, 5 ROW, SOLDER LEAD

SIZE: A1 CASE CODE: 00779 DRAWING NO: 223000

WEIGHT: RESTRICTED TO: CUSTOMER DRAWING SCALE: 4:1 SHEET: 1 OF 1 REV: J