

4

3

2

1


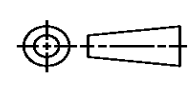
THIS DRAWING IS UNPUBLISHED. RELEASED FOR PUBLICATION  
© COPYRIGHT ALL RIGHTS RESERVED.

LOC		DIST		REVISIONS		
P	LTR	DESCRIPTION	DATE	DWN	APVD	
	A1	ECR-13-019325	24DEC2013	RS	LZ	

# REPLACED BY OCEAN STYLE APPLICATOR PART NUMBER 2151356-6

FOR REPLACEMENT PARTS FOR APPLICATOR 1911047 REFER TO ADDITIONAL PAGE(S). SPARE PARTS KIT (IF LISTED) WILL REMAIN AVAILABLE.

THE REPLACEMENT OCEAN STYLE APPLICATOR HAS THE SAME TERMINATOR/PRESS INTERFACE AS APPLICATOR 1911047

THIS DRAWING IS A CONTROLLED DOCUMENT.		DWN R.SHEN	 TE Connectivity			
DIMENSIONS:		CHK LJ.ZHANG				
		APVD U.GUO	NAME SIDE FEED SYSTEM III APPLICATOR			
		PRODUCT SPEC	APPLICATION SPEC			
MATERIAL	FINISH	WEIGHT	SIZE A3	CAGE CODE	DRAWING NO C-1911047	RESTRICTED TO
CUSTOMER ACCESSIBLE PRODUCTION DRAWING			SCALE	SHEET 1 OF 2	REV A1	

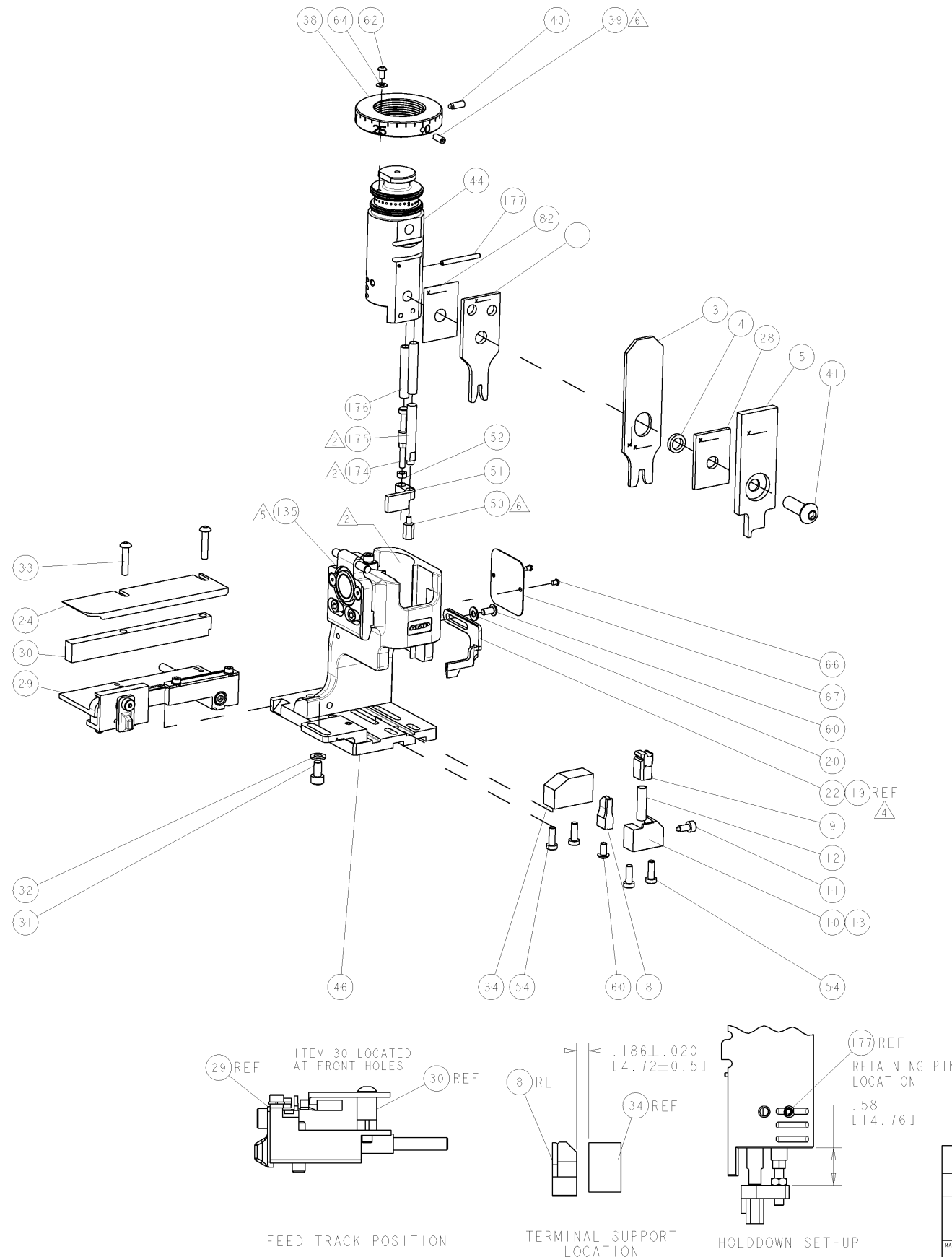
PART NUMBER	REV	DESCRIPTION	PROGRAMMED MEMORY CHIP
1911047-1	A	CUTS CARRIER	8-1911047-1
1911047-6	A	CONTINUOUS CARRIER	8-1911047-6
7-1911047-1	A	-1 AND SPARE PARTS	9-1911047-1
7-1911047-6	A	-6 AND SPARE PARTS	9-1911047-6
7-1911047-7	A	SPARE PARTS KIT	-

APPLICATOR DATA		
CRIMP	SIZE	TYPE
WIRE	.110 [2.79mm]	F
INSUL	.160 [4.06mm]	F

TERMINAL DATA: TE TERMINAL		TYCO ELECTRONICS CRIMP SPEC	
TERMINAL NAME: JUNIOR POWER TIMER CONTACT			
WIRE STRIP LENGTH		INSULATION DIAMETER RANGE	
.157-.181 [4.0-4.6 mm]		.106-.161 [2.70mm-4.10mm]	
TERMINAL APPL SPEC	114-18050		
TERMINALS APPLIED			
927773-3	927773-1	927773-6	1-927773-1
2-927773-1			

WIRE SIZE	CRIMP HEIGHT
2.5mm <sup>2</sup>	.070±.002 [1.77±.05]
2mm <sup>2</sup>	.065±.002 [1.64±.05]
1.5mm <sup>2</sup>	.059±.002 [1.51±.05]
14AWG	.064±.002 [1.62±.05]
16AWG	.057±.002 [1.45±.05]

REV	DESCRIPTION	DATE	BY	APPD
A	RELEASED	13JUN2007	MEH	GB



- RECOMMENDED SPARE PARTS.
- GREASE BEARING SURFACES LIGHTLY.
- 3. LUBRICATE DAILY PER THE APPLICATOR INSTRUCTION SHEET SUPPLIED WITH THE APPLICATOR.
- ITEM 19 - OPTIONAL STRIPPER FOR BENCH MACHINE APPLICATIONS.
- APPLICATOR SPECIFIC DATA TO BE ENTERED INTO BLANK MEMORY CHIP AT ASSEMBLY.
- APPLY P/N 1-23419-5 LOCTITE(R) TO THREADS.

-	1	1	1	1	1-993111-6	PIN, SLOTTED SPRING 3.0 X 30.0	177
-	2	2	2	2	3-22280-7	SPRING, COMPRESSION	176
-	1	1	1	1	1752353-1	GUIDE PIN, HOLDDOWN	175
-	1	1	1	1	1901680-1	GUIDE PIN, HOLDDOWN	174
-	REF	REF	REF	REF	SEE TABLE	MEMORY CHIP, PROGRAMMED	135
-	1	1	1	1	455888-1	SPACER, CRIMPER	82
-	1	1	1	1	1633565-1	DOCUMENTATION PACKAGE	71
-	1	1	1	1	1901048-1	TAG, IDENTIFICATION	67
-	2	2	2	2	21017-1	SCREW, DRIVE	66
-	1	1	1	1	18028-1	WASHER, FLAT, REG M3	64
-	1	1	1	1	1655785-9	SCR, BTN SKT HD CAP (M3 X 6)	62
-	2	2	2	2	1655785-1	SCR, BTN SKT HD CAP (M4 X 8)	60
-	4	4	4	4	1655783-3	SCR, CAP, SOC HD, LOW HEAD, M4 X 12	54
-	1	1	1	1	1-18030-0	NUT, HEX, REG M3.5	52
-	1	1	1	1	1901681-1	HOLDDOWN, TERMINAL	51
-	1	1	1	1	2-1752354-4	STANDOFF, HOLD-DOWN	50
-	1	1	1	1	1752300-1	SF SYSTEM III APPLICATOR	46
-	1	1	1	1	1752308-1	RAM	44
-	1	1	1	1	2-1655785-3	SCR, BTN SKT HD CAP (M8 X 25)	41
-	1	1	1	1	993002-4	SCREW, SET, SFT TIP	40
-	1	1	1	1	1962043-1	PLUNGER, BALL, METRIC	39
-	1	1	1	1	1752309-3	RING, INSULATION CRIMP	38
-	1	1	1	1	1752356-5	SUPPORT, TERMINAL	34
-	2	2	2	2	3-1655785-3	SCR, BTN SKT HD CAP (M4 X 20)	33
-	1	1	1	1	18028-3	WASHER, FLAT, REG M5	32
-	1	1	1	1	5-1655316-3	SCR, SKT HD CAP, M5 X 10.0	31
-	1	1	1	1	1320908-8	SPACER, STRIP GUIDE	30
-	1	1	1	1	1901087-1	ASSEMBLY, STRIP GUIDE	29
-	1	1	1	1	2-455888-5	SPACER, CRIMPER	28
-	1	1	1	1	1320928-1	PLATE, STRIP GUIDE	24
-	1	1	1	1	1976045-1	STRIPPER	22
-	1	1	1	1	18028-2	WASHER, FLAT, REG M4	20
-	REF	REF	REF	REF	1752311-1	STRIPPER	19
-	1	1	1	1	1338684-1	SHEAR HOLDER, FRONT	13
-	1	1	1	1	3-22280-3	SPRING, COMPRESSION	12
-	1	1	1	1	356885-4	STOP, SHEAR	11
-	1	1	1	1	1320921-1	SHEAR HOLDER, FRONT, CUT	10
-	1	1	1	1	462006-1	FLOATING SHEAR, FRONT	9
-	1	2	2	1	1-1333207-3	ANVIL, COMBINATION	8
-	1	1	1	1	2-455889-7	DEPRESSOR, SHEAR	5
-	1	1	1	1	238011-4	BLOCK, CRIMPER SPACER	4
-	1	2	2	1	683453-1	CRIMPER, INSULATION PREMIUM	3
-	-	-	-	-	-	-	2
-	1	2	2	1	456408-2	CRIMPER, WIRE PREMIUM	1

DIMENSIONS: INCHES(mm)		TOLERANCES UNLESS OTHERWISE SPECIFIED:		DWN: D. WRIGHT 22MAY2007		CHK: N. DEMING 22MAY2007		APFD: N. DEMING 22MAY2007		NAME: SIDE FEED SYSTEM III APPLICATOR	
0 PLC	±	0.0005	±	0.0005	±	0.0005	±	0.0005	±	0.0005	±
1 PLC	±	0.0010	±	0.0010	±	0.0010	±	0.0010	±	0.0010	±
2 PLC	±	0.0015	±	0.0015	±	0.0015	±	0.0015	±	0.0015	±
3 PLC	±	0.0020	±	0.0020	±	0.0020	±	0.0020	±	0.0020	±
4 PLC	±	0.0025	±	0.0025	±	0.0025	±	0.0025	±	0.0025	±
ANGLES	±	0.0050	±	0.0050	±	0.0050	±	0.0050	±	0.0050	±
MATERIAL:		FINISH:		WEIGHT:		SIZE:	A	CASE CODE:	00779	DRAWING NO:	1911047
CUSTOMER DRAWING										SCALE:	3:5
										SHEET:	1
										REV:	A