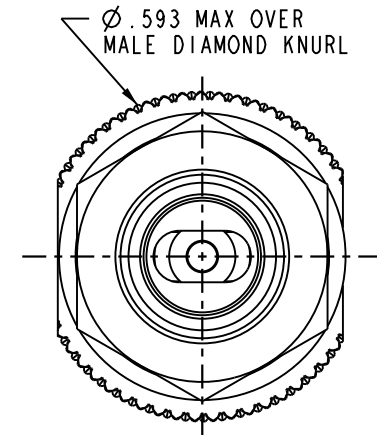
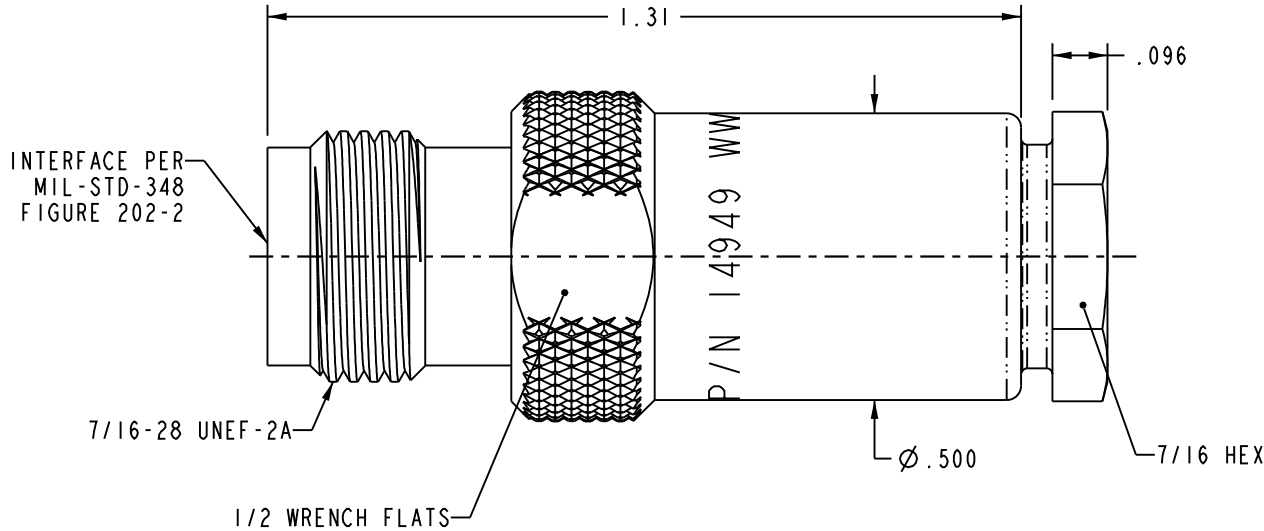
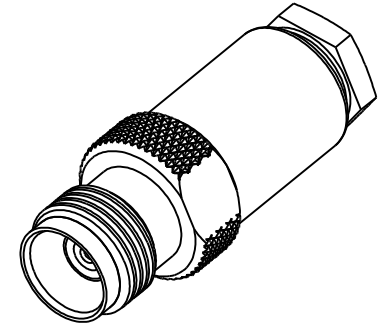


TABLE 1				
MILITARY PART NUMBER	MILITARY CABLE #	TEI DASH #	ASSEMBLY PER	NSN NUMBER
M49142/11-0001	M17/134-00001 M17/134-00003	7	TAI-189	—
M49142/11-0002	M17/134-00002 M17/134-00004	7	TAI-189	—
M49142/11-0006	M17/176-00002	47	TAI-102	5935013979882
M49142/11-0007	M17/116-RG307	41A	TAI-250	—
M49142/11-0009	M17/177-00001	60	TAI-189	—
M49142/11-0012	M24643/33-01UN	9A	TAI-184	—

DATA CONTAINED IN THIS DOCUMENT IS PROPRIETARY TO CINCH CONNECTIVITY SOLUTIONS AND SHALL NOT BE DISCLOSED, COPIED OR USED FOR PROCUREMENT OR MANUFACTURE WITHOUT EXPRESS WRITTEN PERMISSION

REVISIONS			
REV	DESCRIPTIONS	DATE	APPROVED
R	ECO 53738	9/24/13	C. MONAHAN



NOTES: UNLESS OTHERWISE SPECIFIED.

INTERPRET DRAWING PER MIL-STD-100. DIMENSIONS ARE IN INCHES AND INCLUDE FINISH THICKNESS UNLESS OTHERWISE SPECIFIED.



DRN C. WALLACE	9/25/13	MATERIAL:
CHK C. MONAHAN	9/26/13	FINISH:
QUALITY		
MANUF		
APPROVED		
PROJ FILE NO. 3-0331	DO NOT SCALE DWG	

TITLE: M49142/11 WRENCH CRIMP TRT JACK			
SIZE A	CAGE CODE 14949	DRAWING NO. 3-0331	REV. R
SCALE 3/1	DATE	SHEET 1 OF 2	