

THIS DRAWING IS UNPUBLISHED. RELEASED FOR PUBLICATION SEP, 2005.

© COPYRIGHT 2005 BY TYCO ELECTRONICS CORPORATION. ALL RIGHTS RESERVED.

LOC	DIST	REVISIONS					
E	B	P	LTR	DESCRIPTION	DATE	DWN	APVD
		C		ECR-05-011509	21SEP05	JMS	FWK

NOTES:

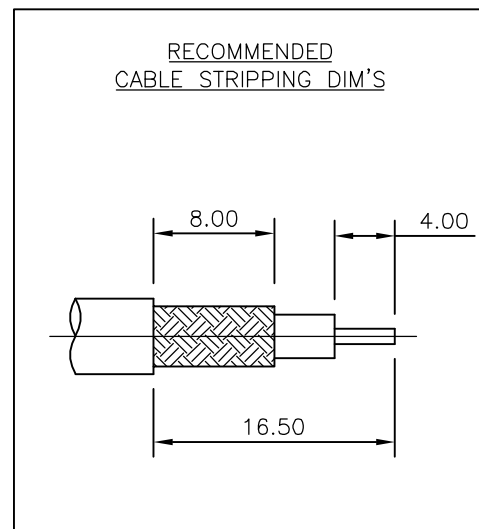
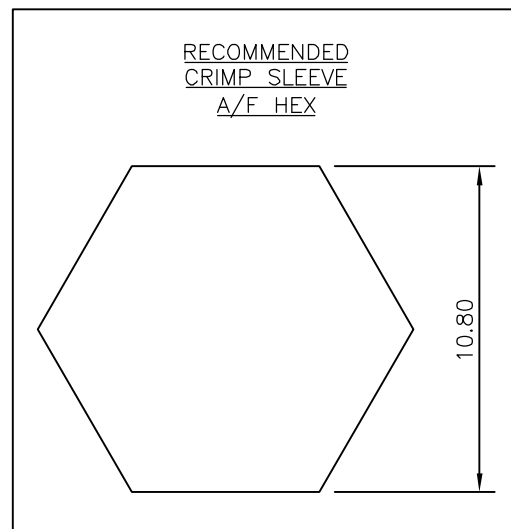
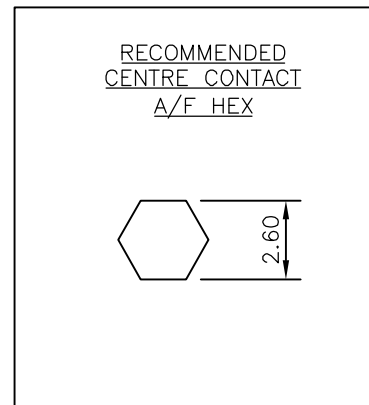
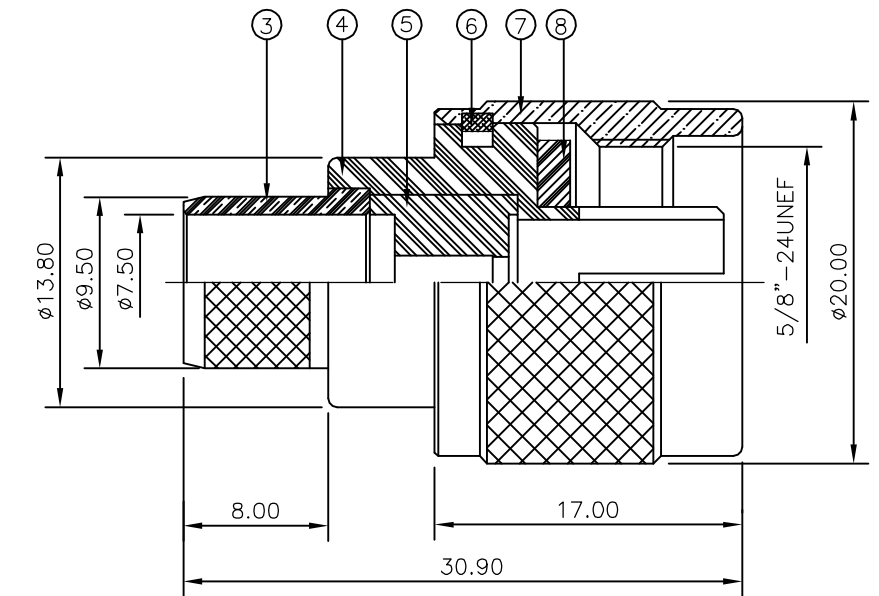
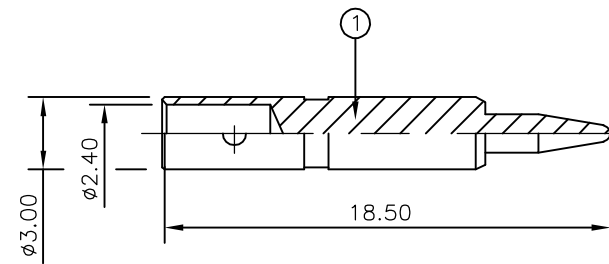
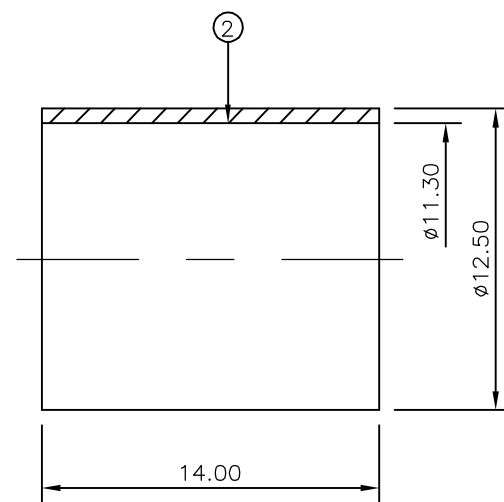
- ① PACK IN ACCORDANCE WITH AMP SPEC 107-3275
- ② 100 TRAY PACK IN ACCORDANCE WITH AMP SPEC 107-3275
- ③ Ag PLATING
- ④ THIS ITEM MUST BE WHITE

- 5. HAND TOOL: 9-478240-0
- 6. DIE SET: 9-1478246-0

7. ELECTRICAL CHARACTERISTICS
- |                               |                             |
|-------------------------------|-----------------------------|
| FREQUENCY RANGE:              | DC - 11 GHz                 |
| NOMINAL IMPEDANCE:            | 50 Ohm                      |
| INSULATION RESISTANCE:        | 5000 MOhm                   |
| WORKING VOLTAGE:              | 1000 Volts RMS at Sea Level |
| DIELECTRIC WITHSTAND VOLTAGE: | 2500 Volts RMS Max          |
| CONTACT RESISTANCE:           |                             |
| CENTRE CONTACT:               | 1.00 mOhm Max               |
| OUTER CONTACT:                | 1.00 mOhm Max               |
| VSWR @ 4GHz:                  | 1.30:1 Max                  |
| INSERTION LOSS dB @ x 4 GHz:  | 0.30 Max                    |

8. MECHANICAL CHARACTERISTICS
- |                               |                |
|-------------------------------|----------------|
| COUPLING NUT RETENTION FORCE: | 445N Min       |
| CABLE RETENTION FORCE:        | 350N Min       |
| DURABILITY:                   | 500 Cycles Min |

9. ENVIRONMENTAL CHARACTERISTICS
- |                        |                  |
|------------------------|------------------|
| OPERATING TEMPERATURE: | -65 to +165 DegC |
|------------------------|------------------|



QTY	QTY PER ASSY	MATERIAL	DESCRIPTION	ITEM	
1	1	SILICON RUBBER	GASKET	8	
1	1	BRASS	SHELL	7	
1	1	BRASS	CIRCLIP	6	
1	1	PTFE	INSULATION	5	
1	1	BRASS	BODY	4	
1	1	BRASS	CHASSIS	3	
1	1	BRASS	FERRULE	2	
1	1	BRASS	CONTACT	1	
6--0	1--0		MATERIAL	DESCRIPTION	ITEM

THIS DRAWING IS A CONTROLLED DOCUMENT.

DIMENSIONS: mm	TOLERANCES UNLESS OTHERWISE SPECIFIED:
	0 PLC ± -
	1 PLC ± -
	2 PLC ± -
	3 PLC ± -
	4 PLC ± -
	ANGLES ± -
MATERIAL SEE TABLE	FINISH SEE TABLE

DWN	J.SANDWELL	21SEP05
CHK	S.PARLOW	21SEP05
APVD	F.WHEELER-KING	21SEP05
PRODUCT SPEC	108-3435	
APPLICATION SPEC	411-3247	
WEIGHT	-	
CUSTOMER DRAWING		

		Tyco Electronics Corporation Bideford EX39 4HE	
NAME			
TYPE-N STRAIGHT PLUG CRIMP 50 OHM RG9B/U, 214/U, URM 91, KX13, KX24			
SIZE	CAGE CODE	DRAWING NO	RESTRICTED TO
A3	00779	C-1337415	-
SCALE		SHEET	REV
NTS		1 OF 1	C