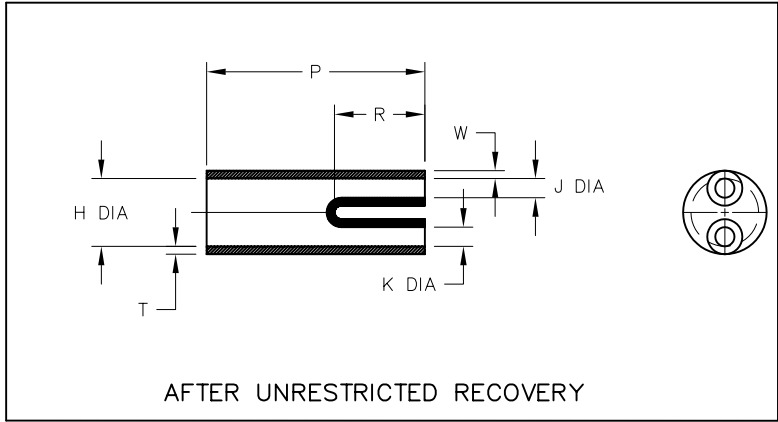
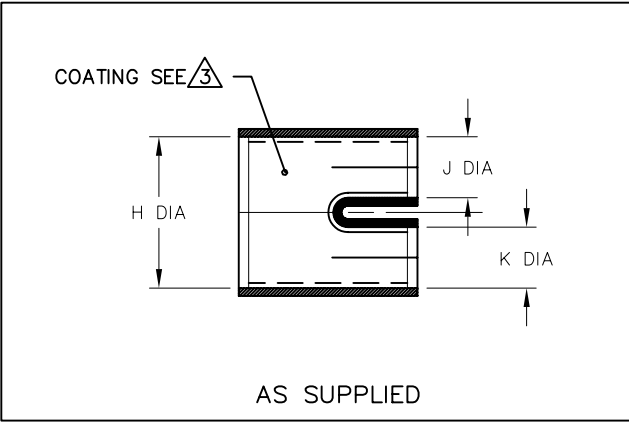


REVISIONS		
LTR	DESCRIPTION	DATE
A	ECO-09-016592	07/15/2009

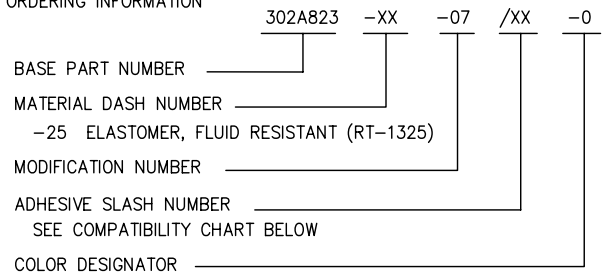


NOTES

- ALL DIMENSIONS ARE IN $\frac{\text{INCHES}}{\text{[MILLIMETERS]}}$
- DIMENSIONS APPEARING IN TABLE ARE AS FOLLOWS:
 - a - AS SUPPLIED
 - b - AFTER UNRESTRICTED RECOVERY

3 COATING (ADHESIVE): IS OPTIONAL AS SUPPLIED DIMENSIONS APPEARING IN TABLE ARE FOR UNCOATED PARTS. WHEN COATING IS ADDED, ENTRY DIAMETER WILL BE REDUCED BY .06 MAX.

4. ORDERING INFORMATION



PART DESCRIPTION	H		J & K		P	R	T	W
	MIN	MAX	MIN	MAX	±10%	±10%	±20%	±20%
	a	b	a	b	b	b	b	b
302A823-XX-07	$\frac{1.20}{[30,1]}$	$\frac{.60}{[15,2]}$	$\frac{.50}{[12,7]}$	$\frac{.17}{[4,3]}$	$\frac{2.11}{[53,6]}$	$\frac{1.11}{[28,2]}$	$\frac{.14}{[3,6]}$	$\frac{.08}{[2,0]}$

If this document is printed it becomes uncontrolled. Check for the latest revision

CUSTOMER DRAWING

COMPATIBILITY CHART			UNLESS OTHERWISE SPECIFIED DIMENSIONS ARE IN INCHES. METRIC DIMENSIONS ARE IN BRACKETS. DECIMAL TOLERANCES .XXX ± 0.005 [0.13 mm] .XX ± 0.01 [0.25 mm] .X ± 0.1 [0.50 mm] ANGLE TOLERANCE .X ± 1 DEG. TYCO ELECTRONICS RESERVES THE RIGHT TO AMEND THIS DRAWING AT ANY TIME. USERS SHOULD EVALUATE THE SUITABILITY OF THE PRODUCT FOR THEIR APPLICATION. © 2009 Tyco Electronics Corporation. All rights reserved.	DRAWN YUNGUYEN	APPROVED STRAN	 Raychem Molded Parts 305 Constitution Dr Menlo Park, CA 94025
MATERIAL DASH NO.	ADHESIVE (COATING) SLASH NO.	ADHESIVE (COATING) S NO.		RPN	TITLE	
-25	/86; /225	S-1048; S-1206		THIRD ANGLE PROJECTION		TRANSITION, 3 ENTRY SIZE B CODE IDENT. NO. 06090 DWG. NO. 302A823-XX-07
			DO NOT SCALE THIS DRAWING		SHEET 1 OF 1	