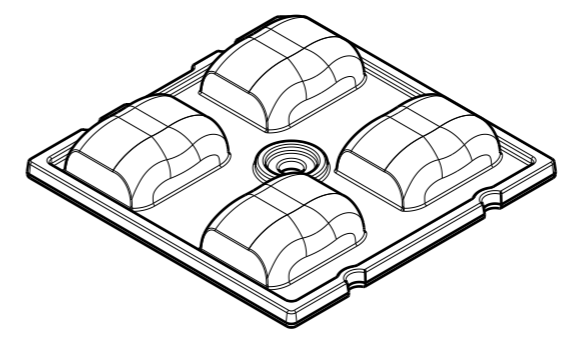
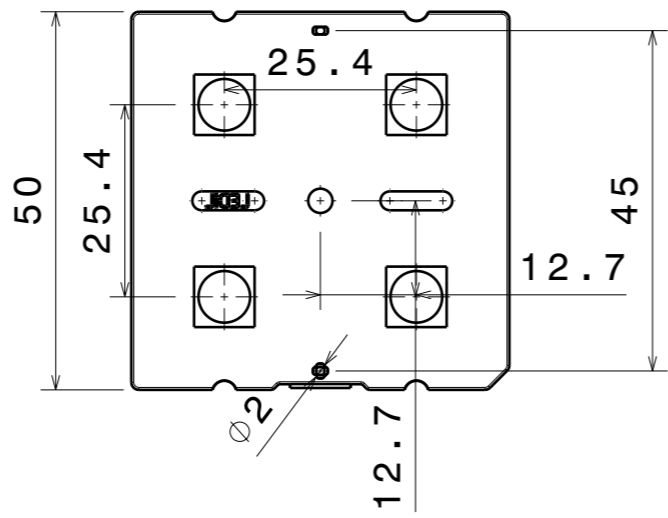


H G F E D C B A

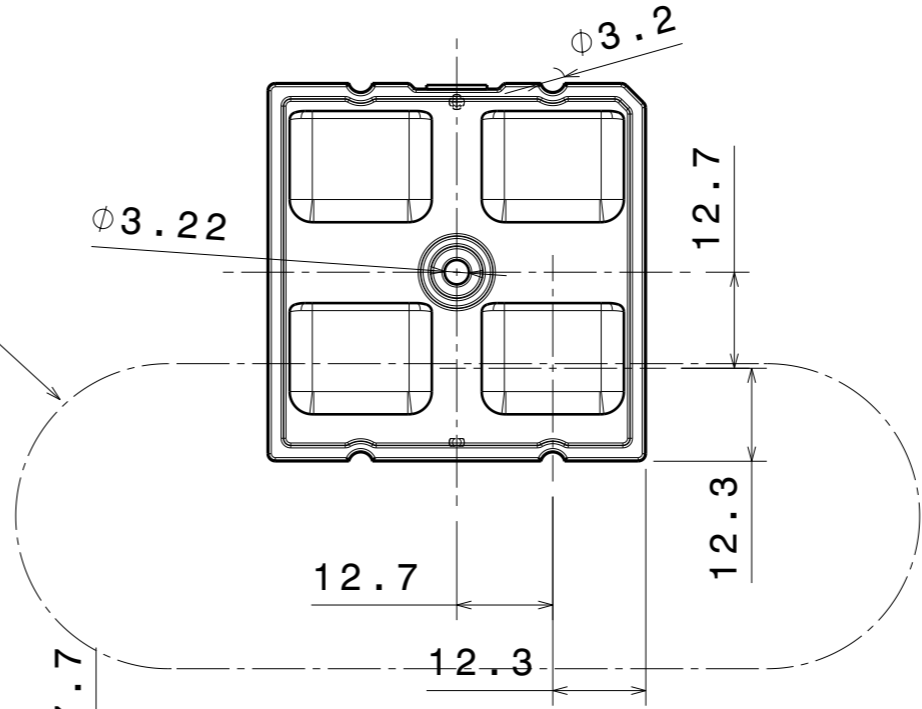
4

4



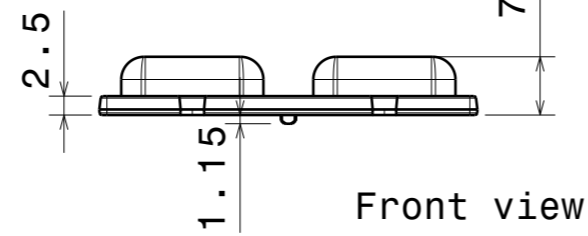
Isometric view

Bottom view



Top view

Beam Direction



Front view

3

3

2

2

1

1

PART	TYPE	MATERIAL	COLOR / COATING
C13300_STRADA-2X2-T2		PMMA	

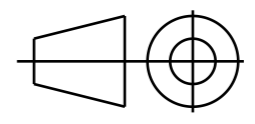
MECHANICAL DRAWING

PRODUCT **STRADA**



Plastic moulding general tolerances according to DIN 16901-130 and applies if not otherwise shown in the drawing.
Silicone moulding general tolerances according to ISO 3302-1 Class M3 and applies if not otherwise shown in the drawing.

FIRST ANGLE PROJECTION:



This drawing is the property of LEDiL Oy. It may not be copied or otherwise distributed without prior written permission from LEDiL Oy.

SCALE	1:1	WEIGHT	9,4 g	A3	SHEET 1/1
-------	-----	--------	-------	----	-----------

@ A B A