

THIS DRAWING IS UNPUBLISHED.

RELEASED FOR PUBLICATION

20

LOC J

DIST -

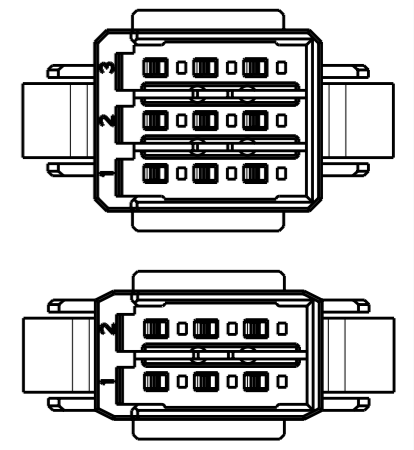
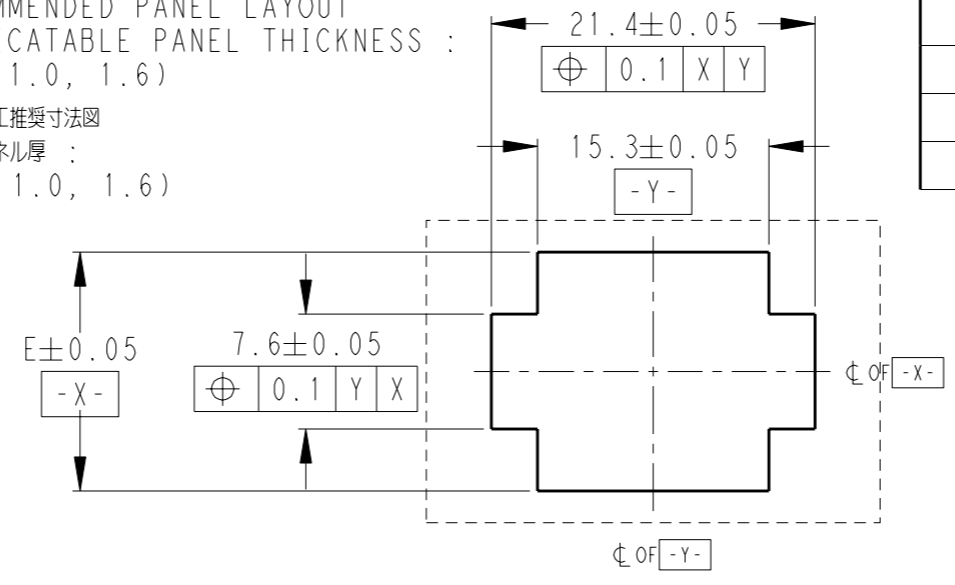
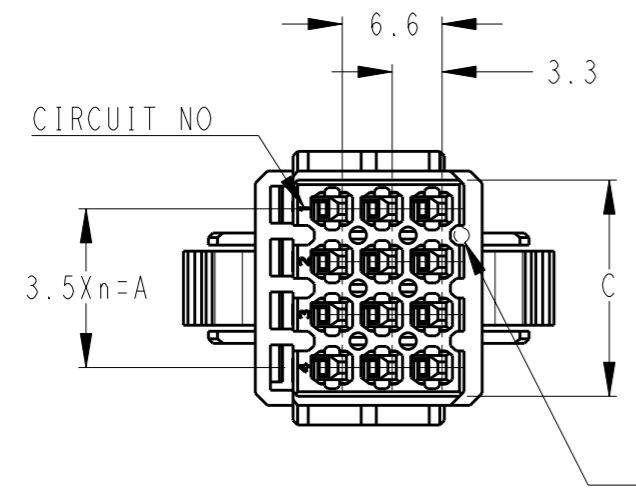
REVISIONS

© COPYRIGHT 20

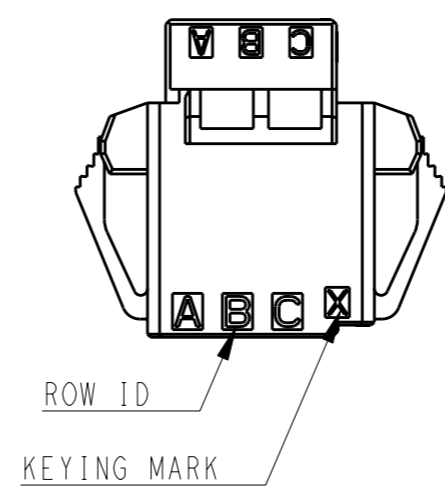
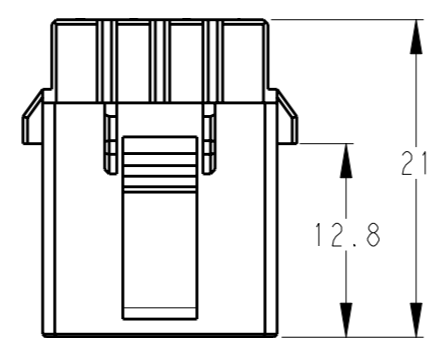
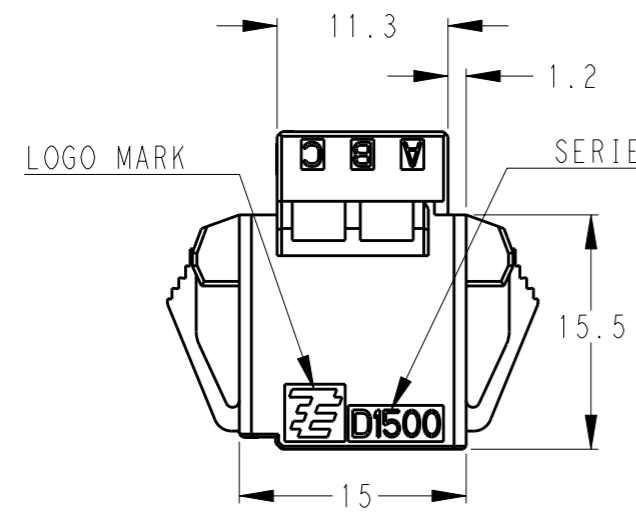
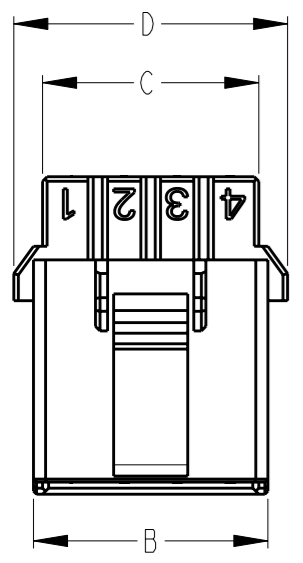
ALL RIGHTS RESERVED.

P	LTR	DESCRIPTION	ECN	DATE	DWN	APVD
	B	REVISED PER ECR-11-0025202		11MAR2010	HMR	TT

RECOMMENDED PANEL LAYOUT
 (APPLICABLE PANEL THICKNESS :
 0.8, 1.0, 1.6)
 パネル加工推奨寸法図
 (適用パネル厚 :
 0.8, 1.0, 1.6)



6POS(X-KEY): 1-2040404-2
 9POS(X-KEY): 1-2040404-3

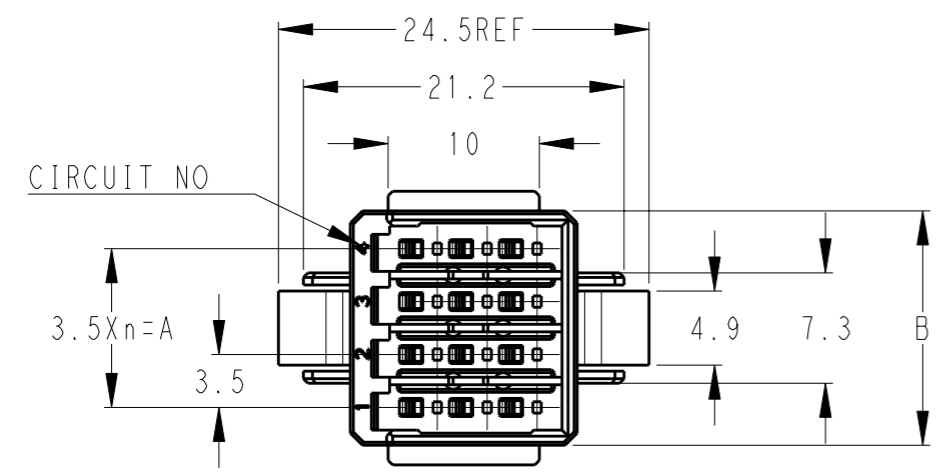


1. MATERIAL: GLASS FILLED THERMO PLASTIC
 POLYESTER(94V-0), COLOR: BLACK
 2. THE SHAPE, SIZE AND POSITION
 OF THE CHARACTER SHOW THE OUTLINE.
 THEY DON'T SHOW DETAILS.

1. 材料: ガラス入り熱可塑性ポリエステル樹脂(94V-0), 色: 黒
 2. 文字の形状、大きさ、および位置については、大略を示すものであり、
 詳細を示すものではありません。

AS SHOWN 12POS(X-KEY) : 1-2040404-4

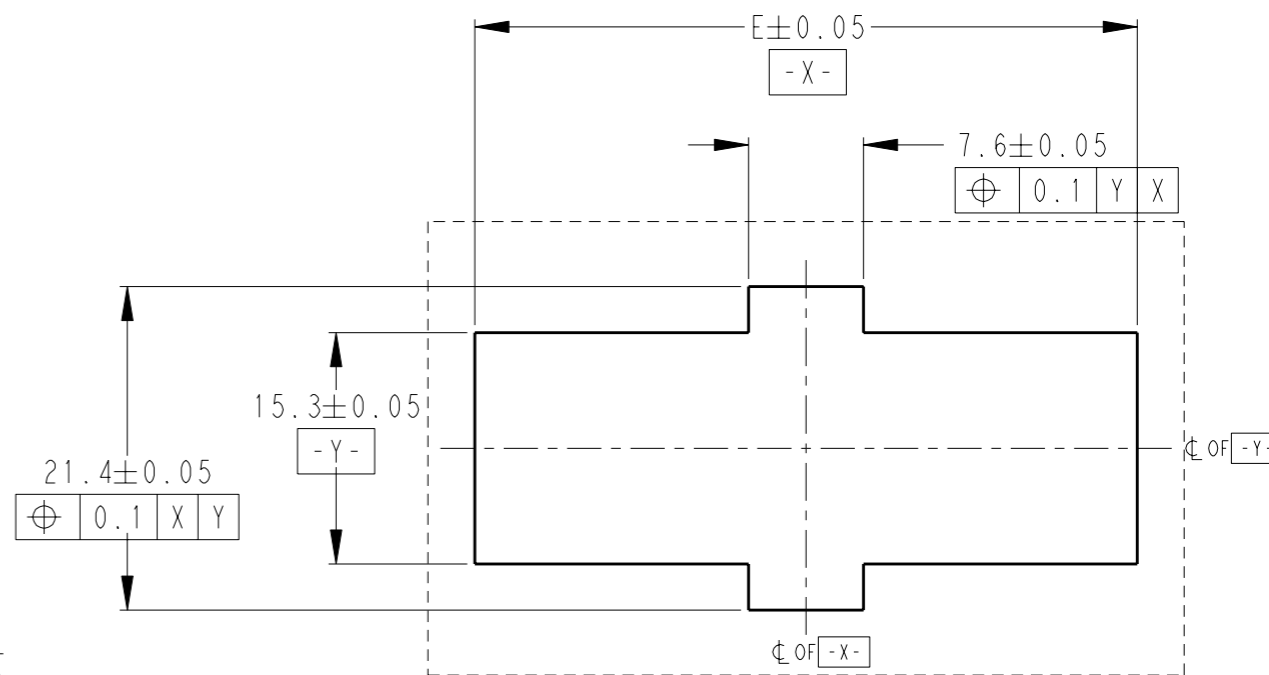
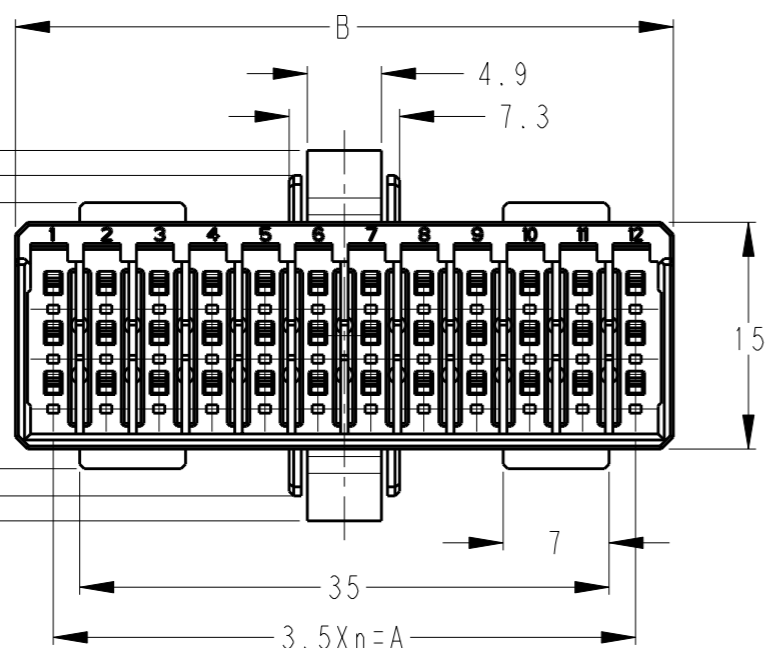
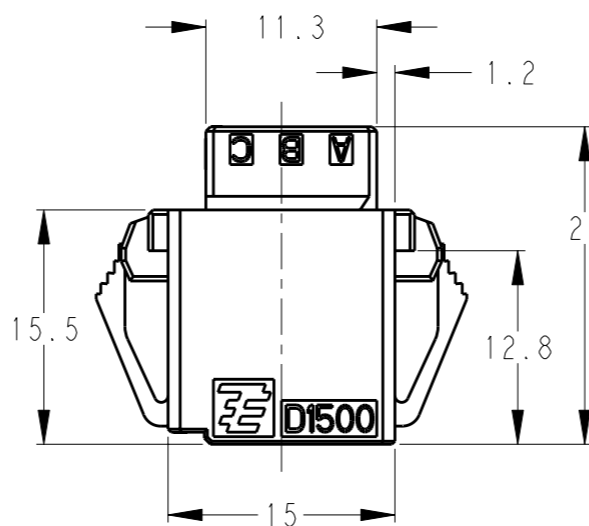
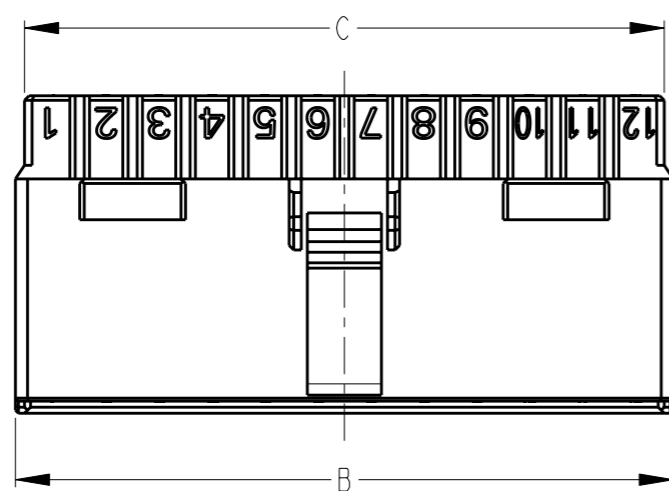
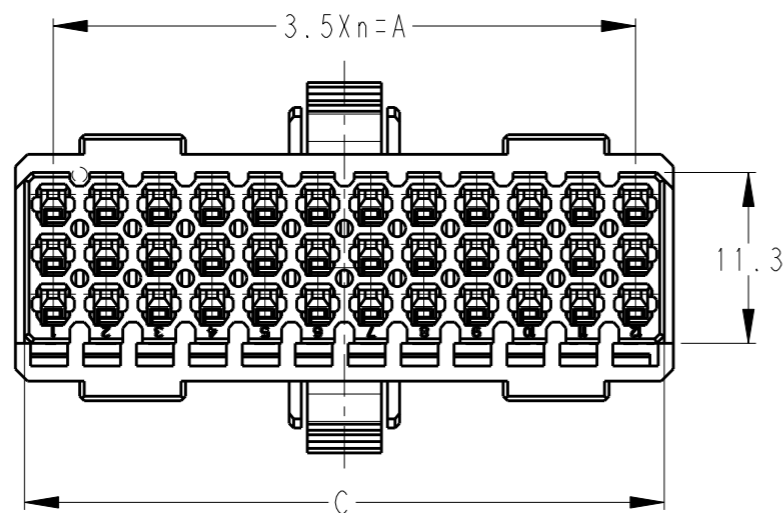
POS	KEY	n	A	B	C	D	E	PART NO
36	X	11	38.5	43.5	42.3	-	43.8	3-2040404-2
12	X	3	10.5	15.5	14.3	18.1	15.8	1-2040404-4
9	X	2	7.0	12.0	10.8	14.6	12.3	1-2040404-3
6	X	1	3.5	8.5	7.3	11.1	8.8	1-2040404-2



THIS DRAWING IS A CONTROLLED DOCUMENT.		DWN M. MAEBASHI 07NOV2008
DIMENSIONS: 単位: 概 mm		CHK T. SAKAMOTO 07NOV2008
TOLERANCES UNLESS OTHERWISE SPECIFIED: 一般公差 ±0.3, ±5°		APVD A. OISHI 07NOV2008
0-PLC ±	1-PLC ±0.1	PRODUCT SPEC 108-78268, 78298
2-PLC ±0.02	3-PLC ±0.005	APPLICATION SPEC 114-5377
4-PLC ±0.0005	ANGLES ±	WEIGHT -
MATERIAL 材料 -	FINISH 仕上 -	CUSTOMER DRAWING

TE Connectivity		NAME 名称	
		DYNAMIC D1500T 3.5mmPITCH TAB HSG (PANEL MOUNT TYPE) 6-36POS	
SIZE A3	CAGE CODE 00779	DRAWING NO 番号 C-2040404	RESTRICTED TO -
SCALE 尺度 2:1		SHEET 1 OF 2	REV B

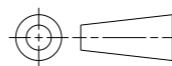
LOC	DIST	REVISIONS					
		P	LTR	DESCRIPTION	DATE	DWN	APVD
J	-	-	-	SEE SHEET 1	-	-	-



RECOMMENDED PANEL LAYOUT
 (APPLICABLE PANEL THICKNESS :
 0.8, 1.0, 1.6)
 パネル加工推奨寸法図
 (適用パネル厚 :
 0.8, 1.0, 1.6)

THIS DRAWING IS A CONTROLLED DOCUMENT.

DIMENSIONS:
mm



TOLERANCES UNLESS OTHERWISE SPECIFIED:

0 PLC	±-
1 PLC	±0.1
2 PLC	±0.02
3 PLC	±0.005
4 PLC	±0.0005
ANGLES	±-

MATERIAL -

FINISH -

DWN M. MAEBASHI 07NOV2008

CHK T. SAKAMOTO 07NOV2008

APVD A. OISHI 07NOV2008

PRODUCT SPEC

108-78268, 78298

APPLICATION SPEC

114-5377

WEIGHT -

CUSTOMER DRAWING



NAME
**DYNAMIC D1500T 3.5mmPITCH
 TAB HSG (PANEL MOUNT TYPE)
 6-36POS**

SIZE	CAGE CODE	DRAWING NO	RESTRICTED TO
A3	00779	C=2040404	-

SCALE	SHEET	OF	REV
2:1	2	2	B