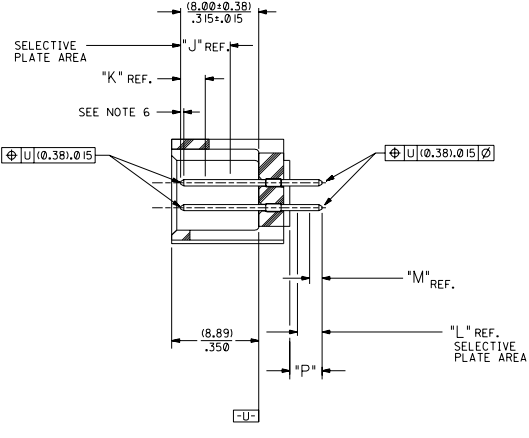


RECOMMENDED P.C. BOARD HOLE LAYOUT



SECTION J-J

NOTES:

- 1- 20 CIRCUIT SIZE SHOWN FOR ILLUSTRATION PURPOSES.
- 2- PIN PUSHOUT FORCE: (17.79 N)/4 LBS.
- 3- PINS MUST MEET SOLDERABILITY SPEC. MIL-STD-202 METHOD 208B.
- 4- WINDOW NOT AVAILABLE ON 6 AND 8 CIRCUIT SIZE.
- 5- FOR CHARTED DIMENSIONS AND ASSEMBLY NO.S NOT SHOWN ON THIS SHEET - SEE SHEET 2.
- 6- ROW TO ROW PIN HEIGHT VARIATION MUST NOT EXCEED (0.13)/.005 IN.
- 7- PRODUCT CONFORMS TO PS-8723.

MATERIAL:

SHROUDED WAFER: GLASS FILLED POLYESTER, 94V-0; COLOR: BLACK.
PINS: PHOSPHOR BRONZE, SEE SHEET 2 FOR FINISHES.

ASSEMBLY STYLE "A" AND "B"

C.R.T.	8723				
	DIM. "A"	DIM. "B"	DIM. "C"	DIM. "D"	DIM. "E"
06	(1.68) .066	(8.43) .332	(5.08) .200	(1.68) .066	
08	(1.68) .066	(10.97) .432	(7.62) .300	(1.68) .066	
10	(1.68) .066	(13.51) .532	(10.16) .400	(4.22) .166	
12	(1.68) .066	(16.05) .632	(12.70) .500	(4.22) .166	
14	(1.68) .066	(18.59) .732	(15.24) .600	(6.76) .266	
16	(1.68) .066	(21.13) .832	(17.78) .700	(6.76) .266	
18	(1.68) .066	(23.67) .932	(20.32) .800	(9.30) .366	
20	(1.68) .066	(26.21) 1.032	(22.86) .900	(1.68) .066	(19.46) .766
22	(1.68) .066	(28.75) 1.132	(25.40) 1.000	(1.68) .066	(22.00) .866
24	(1.68) .066	(31.29) 1.232	(27.94) 1.100	(1.68) .066	(24.54) .966
26	(1.68) .066	(33.83) 1.332	(30.48) 1.200	(1.68) .066	(27.08) 1.066
28	(1.68) .066	(36.37) 1.432	(33.02) 1.300	(1.68) .066	(29.62) 1.166
30	(1.68) .066	(38.91) 1.532	(35.56) 1.400	(1.68) .066	(32.16) 1.266
32	(1.68) .066	(41.45) 1.632	(38.10) 1.500	(1.68) .066	(34.70) 1.366
34	(1.68) .066	(43.99) 1.732	(40.64) 1.600	(1.68) .066	(37.24) 1.466
36	(1.68) .066	(46.53) 1.832	(43.18) 1.700	(1.68) .066	(39.78) 1.566
38	(1.68) .066	(49.07) 1.932	(45.72) 1.800	(1.68) .066	(42.32) 1.666
40	(1.68) .066	(51.61) 2.032	(48.26) 1.900	(1.68) .066	(44.86) 1.766
42	(1.68) .066	(54.15) 2.132	(50.80) 2.000	(1.68) .066	(47.40) 1.866
44	(1.68) .066	(56.69) 2.232	(53.34) 2.100	(1.68) .066	(49.94) 1.966
46	(1.68) .066	(59.23) 2.332	(55.88) 2.200	(1.68) .066	(52.48) 2.066
48	(1.68) .066	(61.77) 2.432	(58.42) 2.300	(1.68) .066	(55.02) 2.166
50	(1.68) .066	(64.31) 2.532	(60.96) 2.400	(1.68) .066	(57.56) 2.266
52	(1.68) .066	(66.85) 2.632	(63.50) 2.500	(1.68) .066	(60.10) 2.366
54	(1.68) .066	(69.39) 2.732	(66.04) 2.600	(1.68) .066	(62.64) 2.466
56	(1.68) .066	(71.93) 2.832	(68.58) 2.700	(1.68) .066	(65.18) 2.566
58	(1.68) .066	(74.47) 2.932	(71.12) 2.800	(1.68) .066	(67.72) 2.666
60	(1.68) .066	(77.01) 3.032	(73.66) 2.900	(1.68) .066	(70.26) 2.766
62	(1.68) .066	(79.55) 3.132	(76.20) 3.000	(1.68) .066	(72.80) 2.866
64	(1.68) .066	(82.09) 3.232	(78.74) 3.100	(1.68) .066	(75.34) 2.966
66	(1.68) .066	(84.63) 3.332	(81.28) 3.200	(1.68) .066	(77.88) 3.066
68	(1.68) .066	(87.17) 3.432	(83.82) 3.300	(1.68) .066	(80.42) 3.166
70	(1.68) .066	(89.71) 3.532	(86.36) 3.400	(1.68) .066	(82.96) 3.266
72	(1.68) .066	(92.25) 3.632	(88.90) 3.500	(1.68) .066	(85.50) 3.366

- U ADD -3803 OPT
DCP-2804-2268
DMORGAN 84705/20
- T LEAD FREE
USP2804-179
RW WHITE 84/04/26
- S ADD -3802 OPTION
ECN #10P2804-D02
DMORGAN 84/01/12
- R2 TAB DIF DIM 6 CIR
ECN #10T1999-0145
DMORGAN 58/09/01

- R1 ADD WDG LATCH NOTE
ECN #10T1998-0399
DMORGAN 58/06/23
- R ADDED SHEET 7
- O REMOVE FDP NO.S
PER ECR NO US8225
05-04-93 B.S.
- P CHGD WINDOW NOTES
PER ECR NO US30316
05-04-93 B.S.
- O CHANGED MATERIAL
PER ECR NO US3046
01-22-93 B.S.
- R2 REVISD A REDRAWN
PER ECR NO US2873
05-29-92 B.S.

DIMENSIONS SHOWN METRIC INCH		REVISIONS	
TITLE		REVISE ONLY ON CAD SYSTEM	
SALES ASSEMBLY		MFG. SH. REV.	
WAFER - STRAIGHT MT. FULLY SHROUDED .1000 GRID - FOR USE W/ .0025 SQ. PINS WITH .066 END WALLS		DATE	
MOLEX INCORPORATED		1 OF 7 92/07/17	
SEE CHART		SDA-8723-*****	
SCALE 4:1		DA D	

