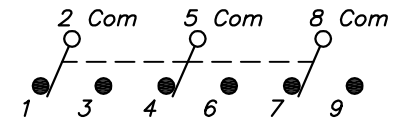
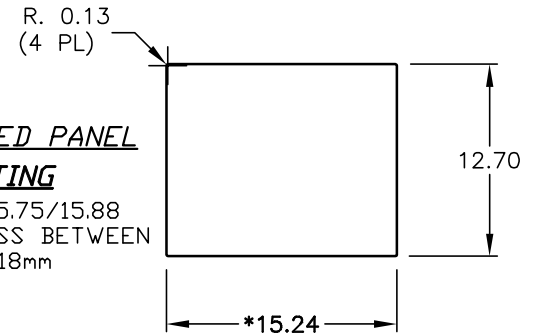
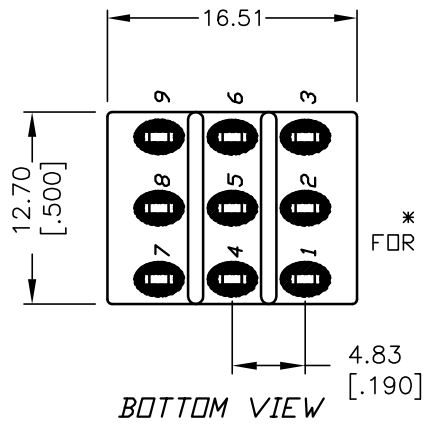
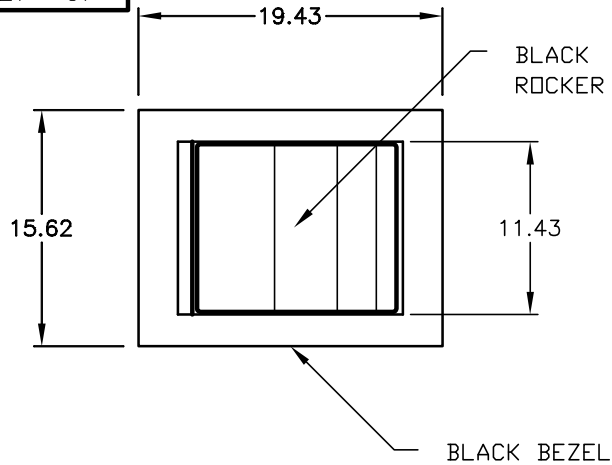
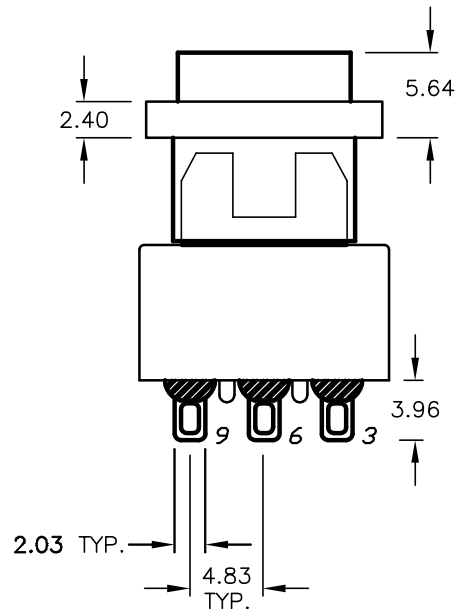
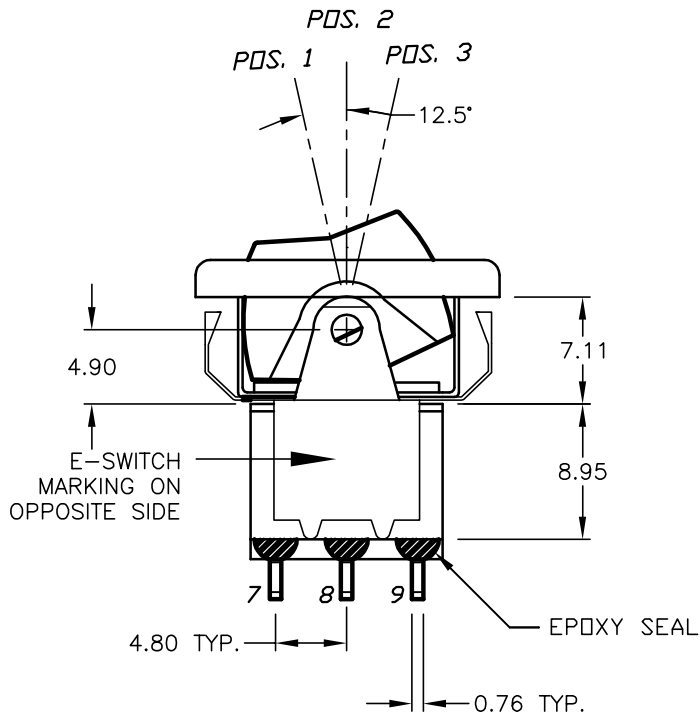


SHEET OF



SWITCH FUNCTION		
PDS. 1	PDS. 2	PDS. 3
(ON)	OFF	(ON)
2-3,5-6,8-9	OPEN	2-1,5-4,8-7



NOTES:

- ALL DIMENSIONS IN MM
- GENERAL TOLERANCE: X.X=±0.4
X.XX=±0.25
- TERM. NOS. FOR REF. ONLY
- RATING: 5A @120VAC OR 28VDC
2A @250VAC
- MATERIAL: FIXED TERMINAL & MOVING CONTACT
Copper Alloy w/Silver Plate
- CONTACT RESISTANCE: 10mILLI Ohms max initial
@2-4VDC, 100mA for AG & AU
- ELECTRICAL LIFE: 50,000 make-and-break
cycles at full load.
- INSULATION RESISTANCE: 1,000M ohm min.
- DIELECTRIC STRENGTH: 1000V RMS @sea level
- OPERATING TEMP.: -30°C to 85°C

E-SWITCH®

TITLE				
3003P4R6BLKM1QE BLK				
SCALE	DATE	DR	DWG	REV
2:1	12/16/03	AR	T334000	A

A	13657	RELEASED FOR PRODUCTION	12/16/03	AR
REV.	ECN No.	DESCRIPTION	DATE	CHKD

THE INFORMATION CONTAINED IN THIS DOCUMENT IS PROPRIETARY TO E-SWITCH AND IS NOT TO BE COPIED OR TRANSFERRED