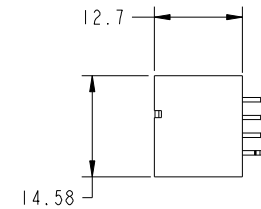
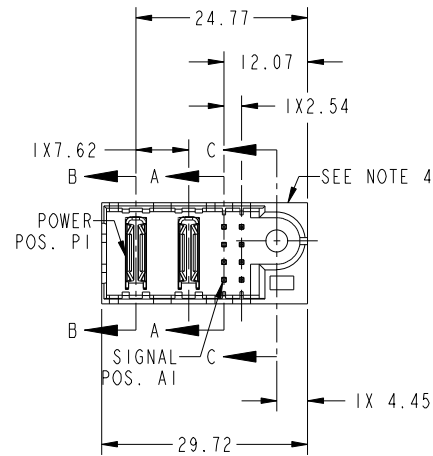


Tous droits strictement reserves. Reproduction ou communication a des tiers interdite sous quelque forme que ce soit sans autorisation écrite du propriétaire. Propriete de c FCI. Droits de reproduction FCI.



All rights strictly reserved. Reproduction or issue to third parties in any form whatever is not permitted without written authority from the proprietor. Property of FCI. Copyright FCI.

PRODUCT NO.	ROWS	POWER		SIGNAL		
		E1	P1	P2	1	2
51952-135-- NOTE ③	D C B A		PA	PA		



CODE	DIM "M" MATING LENGTH	CONTACT TYPE
PA	[N/A]	POWER
E	[6.86]	SIGNAL
HA	[N/A]	HOLD-DOWN
H	[5.59]	SIGNAL

mat'l code				tolerances unless otherwise specified		CUSTOMER			
ltr	ecn no.	dr	date	linear	0.X ± 0.3	COPY		www.fciconnect.com	
A	DG08-0209	JW	07/01/08	angles	0.XX ± 0.13	projection		title	
					0.XXX ± 0.051			2ACP + 8S	
				dr	0° ± 2°	MIM		VERTICAL SOLDER HEADER	
				enr	JULIA WANG 07/01/08	scale		product family PwrBlade code	
				chr	JEROME CHEN 07/01/08	1:1		size dwg no 213	
				appd	GARY HSIEH 07/01/08			sheet 1 of 4	
					JOSEPH HSIA 07/01/08			51952-135	
sheet index	revision sheet	A	A	A	A			cage code 22526	
		1	2	3	4				

Pro/E

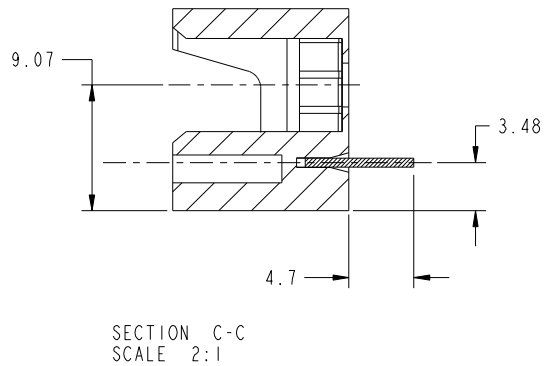
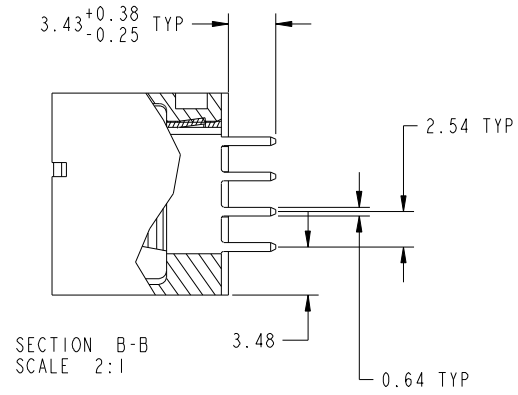
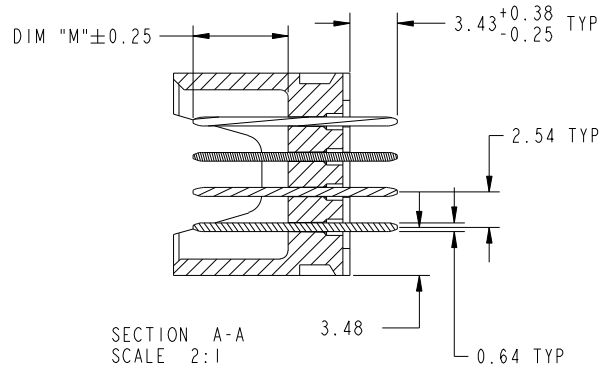
cage code 22526

Tous droits strictement reserves. Reproduction ou communication a des tiers interdite sous quelque forme que ce soit sans autorisation ecrite du proprietaire. Propriete de c FCI. Droits de reproduction FCI.

All rights strictly reserved. Reproduction or issue to third parties in any form whatever is not permitted without written authority from the proprietor. Property of FCI. Copyright FCI.



PRODUCT NUMBER
51952-135__
NOTE 3



mat'l code				tolerances unless otherwise specified		CUSTOMER		 www.fciconnect.com	
ltr	ecn no.	dr	date	linear	0.X ± 0.3	COPY		title	
A					0.XX ± 0.13	projection		2ACP + 8S VERTICAL SOLDER HEADER	
				angles	0.XXX ± 0.051			product family PwrBlade code	
		dr	JULIA WANG	07/01/08	0° ± 2°			size	213
		enr	JEROME CHEN	07/01/08		scale		dwg no	sheet
		chr	GARY HSIEH	07/01/08		1:1		A	51952-135
		appd	JOSEPH HSIA	07/01/08					2 of 4
sheet index	revision sheet								

Pro/E

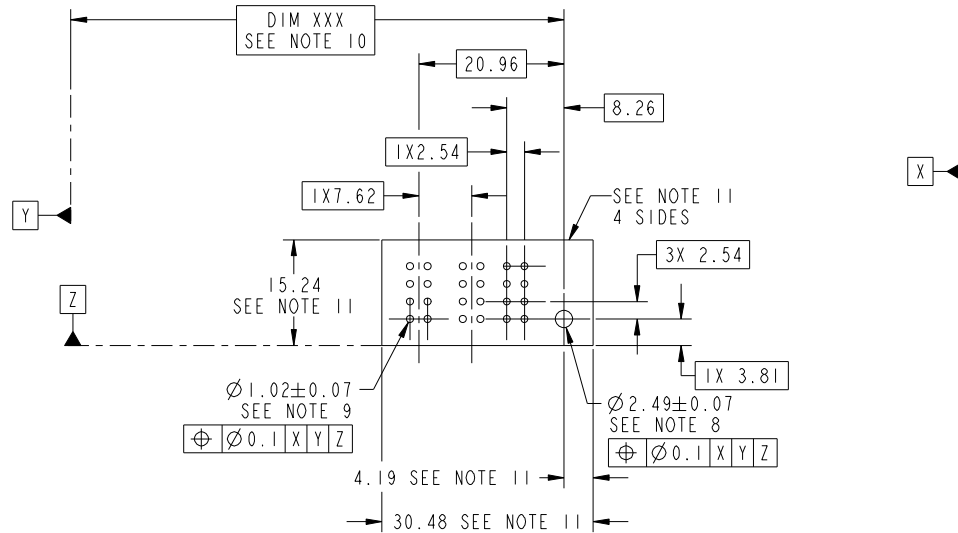
cage code 22526

Tous droits strictement reserves. Reproduction ou communication a des tiers interdite sous quelque forme que ce soit sans autorisation écrite du propriétaire. Propriete de c FCI. Droits de reproduction FCI.



All rights strictly reserved. Reproduction or issue to third parties in any form whatever is not permitted without written authority from the proprietor. Property of FCI. Copyright FCI.

PRODUCT NUMBER
51952-135__
NOTE 3



mat'l code				tolerances unless otherwise specified		CUSTOMER		FCI	
ltr	ecn no.	dr	date	linear	0.X ± 0.3	COPY		www.fciconnect.com	
A				linear	0.XX ± 0.13	projection		title	
				angles	0.XXX ± 0.051			2ACP + 8S VERTICAL SOLDER HEADER	
				dr	0° ± 2°	MIM		product family PwrBlade code	
				enr	JULIA WANG 07/01/08	scale		size dwg no	
				chr	JEROME CHEN 07/01/08	1:1		A 51952-135	
				appd	GARY HSIEH 07/01/08			sheet	
					JOSEPH HSIA 07/01/08			3 of 4	
sheet index	revision sheet								

cage code 22526

Pro/E

Tous droits strictement reserves. Reproduction ou communication a des tiers interdite sous quelque forme que ce soit sans autorisation écrite du propriétaire. Propriete de c FCI. Droits de reproduction FCI.

All rights strictly reserved. Reproduction or issue to third parties in any form whatever is not permitted without written authority from the proprietor. Property of FCI. Copyright FCI.



PRODUCT NUMBER
51952-135--
NOTE 3

NOTES:

1. DIMENSIONS AND TOLERANCES ARE IN ACCORDANCE WITH ASME Y14.5M, 1994 UNLESS OTHERWISE SPECIFIED.

CONNECTOR NOTES:

- 2 HOUSING MATERIAL: UL 94 V-0 GLASS FILLED
HIGH-TEMP THERMOPLASTIC
POWER CONTACT MATERIAL: COPPER ALLOY
SIGNAL PIN MATERIAL: COPPER ALLOY
 - 3. PLATING:
51952-135 ,51952-135LF PLATING SPEC. WAS SHOWN IN THE PRINT OF 10064183.
 - 4 MANUFACTURER'S NAME, P/N, AND DATE CODE TO APPEAR ON THIS SURFACE.
 - 5. PRODUCT SPECIFICATION GS-12-149.
APPLICATION SPECIFICATION BUS-20-067.
 - 6. PACKAGED IN TRAYS.
- PCB NOTES:
- 7. ALL HOLE DIAMETERS ARE FINISHED HOLE SIZE.
 - 8. MOUNTING HOLES, WHERE APPLICABLE, ARE UNPLATED.
 - 9 $\varnothing 1.151 \pm 0.025$ DRILLED HOLES PLATED WITH
0.008 MIN SnPb OR Sn OVER .001 [0.03]
TO 0.08 Cu PLATING TO ACHIEVE
 $\varnothing 1.02 \pm .07$ HOLE.
 - 10 "DIM XXX" TO BE DETERMINED BY THE CUSTOMER.
 - 11 CONNECTOR KEEP-OUT ZONE.

mat'l code				tolerances unless otherwise specified		CUSTOMER		FCI	
ltr	ecr no.	dr	date	linear	0.X ± 0.3	COPY		www.fciconnect.com	
A				projection	0.XX ± 0.13	title		2ACP + 8S	
				angles	0.XXX ± 0.051	VERTICAL SOLDER HEADER			
				dr	0° ± 2°	product family		PwrBlade	code
				enr	JULIA WANG 07/01/08	size		dwg no	213
				chr	JEROME CHEN 07/01/08	scale		51952-135	sheet
				appd	GARY HSIEH 07/01/08	1:1		4 of 4	
					JOSEPH HSIA 07/01/08	A			
sheet index	revision sheet								

cage code 22526

Pro/E