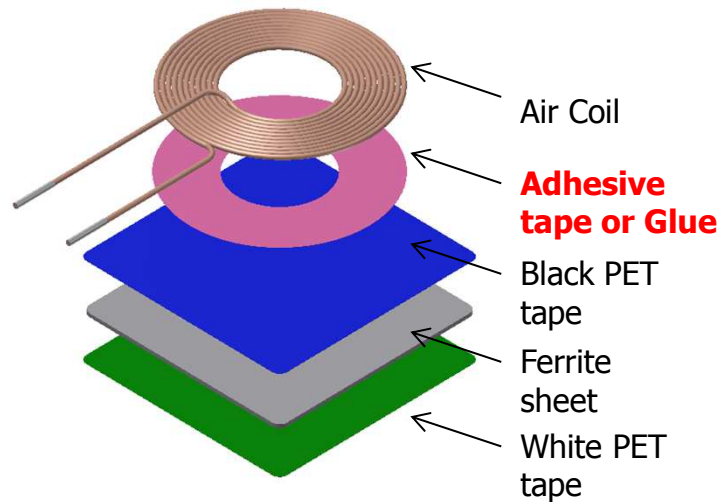


TDK P/N: : WT545490-11K2-FS

<Structure>



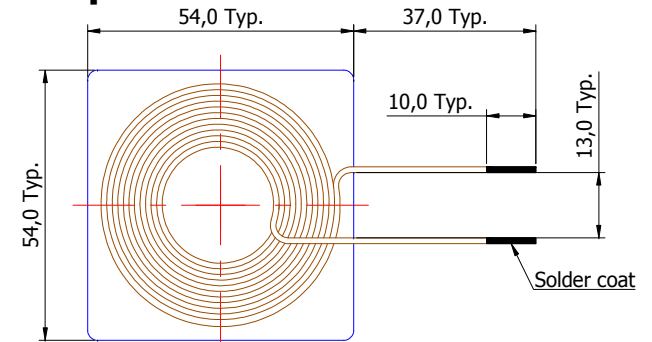
<Thickness>

Unit:mm		
Wireless charging Coil thickness (Include I/O)	Typ.	Max.
Coil+Resin	1.15	1.35
Coil+Resin	1.15	1.35
Adhesive Tape	0.03	0.03
PET Tape	0.05	0.05
Main sheet	0.90	0.99
PET Tape	0.05	0.05
Total	3.33	3.83

Unit:mm		
Wireless charging Coil thickness	Typ.	Max.
Coil+Resin	1.15	1.35
Adhesive Tape	0.03	0.03
PET Tape	0.05	0.05
Main sheet	0.90	0.99
PET Tape	0.05	0.05
Total	2.18	2.48

<Dimension for Product>

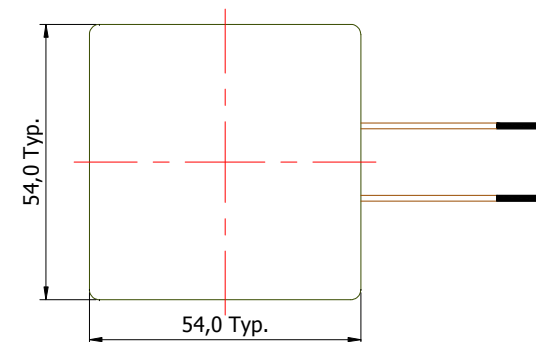
Top view



Side view



Bottom view



<Remark>

- Sheet material : FK2
- Sheet thickness : 0.90mm
- Wire Type : 0.06mm x 180
- Ts : 11

<Electrical Characteristics>

- Ls [uH] : 8.9 typ @100kHz
- Rs [ohm] : 0.06 typ @100kHz
- Q : 104.0 typ @100kHz
- Rdc [ohm]: 0.05 typ