

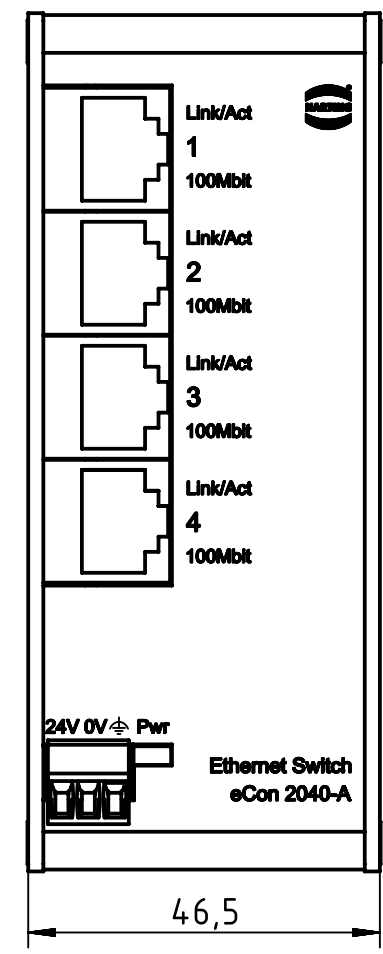
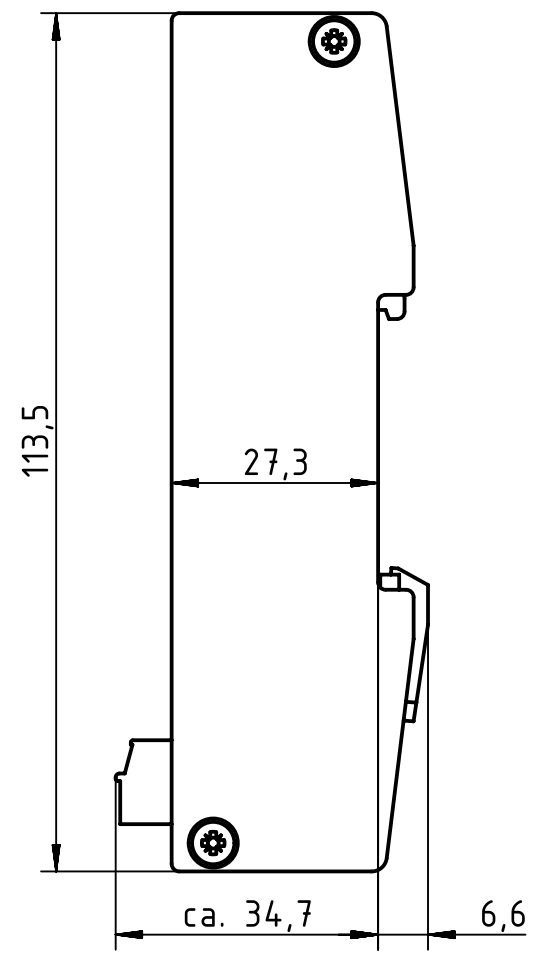
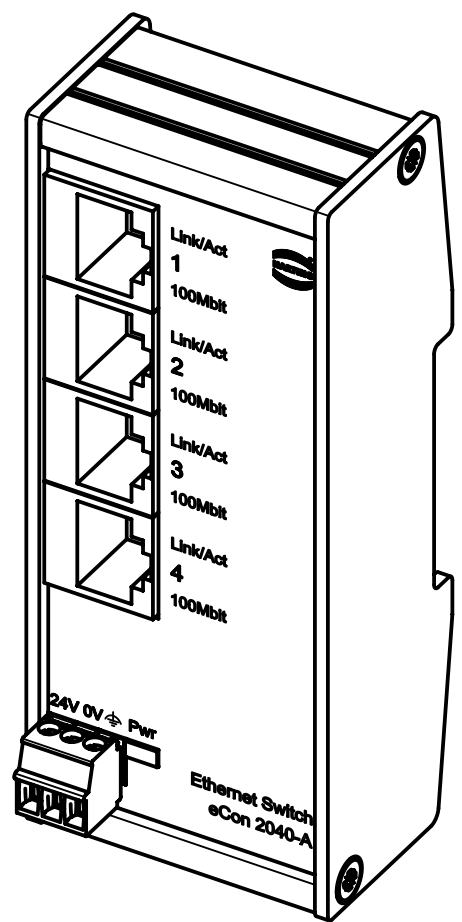
1 2 3 4 5 6

A

B

C

D



for mounting rail acc. to DIN EN 60715

	All rights reserved Department EL PD - DE	All Dimensions in mm Original Size DIN A4		Scale 1:1	Free size tol.		Ref. Sub. TB 20761043000 v. 12.08.09		
		Created by ILJIN	Inspected by LOETKEMANN	Standardisation SCHMIDTM	Date 2013-08-26	State Final Release		Doc-Key / ECM-Nr. 1001814.01/UGD/004/D 500000065682	
HARTING Electric GmbH & Co. KG D-32339 Espelkamp		Title Ha-VIS eCon 2040-A			Type TB	Number 20 76 104 3000		Rev. D	Page 1/1