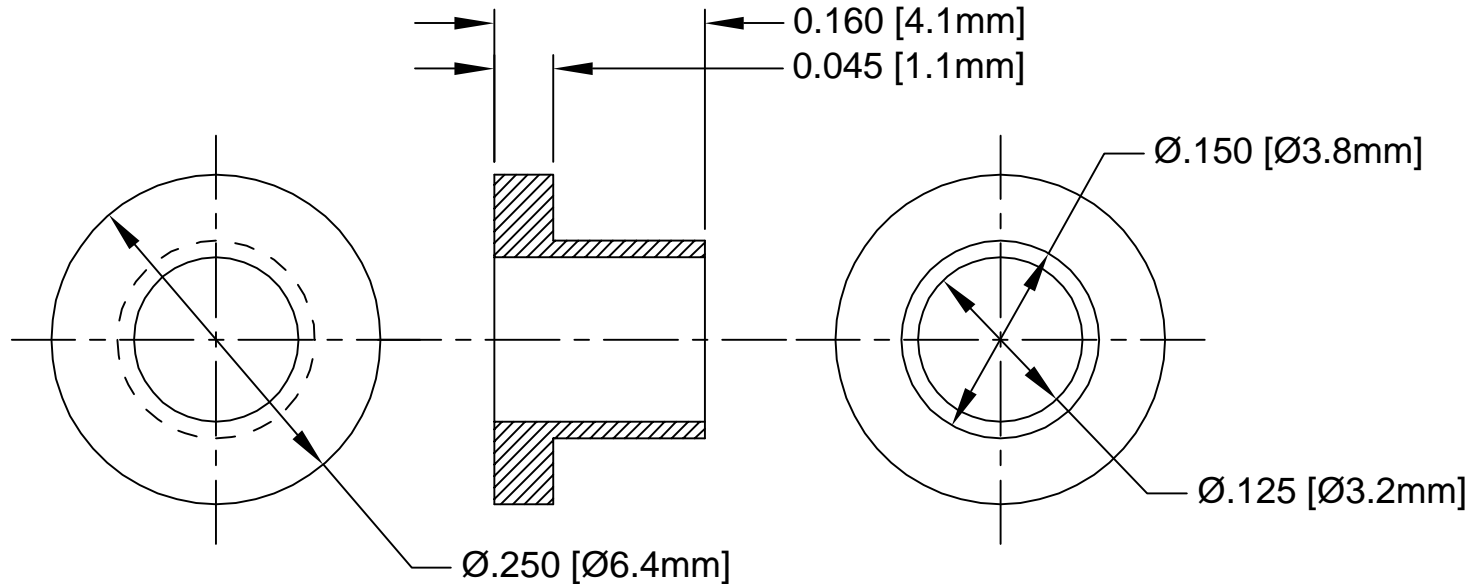



REV.	DESCRIPTION	DATE	APPROVED
B	Engineering Update w/o Changes	02/20/04	M. C.



2. MATERIAL: NYLON 6/6, 94V-2, NATURAL. BIVAR MATERIAL CODE 03-NL.
 BASF ULTRAMID NYLON 6/6 A3K NATURAL.

1. GENERAL SPECIFICATIONS: BIVAR MOLDED COMPONENT SPECIFICATION BV00-E101.

STANDARD TOLERANCE (UNLESS OTHERWISE SPECIFIED)		 4 THOMAS, IRVINE, CA. 92618 TEL: (949) 951-8808 FAX: (949) 951-3974			
DECIMALS	ANGULAR	TITLE: NYLON SHOULDER WASHER			
.X ± .1	X° ± 1°				
.XX ± .01					
.XXX ± .005		DESIGNED: Shane Irving	DATE: 11/10/98	PART NO: 405-160	REVISION: A
		CHECKED: D. Green	DATE: 02/20/04	CAGE CODE : 32559	SHEET # 1 OF 1
CAD GENERATED DOCUMENT, DO NOT MEASURE DRAWING.					