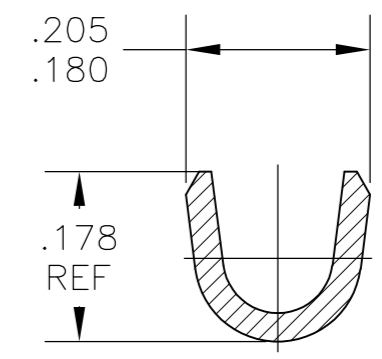
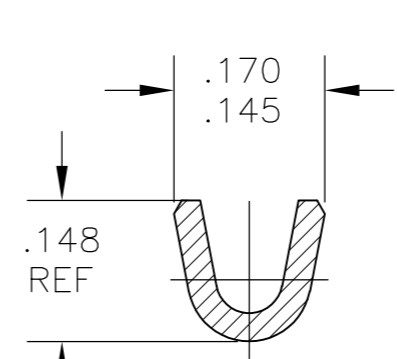
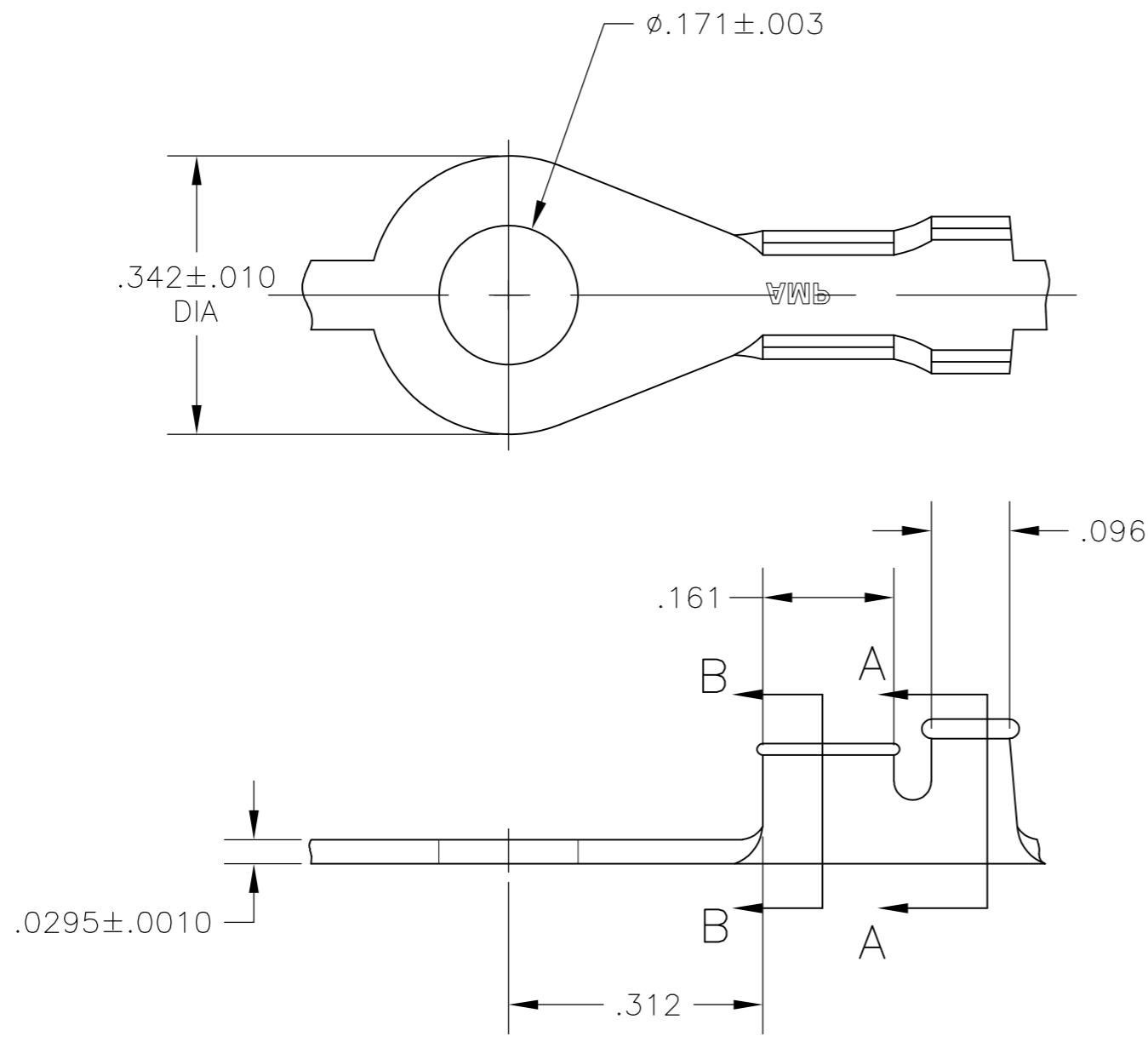


THIS DRAWING IS UNPUBLISHED. RELEASED FOR PUBLICATION
 © COPYRIGHT BY TYCO ELECTRONICS CORPORATION. ALL INTERNATIONAL RIGHTS RESERVED.

LOC	DIST	REVISIONS					
		P	LTR	DESCRIPTION	DATE	DWN	APVD
AF	50		B	REVISED PER ECR-08-007819	19NOV08	HMR	DD

- 1 CONTINUOUS STRIP ON REELS
- 2 WIRE SIZE IS #20-#16 AWG
- 3 INSULATION RANGE IS .100-.140 DIA



SECTION B-B

SECTION A-A

41456
 PART NO

THIS DRAWING IS A CONTROLLED DOCUMENT.		DWN jr_ruth 10MAR06	Tyco Electronics Corporation Harrisburg, PA 17105-3608	
DIMENSIONS: INCHES		CHK D DECKER 10MAR06		
		APVD D DECKER 10MAR06	NAME	
TOLERANCES UNLESS OTHERWISE SPECIFIED:		PRODUCT SPEC	TERMINAL, RING	
0 PLC ± -		APPLICATION SPEC	SIZE	CAGE CODE
1 PLC ± -		WEIGHT	A3	00779
2 PLC ± -		CUSTOMER DRAWING	DRAWING NO C-41456	
3 PLC ± .010		SCALE	5:1	SHEET
4 PLC ± -		RESTRICTED TO	1 OF 1	
ANGLES ± 5'		REV	B	
MATERIAL T1 BRASS	FINISH TIN PLATING			