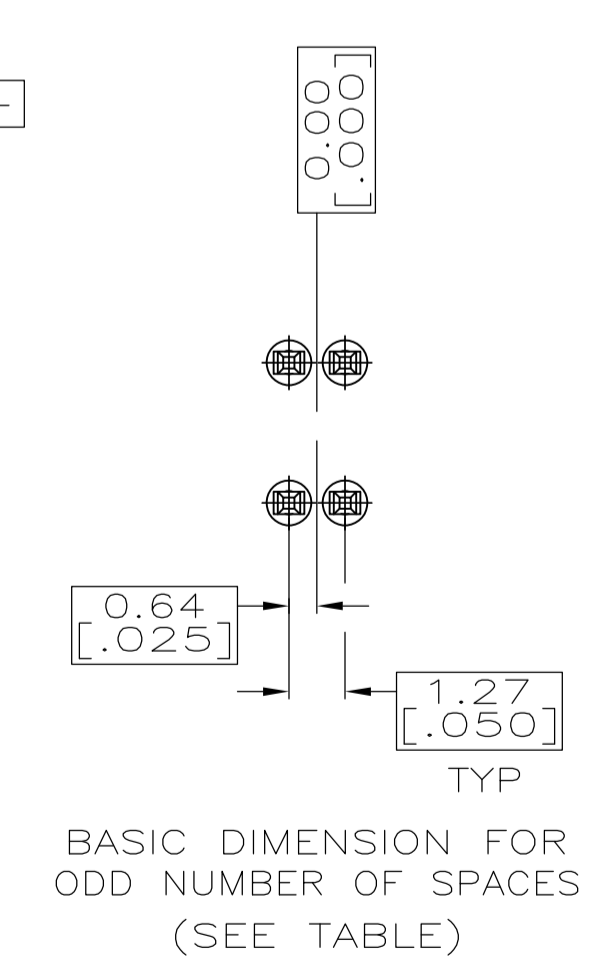
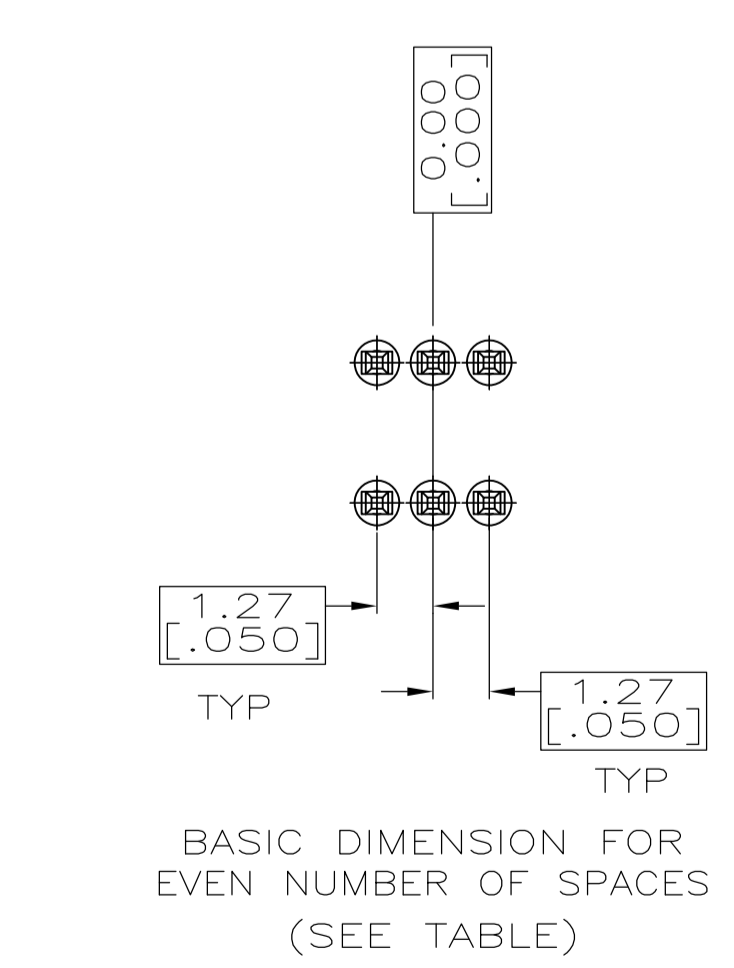
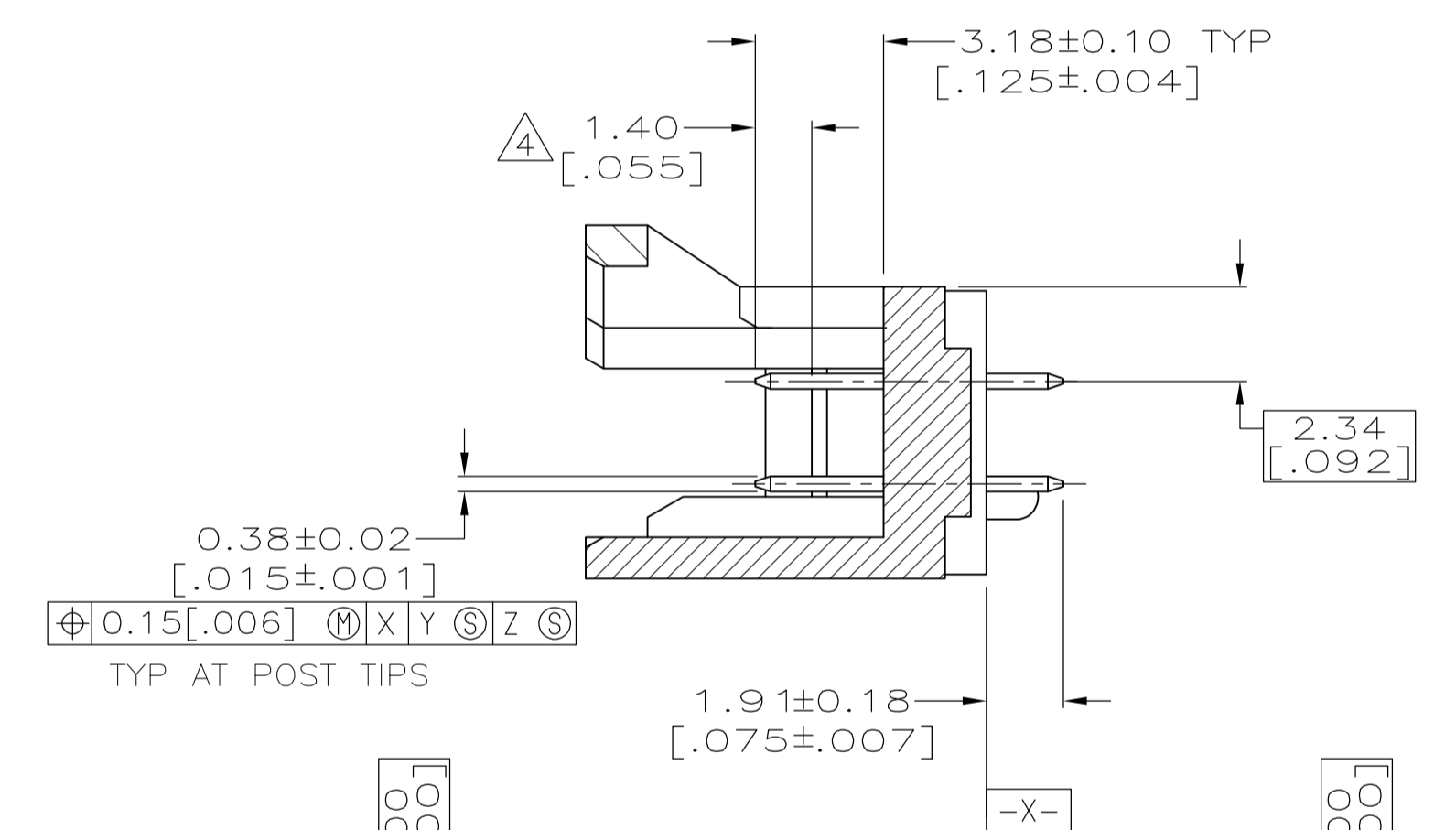
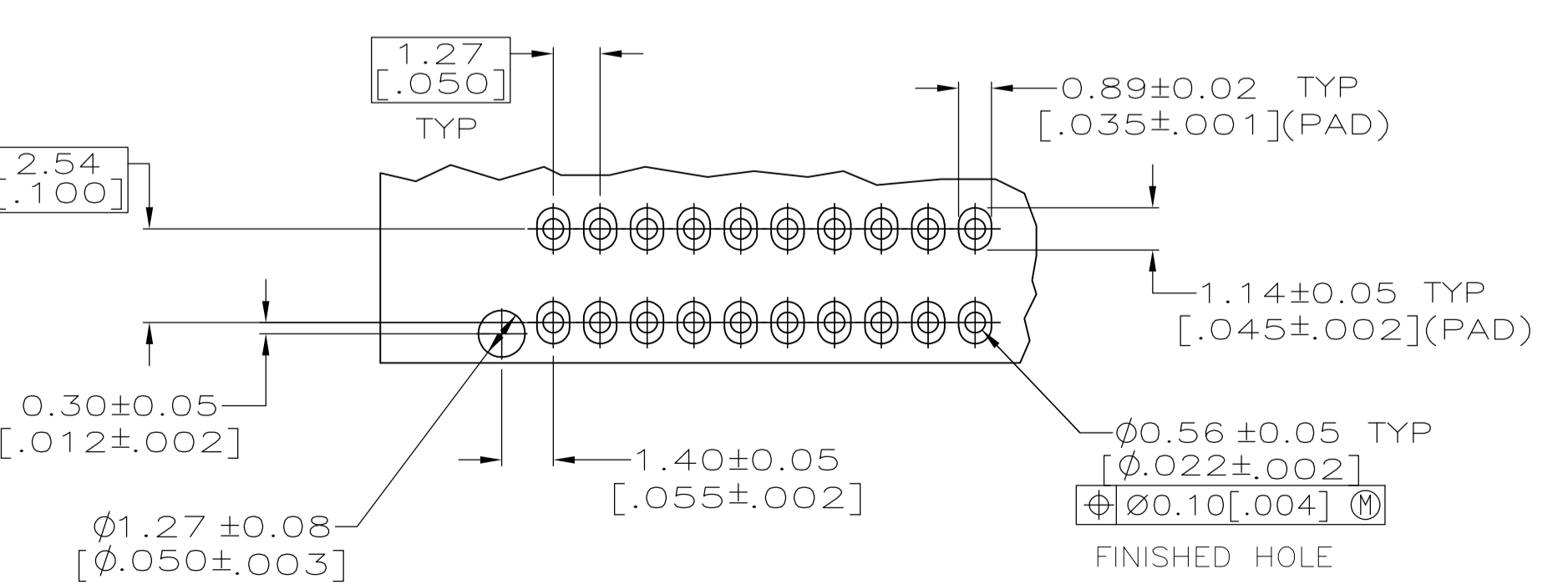
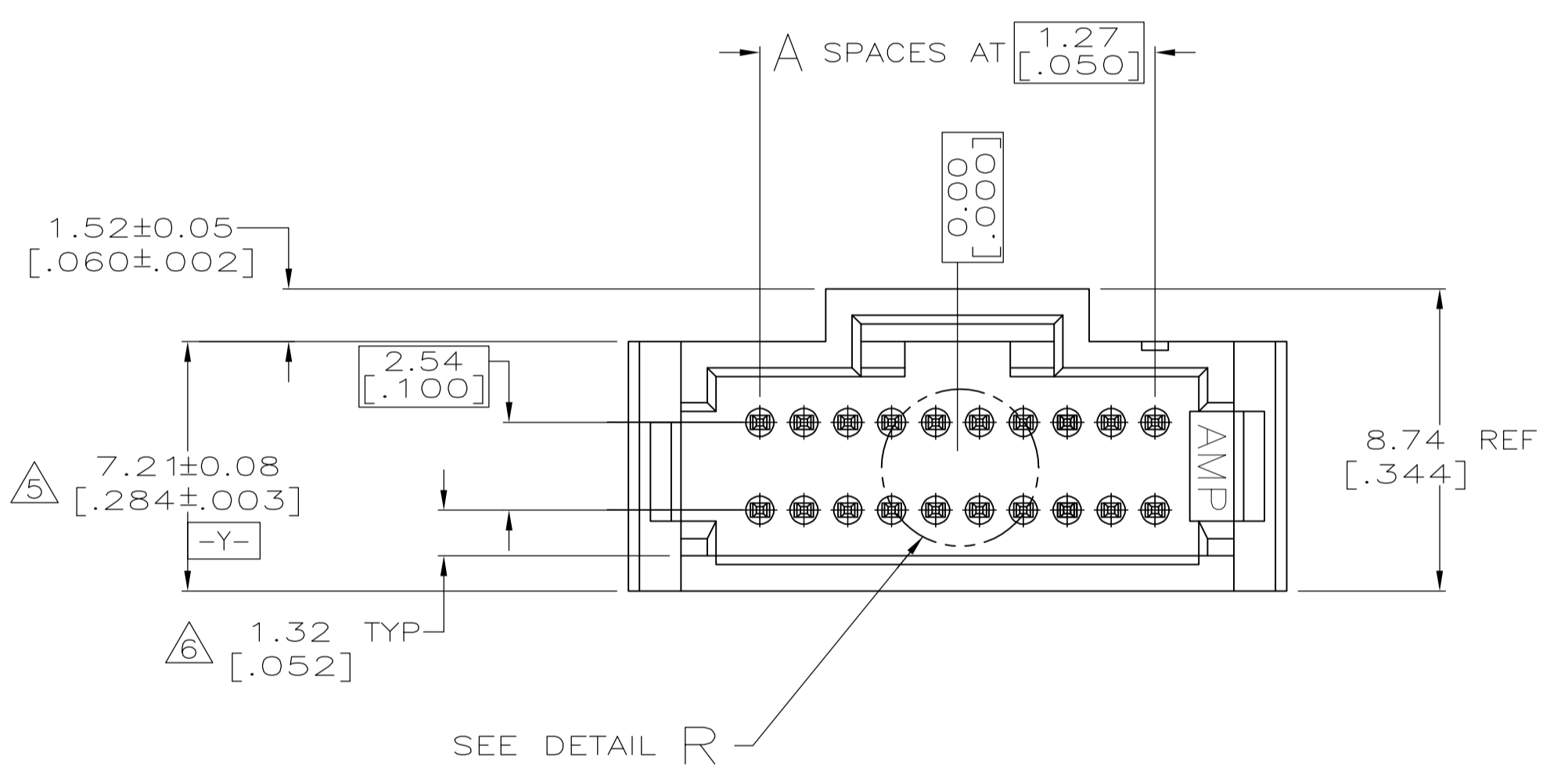
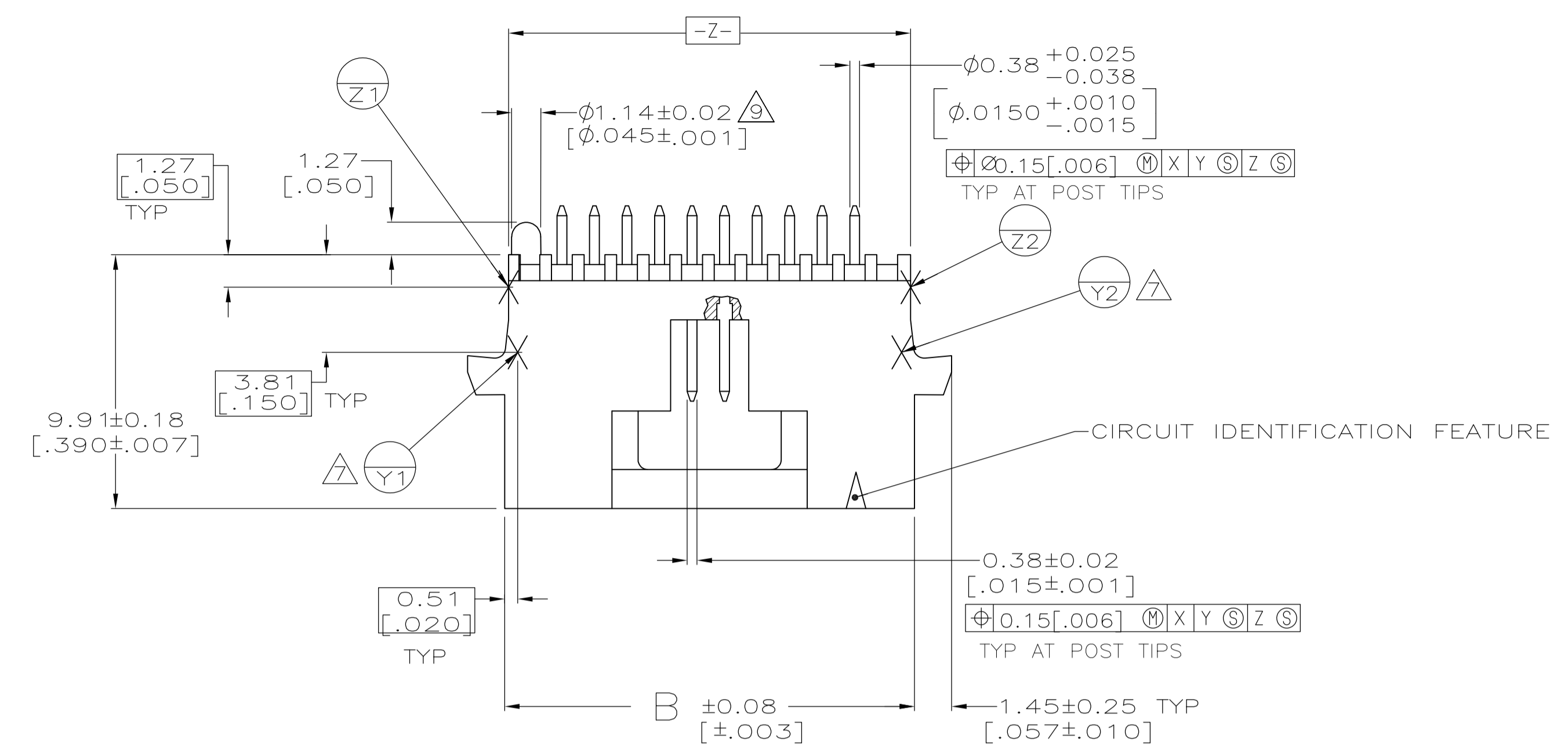


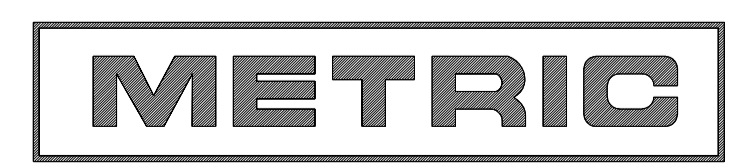
LOC		DIST		ZONE		LTR		REVISIONS		DATE	APPD
AD	39	P	F					J	REV PER OG3C-0551-04	21OCT04	JR/DS
								J1	REV PER ECO-10-003194	15FEB10	KK/HMR



DETAIL R

- ① FLAME RETARDANT THERMOPLASTIC, COLOR - BLACK
- ② COPPER ALLOY
- ③ CONTACT AREA PLATED WITH 0.00076[.000030] MIN GOLD, SOLDER TAILS PLATED WITH 0.00381[.000150] MIN TIN-LEAD, ALL OVER 0.00127[.000050] MIN NICKEL
- ④ POINT OF MEASUREMENT FOR PLATING THICKNESS
- ⑤ DIMENSION APPLIES AT BASE OF SHROUD
- ⑥ THE NOTED DIMENSION APPLIES AT THE INTERSECTION OF THE POST AND HOUSING
- ⑦ ③ ④ ARE LOCATED THE SAME AS ① ② EXCEPT ON OPPOSITE SIDE OF HOUSING
- ⑧ SAME AS 104864-1 EXCEPT PACKAGED ON G-PAX REELS.
- ⑨ DIMENSION FOR DIAMETER OF PEG APPLIES AT THE INTERSECTION OF THE TOP OF RIBS AND BASE OF PEG.
- ⑩ CONTACT AREA PLATED WITH 0.00076[.000030] MIN GOLD, SOLDER TAILS PLATED WITH 0.00381[.000150] MIN TIN, ALL OVER 0.00127[.000050] MIN NICKEL
- ⑪ OBSOLETE PARTS: OBSOLETE CIS STREAMLINING PER D.RENAUD/D.SINISI

⑪	19.81 [.780]	12	26	⑩	5-104864-5
OBSOLETE	22.35 [.880]	14	30	⑩	5-104864-4
	49.02 [1.930]	35	72	⑩	5-104864-3
OBSOLETE	-	-	-	⑩	5-104864-2
	41.40 [1.630]	29	60	⑩	5-104864-1
OBSOLETE	19.81 [.780]	12	26	③	104864-5
	22.35 [.880]	14	30	③	104864-4
OBSOLETE	49.02 [1.930]	35	72	③	104864-3
	-	-	-	③ ⑧	104864-2
OBSOLETE	41.40 [1.630]	29	60	③	104864-1
	B	A	NO OF POSN	PART NUMBER	



THIS DRAWING IS A CONTROLLED DOCUMENT FOR AMP INCORPORATED. IT IS SUBJECT TO CHANGE AND THE CONTROLLING ENGINEERING ORGANIZATION SHOULD BE CONTACTED FOR THE LATEST REVISION.

DO NOT SCALE PRINT. UNLESS SPECIFIED DIMENSIONS IN mm [INCHES]		TOLERANCES - ON :		PART NO	
2	PLC DEC ± 0.13[.005]	DR	11/17/92 J.MARTINELLI	AMP AMP Incorporated Harrisburg, PA 17105-3608	
3	PLC DEC ± -	CHK	11/20/92 BOB ELICKER	NAME	
ANGLES	± -	APPD	11/20/92 BOB ELICKER	HEADER ASSY, DBL-ROW, VERTICAL SHROUDED W/SIDE & END LATCHES, AMPMODU System 50	
MATERIAL		APPD	11/20/92 B.FLINCBAUGH	SIZE	CAGE CODE
HOUSING: ①		PRODUCT SPEC	108-1093	D	00779
CONTACTS: ②		APPLICATION SPEC	114-25031	DRAWING NO	104864
FINISH		WEIGHT	-	SCALE	6:1
SEE TABLE				SHEET 1 OF 1	