

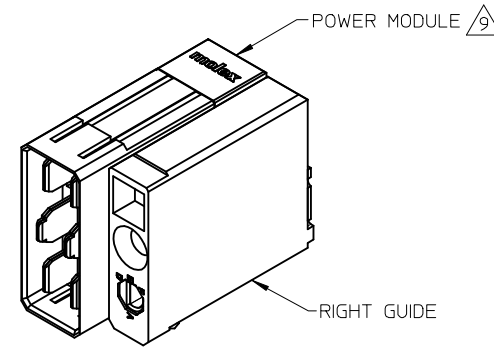
78455-**0*

PLATING OPTION	GUIDE LOCATION & ESD OPTION	*
TIN	RIGHT GUIDE WITH ESD	2
	RIGHT GUIDE WITHOUT ESD	4

*	POLARIZATION KEY ORIENTATION
0	NO KEY
1	A
2	B
3	C
4	D
5	E
6	F
7	G
8	H

*	POWER MODULE 1		
	BLADE LENGTH		
	P1	P2	P3
1	6.90	6.90	6.90
2	5.70	5.70	6.90
5	5.70	5.70	5.70
7	5.70	6.90	6.90

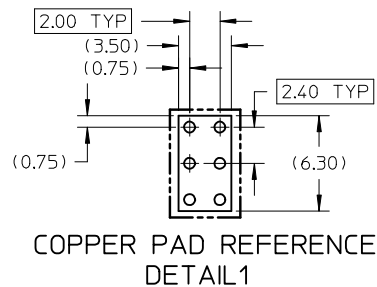
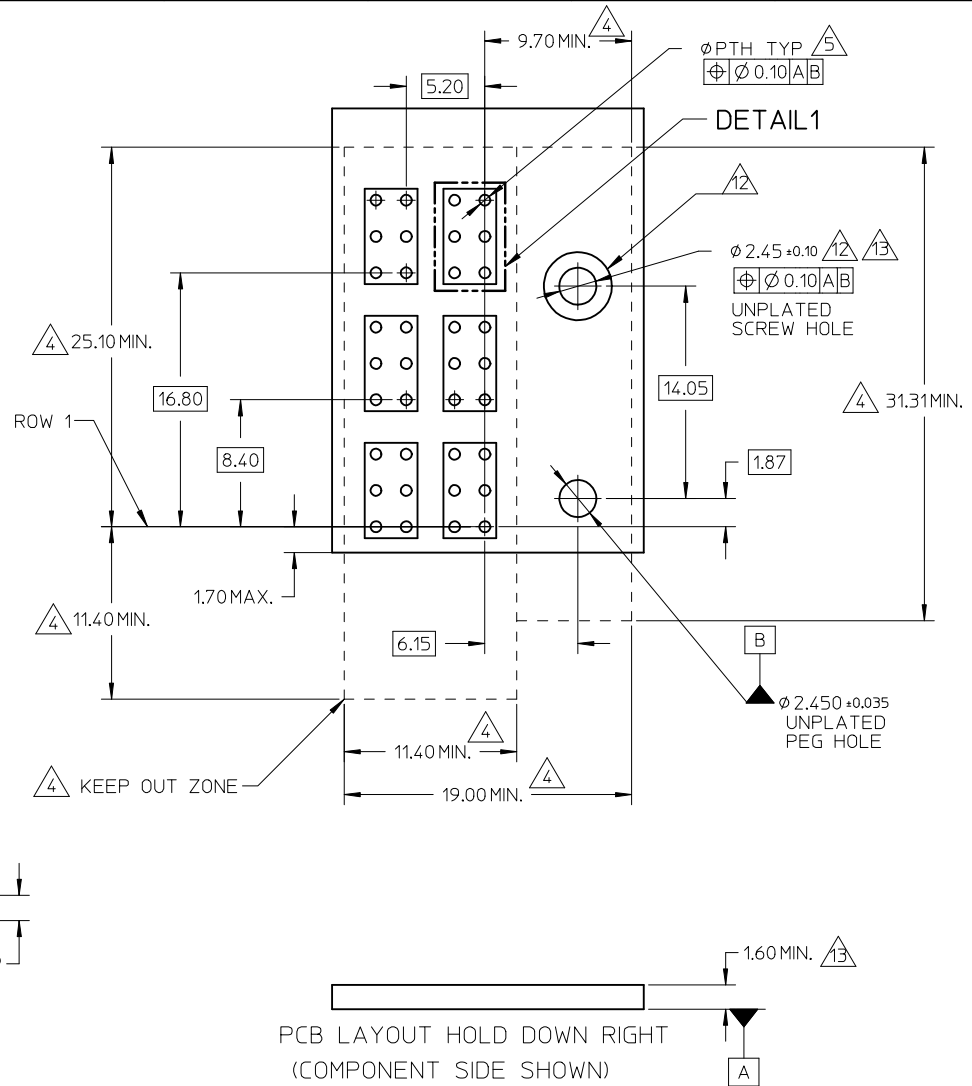
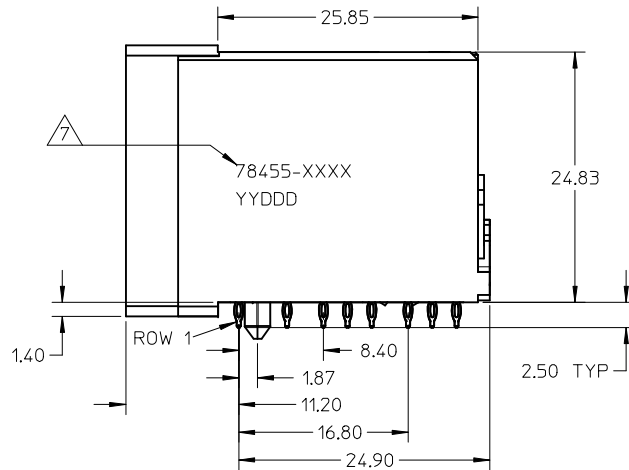
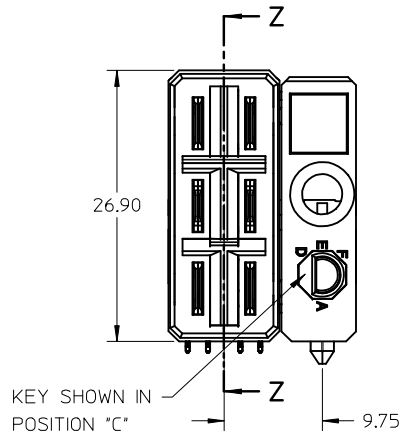
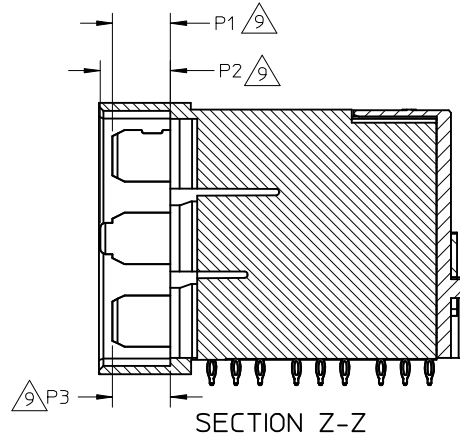
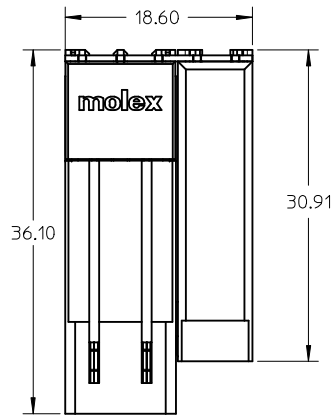
- NOTES:
- MATERIALS:
HOUSING - HIGH TEMP. THERMOPLASTIC, GLASS FILLED, UL94-V0,COLOR:BLACK.
POWER PIN - COPPER ALLOY.
 - FINISH:
POWER CONTACTS
0.76µm MINIMUM GOLD AT CONTACT AREA AND
2.54µm MINIMUM TIN AT SOLDER TAIL AREA
OVER 1.27µm MINIMUM NICKEL UNDERPLATE.
 - PRODUCT SPECIFICATION: PS-78213-001.
 - COMPONENT STAY AWAY ZONE FROM CONNECTOR.
 - REFER TO MOLEX PRODUCT SPECIFICATION PS-78213-001 FOR PLATED THROUGH-HOLE SPECIFICATIONS.
 - MATES WITH 78218-****.
 - PART NUMBER AND YEAR-DAY CODE. CAN BE AT THE OPPOSITE SIDE.
 - CONNECTORS ARE PACKED IN A TRAY.
 - REFER TO SD-78217-002 FOR DETAILS OF THE POWER MODULE .
 - ALL PARTS ARE SHIPPED WITH A 2-32 TYPE AB SELF-TAPPING SCREW PART NUMBER 73726-0000.
 - PACKAGING SPECIFICATION:
PK-78455-001 (1X MODULE WITH GUIDE MODULE)
 - FOR THE ESD GROUNDED GUIDE VERSION, USE DIA 2.45±0.10 (PTH), DIA 2.58 (DRILL), AND DIA 4.50 (PAD).
 - WHEN USING MOLEX SUPPLIED SCREW 73726-0000, THE MAXIMUM BOARD THICKNESS IS 4.4mm.



HEADER WITH RIGHT GUIDE (FIG. 1)

REMOVE TIN/LEAD OPTION EC NO: S2014-0872 DRWN: SHONG 2015/01/16 CHKD: HCGOH 2015/04/07 APPR: SHLENI 2015/04/07	QUALITY SYMBOLS F _A =0 F _G =0 F _P =0	GENERAL TOLERANCES (UNLESS SPECIFIED)		DIMENSION STYLE MM ONLY		SCALE NTS	DESIGN UNITS METRIC	THIRD ANGLE PROJECTION		
			mm	INCH	DRAWN BY CTCHO	DATE 2012/03/05	TITLE IMPACT POWER 6P HDR W/GUIDE MODULE R P/F ASSEMBLY SALES DRAWING			
		4 PLACES	± ---	± ---	CHECKED BY LNG	DATE 2012/03/05	MOLEX MOLEX INCORPORATED			
		3 PLACES	± ---	± ---	APPROVED BY SHONG	DATE 2012/03/22	MATERIAL NO. SEE TABLE		DOCUMENT NO. SD-78455-001	SHEET NO. 1 OF 3
			DRAFT WHERE APPLICABLE MUST REMAIN WITHIN DIMENSIONS		SIZE A3		THIS DRAWING CONTAINS INFORMATION THAT IS PROPRIETARY TO MOLEX INCORPORATED AND SHOULD NOT BE USED WITHOUT WRITTEN PERMISSION			

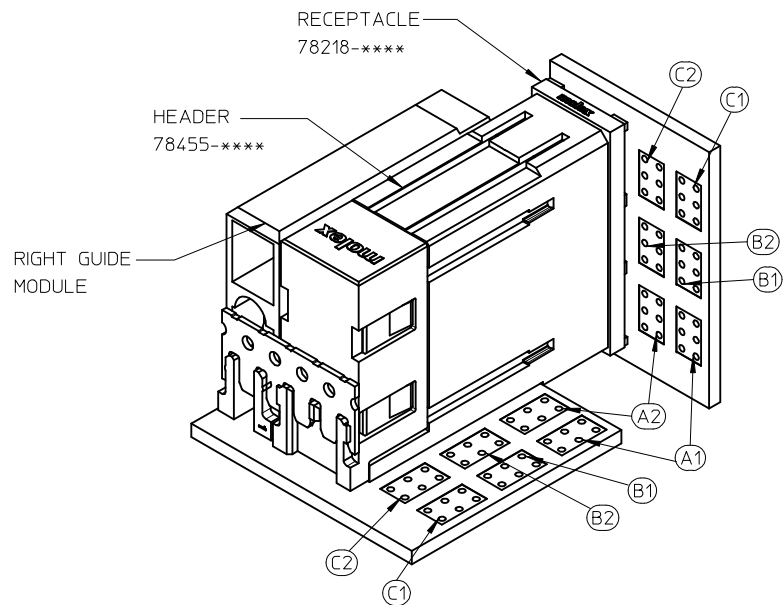
POWER MODULE WITH RIGHT GUIDE MODULE



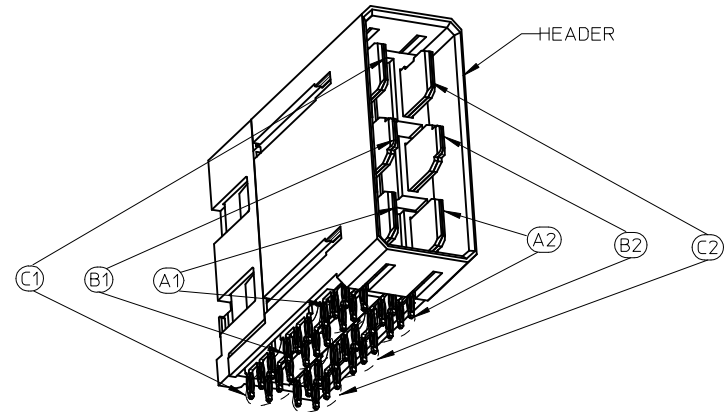
SEE SHEET 1	DESCRIPTION
EC NO: S2014-0872	2015/01/16
DRWN: SHONG	2015/04/07
CHKD: HCGOH	2015/04/07
APPR: SILENI	2015/04/07
REV	REV
A2	

QUALITY SYMBOLS	$\nabla_A = 0$
	$\nabla_C = 0$
$\nabla_P = 0$	
GENERAL TOLERANCES (UNLESS SPECIFIED)	
	mm INCH
4 PLACES	\pm --- \pm ---
3 PLACES	\pm --- \pm ---
2 PLACES	± 0.25 \pm ---
1 PLACE	\pm --- \pm ---
ANGULAR $\pm 3^\circ$	
DRAFT WHERE APPLICABLE MUST REMAIN WITHIN DIMENSIONS	

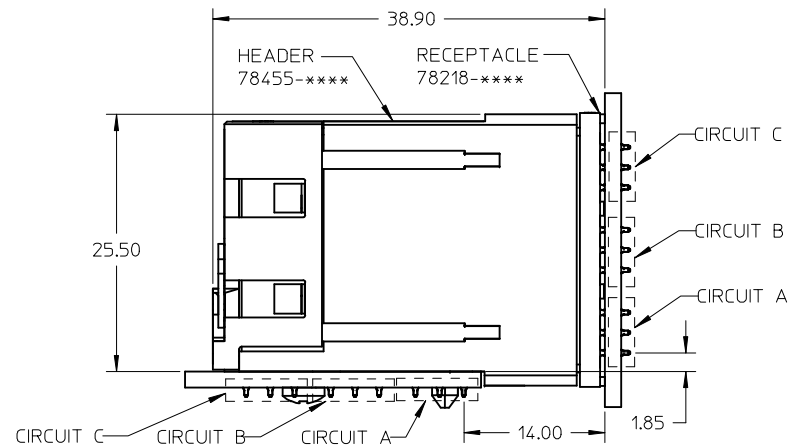
DIMENSION STYLE		SCALE	DESIGN UNITS	THIRD ANGLE PROJECTION
MM ONLY		NTS	METRIC	
DRAWN BY	DATE	TITLE		
CTCHO	2012/03/05	IMPACT POWER 6P HDR W/GUIDE MODULE R P/F ASSEMBLY SALES DRAWING		
CHECKED BY	DATE	MOLEX INCORPORATED		
LNG	2012/03/05	MATERIAL NO. SD-78455-001		
APPROVED BY	DATE	SHEET NO. 2 OF 3		
SHONG	2012/03/22	THIS DRAWING CONTAINS INFORMATION THAT IS PROPRIETARY TO MOLEX INCORPORATED AND SHOULD NOT BE USED WITHOUT WRITTEN PERMISSION		
SIZE	SEE TABLE			
A3				



RIGHT GUIDE:
1 POWER MODULE REMOVED TO
ILLUSTRATED CIRCUIT PATH OF MATED SYSTEM



PIN NUMBER ASSIGNMENT BASED ON HEADER SIDE:
A1, B1 ON THE LEFT
A2, B2 ON THE RIGHT



MATED SYSTEM OF 78218 & 78455

ENTER DESCRIPTION EC NO: S2014-0872 DRWN:SHONG 2015/01/16 CHKD:HCGOH 2015/04/07 APPR:SILENI 2015/04/07	QUALITY SYMBOLS FA=0 FC=0 FP=0	GENERAL TOLERANCES (UNLESS SPECIFIED)		DIMENSION STYLE MM ONLY		SCALE 2:1	DESIGN UNITS METRIC	THIRD ANGLE PROJECTION	
			mm	INCH	DRAWN BY CTCHO	DATE 2012/03/05	TITLE IMPACT POWER 6P HDR W/GUIDE MODULE R P/F ASSEMBLY SALES DRAWING		
		4 PLACES	± ---	± ---	CHECKED BY LNG	DATE 2012/03/05	molex		
		3 PLACES	± ---	± ---	APPROVED BY SHONG	DATE 2012/03/22			
2 PLACES	± 0.25	± ---	MATERIAL NO. 9999999999		DOCUMENT NO. SD-78455-001	SHEET NO. 3 OF 3			
1 PLACE	± ---	± ---	DRAFT WHERE APPLICABLE MUST REMAIN WITHIN DIMENSIONS						
0 PLACE	±	±	SIZE A3 THIS DRAWING CONTAINS INFORMATION THAT IS PROPRIETARY TO MOLEX INCORPORATED AND SHOULD NOT BE USED WITHOUT WRITTEN PERMISSION						