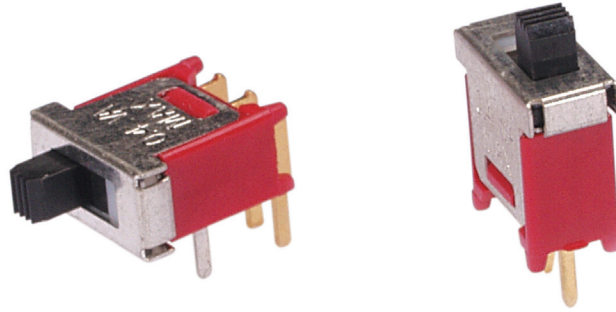


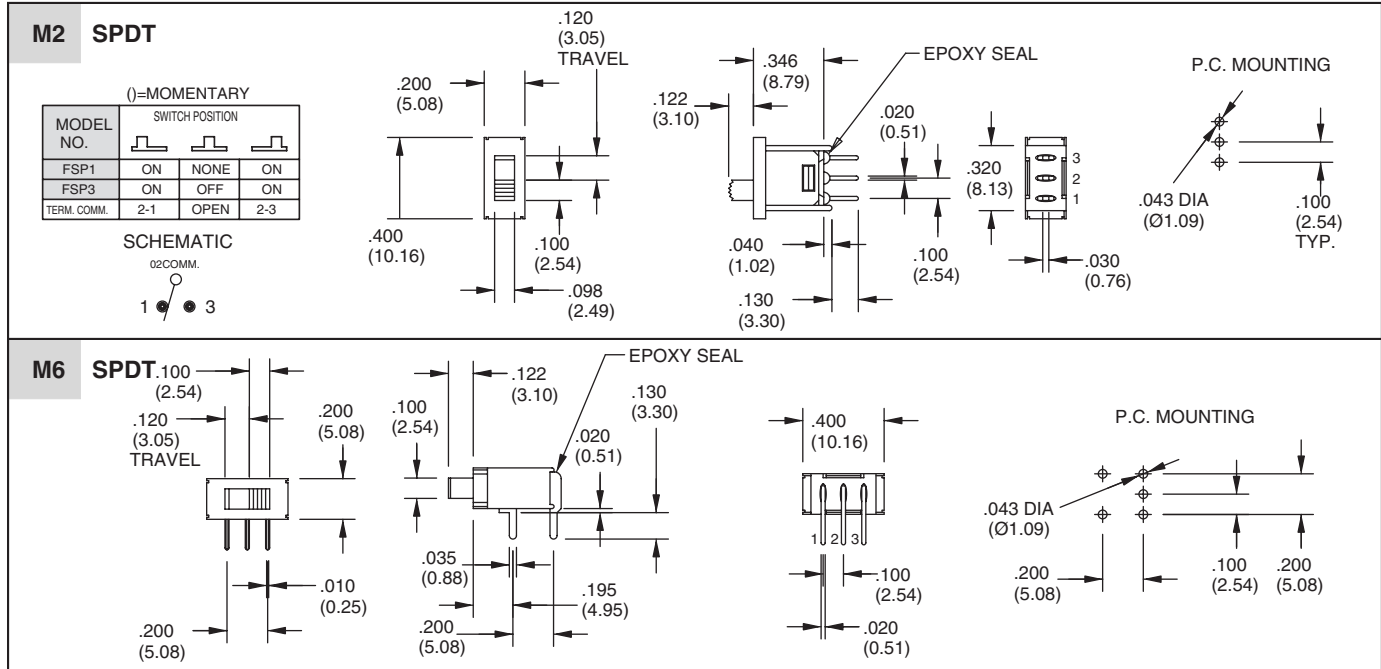
## SERIES 48B Sub-Miniature Slide Switches

### FEATURES

- Save Space and Weight
- SPDT Circuitry
- Choice of Terminations



### MODEL AND TERMINATION OPTIONS in inches (and millimeters)



### SPECIFICATIONS

#### RATINGS

**Contact Rating:** Q option - 3A with resistive load @ 125 VAC or 28 VDC; 1.5A with resistive load @ 250 VAC. R option - 0.4 VA max @ 20 Vmax (AC or DC)

**Electrical Life:** 30,000 make-and-break cycles at full load

**Contact Resistance:** 10 milliohms max. initial @ 2-4 VDC, 100 mA

**Insulation Resistance:** 1,000 megaohms min

**Dielectric Strength:** 1,000 V RMS @ sea level

**Operating Temperature:** -30°C to 85°C

#### MATERIALS

**Case:** Diallyl phthalate (DAP) (UL94V-0)

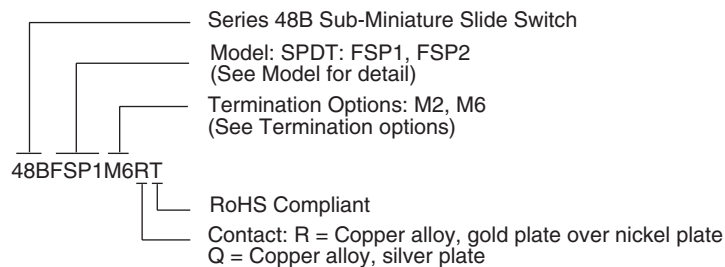
**Housing:** Stainless steel

**Switch Handle:** Nylon

**Terminal/Contacts:** Copper alloy with gold or silver plate

**Terminal Seal:** Epoxy

### ORDERING INFORMATION



Available from your local Grayhill Component Distributor. For prices and discounts, contact a local Sales Office, an authorized local Distributor or Grayhill.