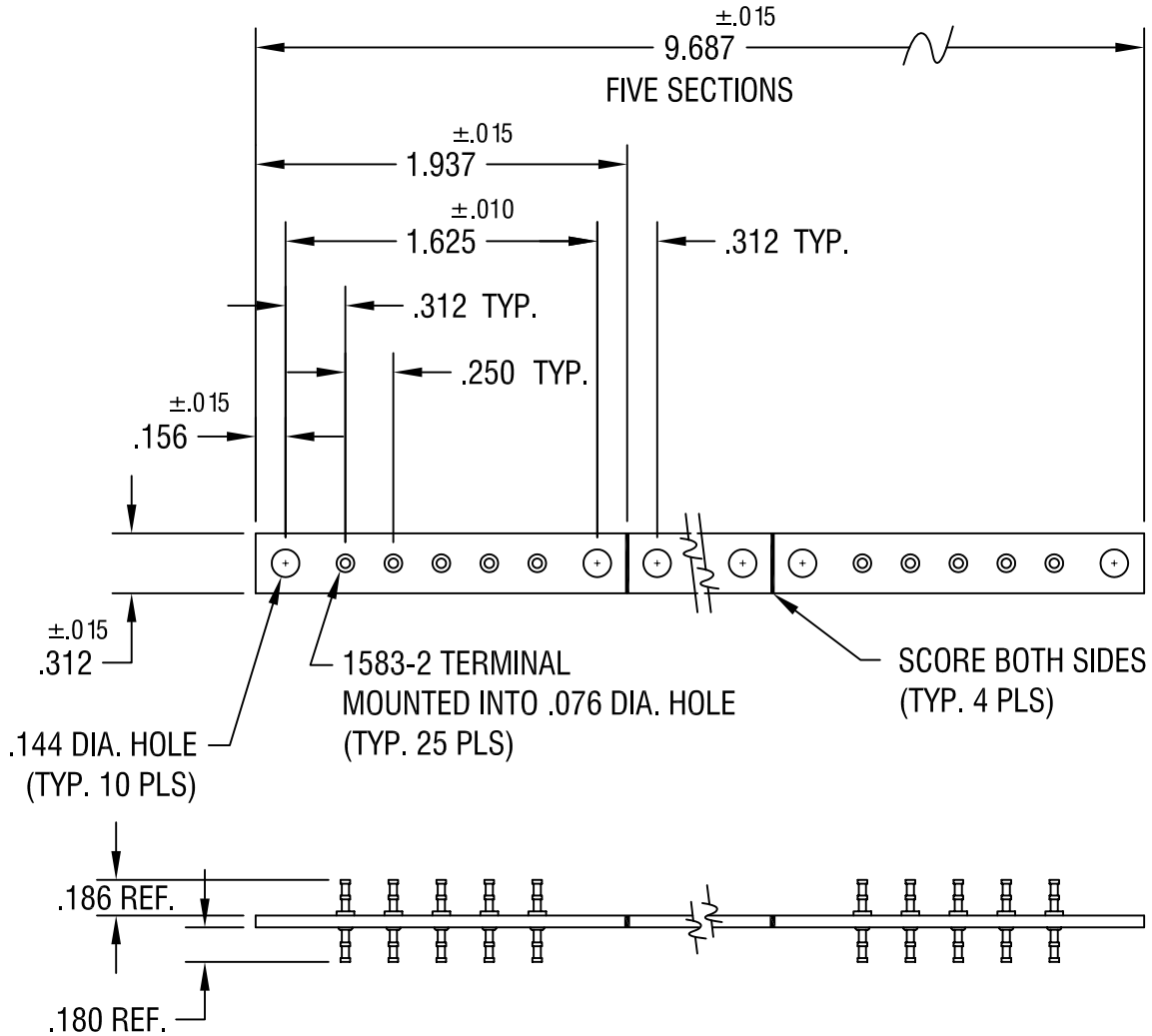


THIS DOCUMENT IS THE PROPERTY OF  
KEYSTONE ELECTRONICS CORP. AND  
SHALL NOT BE REPRODUCED, DISTRIBUTED  
OR USED AS A BASIS FOR MANUFACTURE  
WITHOUT PRIOR WRITTEN PERMISSION  
FROM KEYSTONE ELECTRONICS CORP.



**KEYSTONE ELECTRONICS CORP.**

ASTORIA, N.Y. 11105-2017

PART NAME

MINIATURE TURRET TERMINAL BOARD

MATERIAL

.062 TH'K PHENOLIC

FINISH

AS NOTED

DRN BY

BOONE

DATE

4.26.99

APP'D

LN

SCALE

1X

TOLERANCES

INCH [MM]

DECIMAL ± .005 [± 0.15]

ANGULAR ± 1°

UNLESS OTHERWISE SPECIFIED

CODE

C/M

DWG NO.

15087

5.5.05

REVISED

A

DATE

DESCRIPTION

REV.