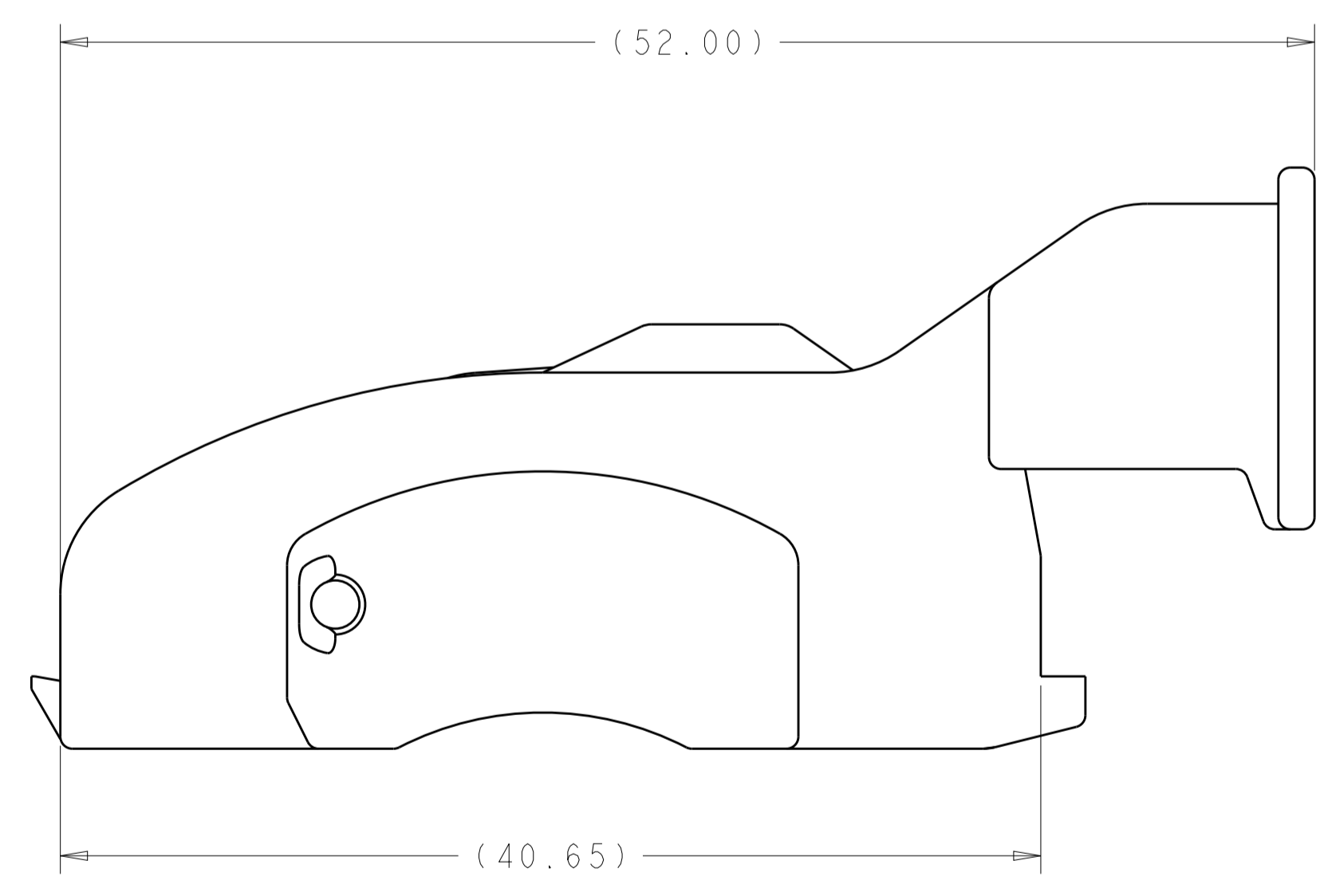
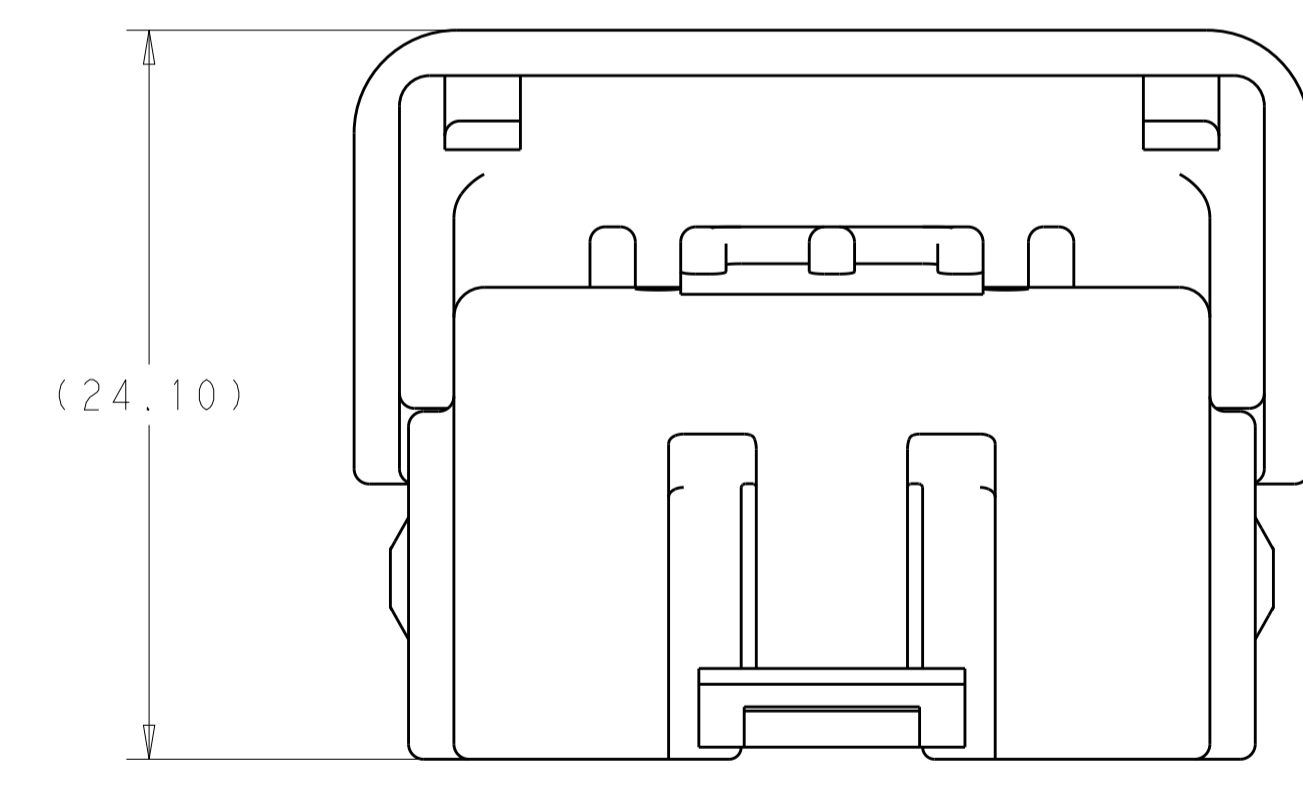
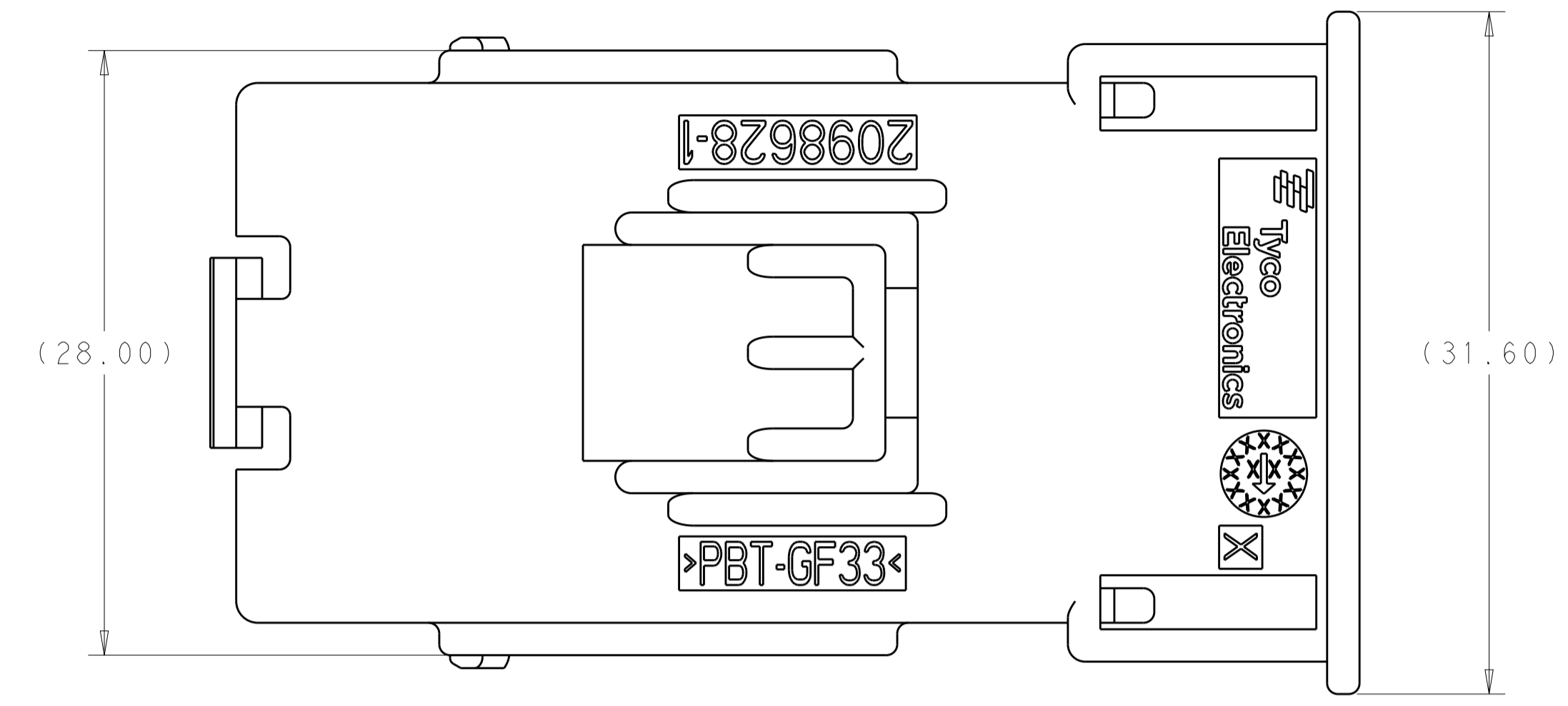
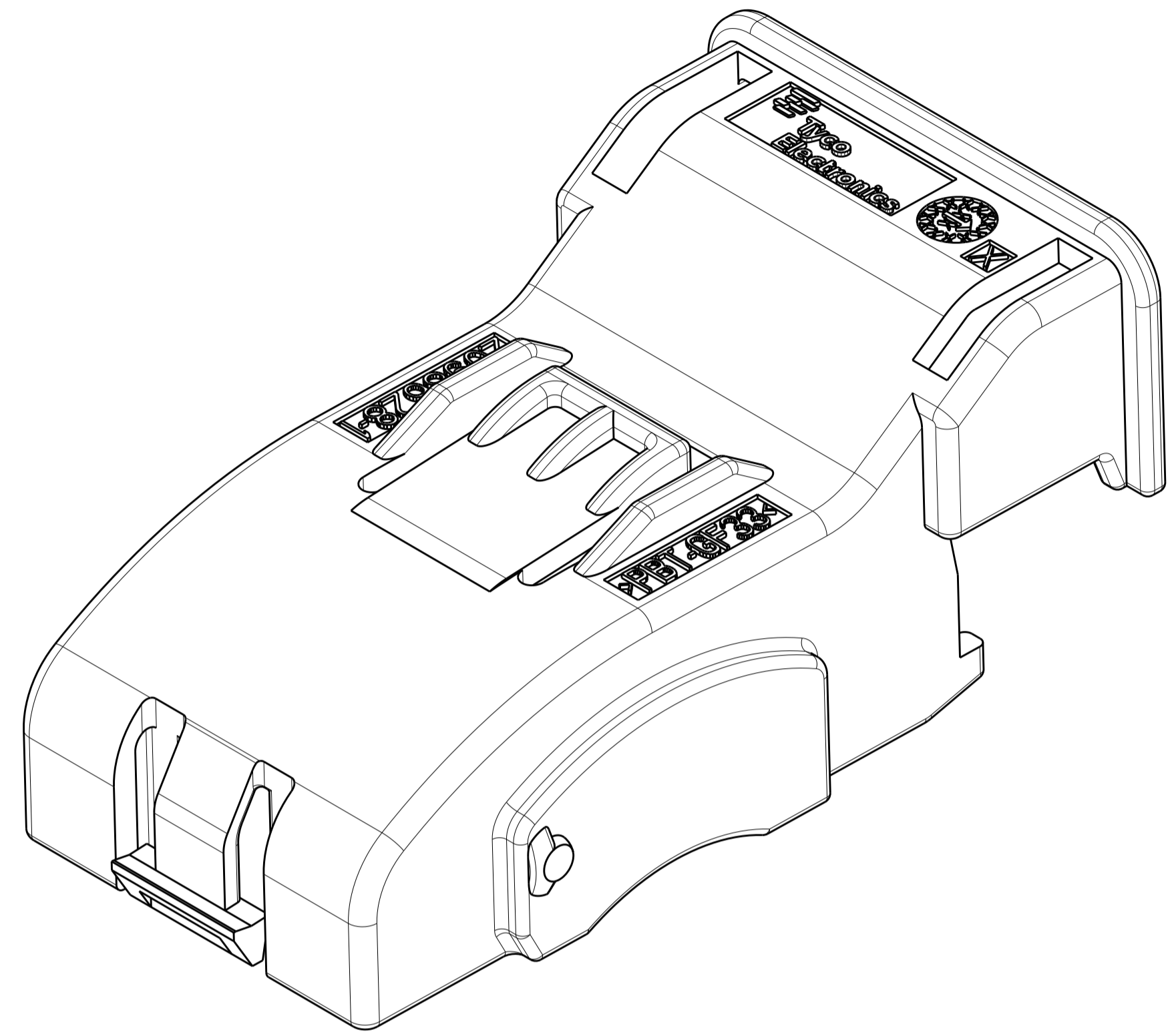


LOC		DIST		REVISIONS			
P	LTN	DESCRIPTION	DATE	DMN	APVD		
A		RELEASED	20FEB2012	MBH	RH		
B		REV PER ECO-12-019809	09NOV2012	MBH	RH		



- NOTES:  
 1. MATERIAL: PBT GLASS FILLED 33% (>PBT-GF33<)  
 2. MATING COMPONENT 2098627.

THIS DRAWING IS A CONTROLLED DOCUMENT.		DMN M. HITCHCOCK 20FEB2012	TE Connectivity NAME 22P UNSEALED HYBRID WIRE DRESS (12X 1.5, 7X 2.8, 3X 6.3)
DIMENSIONS:		CHK R. HETRICK 20FEB2012	
TOLERANCES UNLESS OTHERWISE SPECIFIED:		APVD R. HETRICK 20FEB2012	
mm		PRODUCT SPEC	
0 PLC	±0.0	APPLICATION SPEC	SIZE CAGE CODE DRAWING NO RESTRICTED TO
1 PLC	±0.3		A100779C=2098628
2 PLC	±0.1		SCALE 4:1 SHEET 1 OF 1 REV B
3 PLC	±0.0		
4 PLC	±0.0		
ANGLES	±0.0		
MATERIAL	FINISH	WEIGHT	